

TECHNICAL CHARACTERISTICS

MATERIAL
 ICONTACT MATERIAL: COPPER ALLOY
 CONTACT TYPE: STAMPED
 CONTACT PLATING: TIN
 QUALITY CLASS: 25 MATING CYCLES
 PITCH: FOR 3.00MM

ENVIRONMENTAL
 OPERATING TEMPERATURE: -25 UP TO 105°C
 COMPLIANCE: LEAD FREE AND ROHS

ELECTRICAL
 CURRENT RATING: 5A
 WORKING VOLTAGE: 250V AC
 INSULATOR RESISTANCE: >1000 MOHM
 DIELECTRIC WITHSTANDING VOLTAGE: 1500V AC/MN
 CONTACT RESISTANCE: 10 MOHM MAX

WIRE DIMENSION:
 AWG: AWG 20 - 24

PACKAGING
 REEL OF 10KPCS

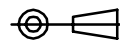
DIMENSION

AWG	A	B	C	D
20 - 24	2.50	2.95	2.30	2.00

RoHS Compliant

G	25-JAN-12	QUANTITY	GG
F	16-FEB-09	DRAW	JP
E	09-AUG-08	T&R DESCRIPTION	RB
D	30-JUN-08	QTY/REEL	CH
C	01-MAR-07	UPDATE	EC
B	04-DEC-06	DRAW/PACKAGING	JP
A	11-DEC-02	PDF	JP
REV	DATE	FILE	BY

PROJECTION:



APPROVAL: RJ

GENERAL TOLERANCE

.X = +/- 0.2

.XX = +/- 0.15

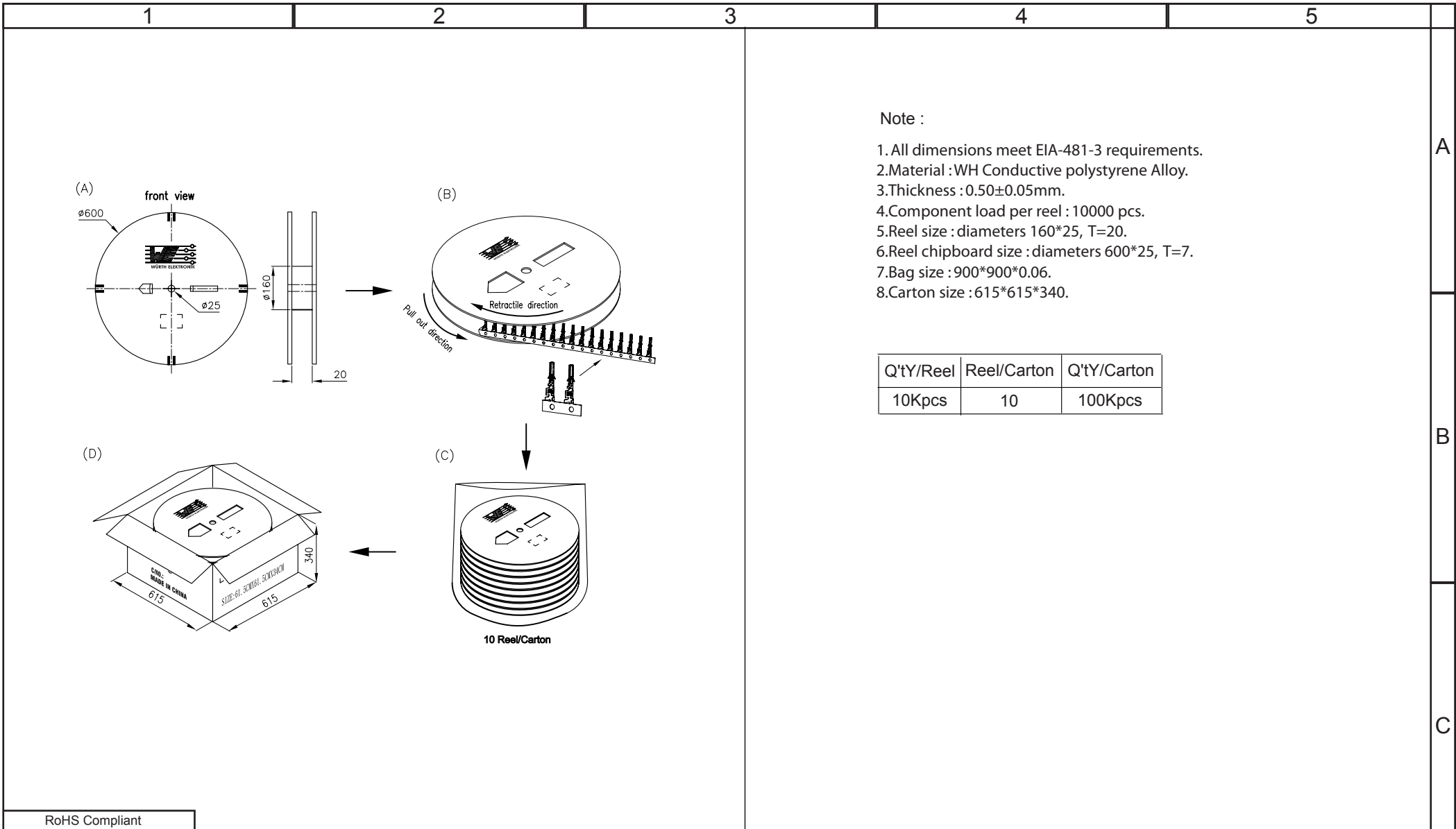


DESCRIPTION: 3.00MM FEMALE CRIMP TERMINAL

WERI PART NO: 66200113722

SIZE

A4

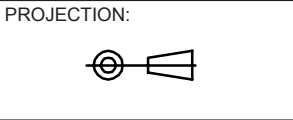


Note :

1. All dimensions meet EIA-481-3 requirements.
2. Material : WH Conductive polystyrene Alloy.
3. Thickness : 0.50±0.05mm.
4. Component load per reel : 10000 pcs.
5. Reel size : diameters 160*25, T=20.
6. Reel chipboard size : diameters 600*25, T=7.
7. Bag size : 900*900*0.06.
8. Carton size : 615*615*340.

Q'tY/Reel	Reel/Carton	Q'tY/Carton
10Kpcs	10	100Kpcs

RoHS Compliant			
G			
F			
E			
D			
C			
B			
A			
REV	DATE	FILE	BY



GENERAL TOLERANCE
.X = +/- 0.2
.XX = +/- 0.15



APPROVAL:

UNIT: MM
SCALE:
SHEET: 2/2
DRAW: MIKE

DESCRIPTION: 3.00MM FEMALE CRIMP TERMINAL
WERI PART NO: 6620 01 13722

SIZE
A4