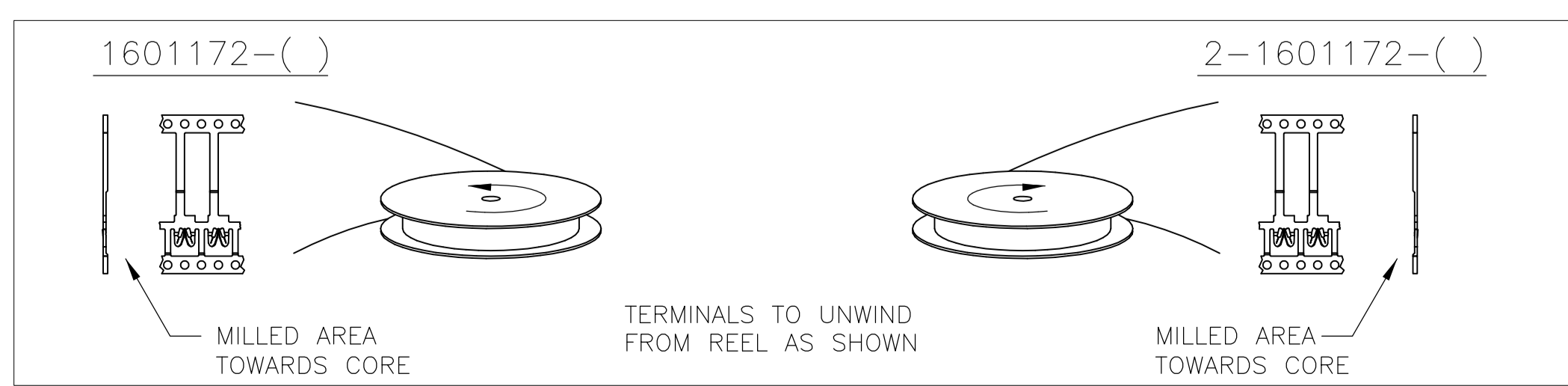
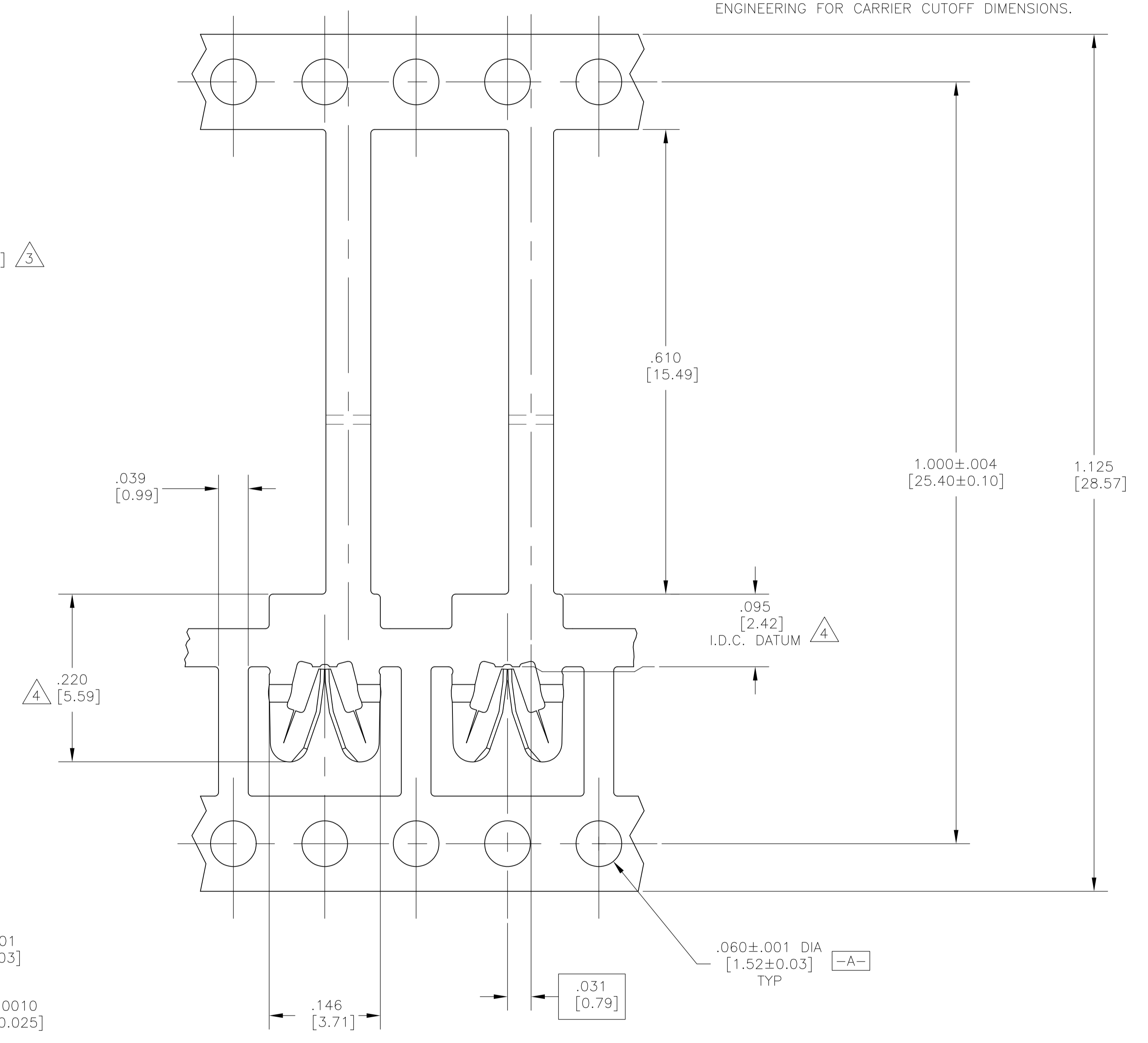
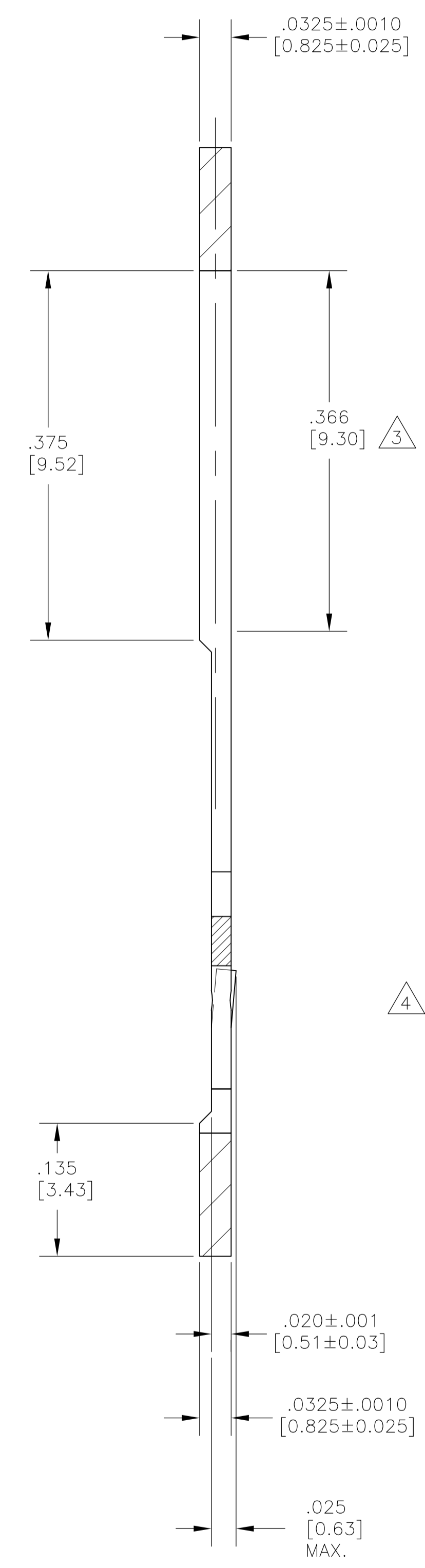
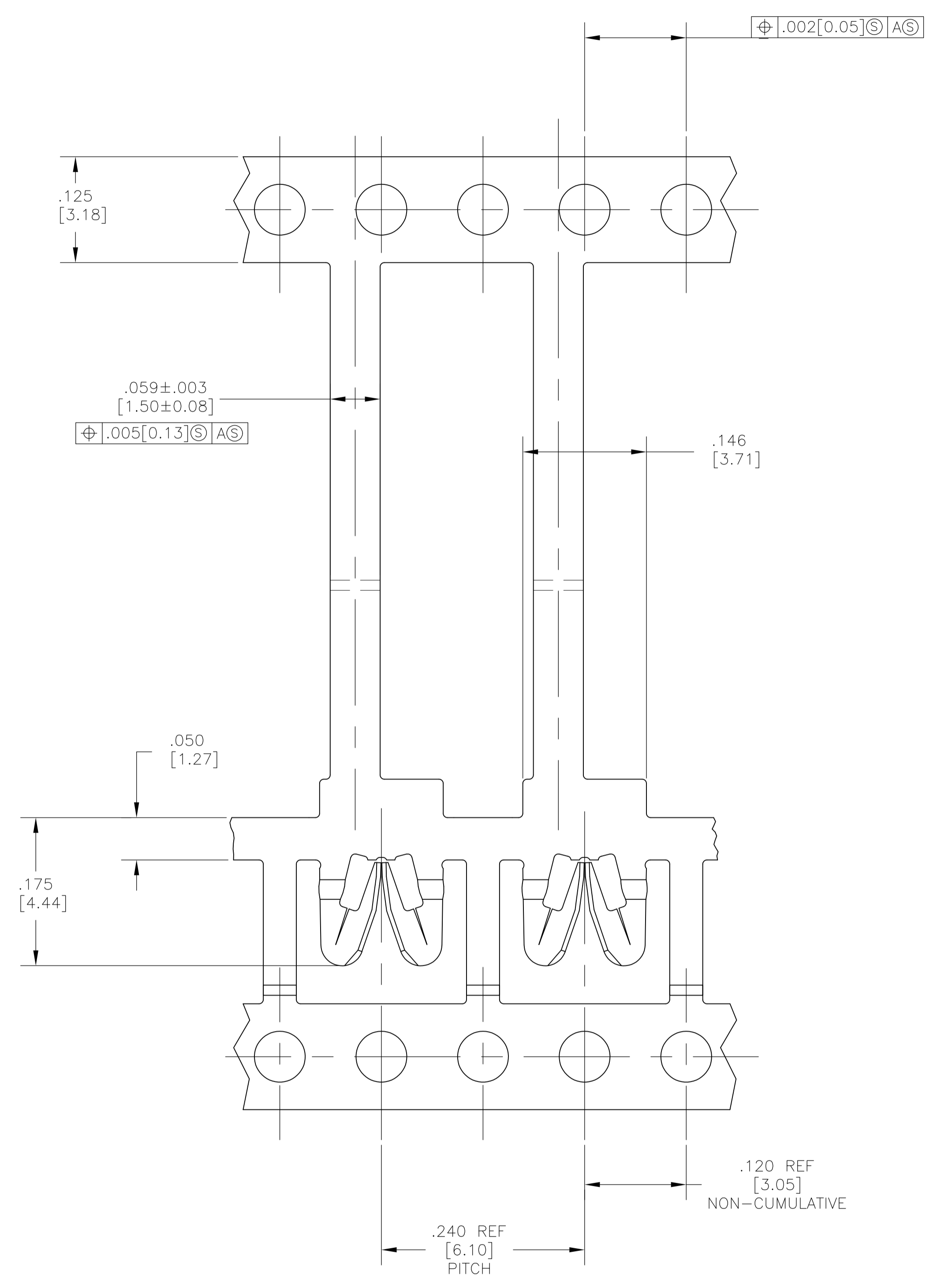


LOC		DIST		REVISIONS			
REV	DATE	BY	CHK	DESCRIPTION	DATE	BY	CHK
F1	26OCT07	HMR	GJ	REVISED PER ECR-07-024681			

- SPECIFICATIONS: MAGNET WIRE RANGE; #18-#34 .006-.040 DIA [0.16-1.02] mm COPPER. OTHER SIZES MAY BE ACCOMMODATED, CONSULT TYCO ELECTRONICS FOR APPROVAL.
- POCKET RECOMMENDATION: 1601424.
- MAINTAIN THICKNESS FOR THIS LENGTH AND COIN EDGES WITH NO BURRS.
- SPC DATA TO BE PROVIDED FOR THESE DIMENSIONS
- TERMINAL APPLICATION TO COMPLY WITH TYCO ELECTRONICS SPECIFICATION 114-13166 FIGURE 5. CONSULT TYCO ELECTRONICS ENGINEERING FOR CARRIER CUTOFF DIMENSIONS.



1601172-2
PART NUMBER

THIS DRAWING IS A CONTROLLED DOCUMENT.		DIN	220CT2002	Tyco Electronics Corporation	
DIMENSIONS: INCHES		CHK	MICHAEL S. FEHNER	Harrisburg, PA 17105-3608	
TOLERANCES UNLESS OTHERWISE SPECIFIED:		APPROV	GENE JACONO	NAME	
0. PLC	± -	PRODUCT SPEC	108-2085	.059 X .032 OFFSET TAB	
1. PLC	± -	APPLICATION SPEC	5	STANDARD SIAMEZE TERMINAL	
2. PLC	± .01[0.25]	SIZE	A1	CAGE CODE	00779
3. PLC	± .005[0.13]	DRAWING NO	1601172	RESTRICTED TO	
4. PLC	± - # Z	WEIGHT		SCALE	10:1
ANGLES	± - # Z	CUSTOMER DRAWING		SHEET	1 OF 1
MATERIAL: BRASS, FULL HARD		FINISH: PRE-TIN PLATE	REV F1		