

PRODUCT NUMBER  
20020010-XXXXXXLF

20020010-□ □ □ □ 0 □ L F

PITCH  
C: 3.50 mm  
D: 3.81 mm  
G: 5.00 mm  
H: 5.08 mm

POLES  
02: 2 POLES  
03: 3 POLES  
04: 4 POLES  
24: 24 POLES

LF : NOTED RoHS COMPATIBLE

1 : STANDARD PRODUCT  
W/ BOX PACKING

PROPERTY TABLE						
FCI SERIES NAME		02-350	02-381	02-500	02-508	
PITCH (mm)		3.50	3.81	5.00	5.08	
VOLTAGE RATING (VAC)		300	300	300	300	
CURRENT RATING (A)	cULus	8	8	12	12	
	VDE	10	10	NA	NA	
APPLICABLE WIRE RANGE (AWG)	1-WIRE	16~28	16~28	12~24	12~24	
	2-WIRE	20	20	18	18	
WIRE CROSS SECTION (mm <sup>2</sup> )	SOLID	1-WIRE	1.5	1.5	2.5	2.5
		2-WIRE	0.5	0.5	1.0	1.0
	STRANDED	1-WIRE	1.5	1.5	2.5	2.5
		2-WIRE	0.75	0.75	1.5	1.5
OPENING CONTACT HOUSING(mm <sup>2</sup> )		2.8x1.7	2.8x1.7	2.6x3.3	2.6x3.3	
WIRE STRIP LENGTH(mm)		6~7	6~7	6~7	6~7	
TORQUE +/-10% (N-m/Lb-in)		0.19/1.7	0.19/1.7	0.4/3.5	0.4/3.5	
SCREW		M2x0.4	M2x0.4	M3x0.5	M3x0.5	
WITHSTANDING VOLTAGE (kV)	cULus	1.6	1.6	1.6	1.6	
	VDE	2.5	2.5	NA	NA	
OPERATING TEMP. (°C)		-40~+115	-40~+115	-40~+115	-40~+115	
POLES AVAILABLE		02~24	02~24	02~24	02~24	
SAFETY CERTIFICATE						

SCREW CODE

CODE	SCREW TYPE	AVAILABILITY
A	-/+	ON REQUEST ONLY
B	-	STANDARD

HOUSING CODE

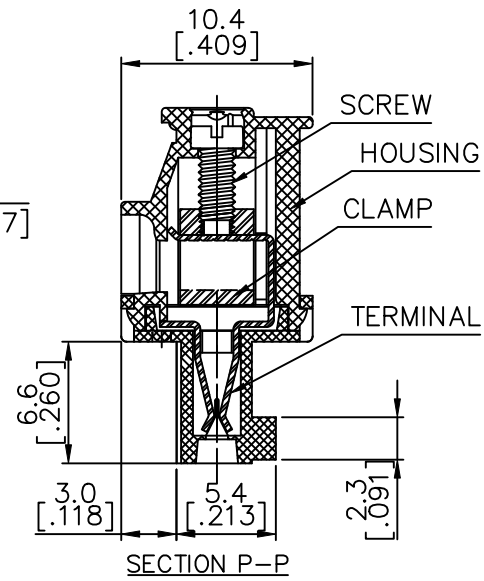
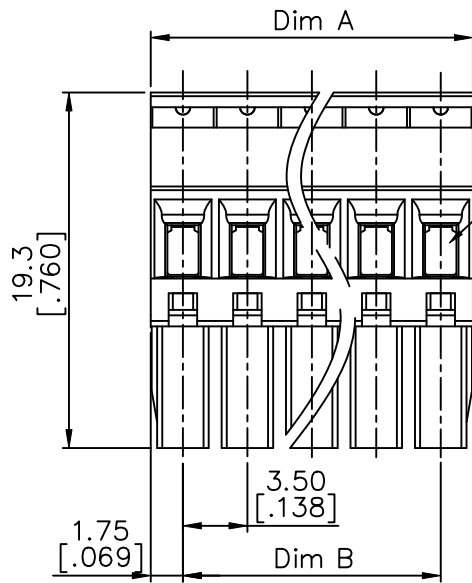
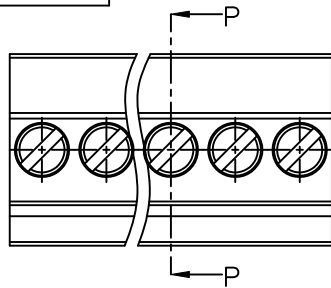
CODE	COLOR	AVAILABILITY
1	GREEN(RAL 6018/T)	STANDARD
2	BLACK	ON REQUEST ONLY
3	GREY(RAL 7004/P)	ON REQUEST ONLY
4	BLUE(RAL 5015/A)	ON REQUEST ONLY

NOTES:

- MATERIALS  
1-1 HOUSING: THERMALPLASTIC RESIN, UL 94V-0 RATED.  
1-2 SCREW: STEEL, ZINC PLATED.  
1-3 CLAMP: COPPER ALLOY, NICKEL PLATED.  
1-4 TERMINAL: COPPER ALLOY, TIN PLATED.
- PRODUCT SPECIFICATION REFER TO FCI GS-12-625.
- PRODUCT PACKING SPECIFICATION REFER TO FCI GS-14-1394.
- FCI, SAFETY CERTIFICATE LOGO AND SERIES NAME TO BE SHOWN ON PRODUCT SURFACE.
- THE PRODUCTS WHERE THE PART NUMBER END IN "LF" MEET THE EUROPEAN UNION DIRECTIVE AND OTHER COUNTRY REGULATIONS AS DESCRIBED IN GS-22-008.

mat'l. code				surface ASME Y14.5 ✓	tolerance ASME Y14.5	projection 	product family TERMINAL BLOCK
ltr	ecn no	dr	date	tolerances unless otherwise specified			title
A	T10-0029	JH	120909	angles	X.±0.5	 scale	TERMINAL BLOCK
B	T10-0042	WL	030310	to 10°	X.X±0.3		PLUGGABLE PLUG, BACK SIDE HOOK
C	T10-0082	WL	080510	X'±1'	X.XX±0.1	scale	dwg no
D	T10-0158	WL	100410	dr	JASON HSU	120909	sheet 1 of 5 size
E	T11-0013	WL	040811	enr	JASON HSU	120909	
F	T-005908	WL	091311	chr	GARY HSIEH	120909	
				appd	JOSEPH HSIA	120909	type
							CUSTOMER Drawing
sheet index	revision	F	F	F	F	F	
	sheet	1	2	3	4	5	

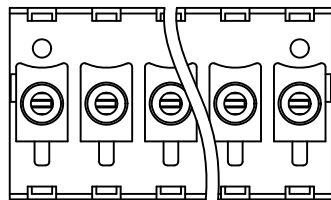
PRODUCT NUMBER	SERIES NAME	PITCH
20020010-CXXXXXXLF	02-350	3.50 mm



N = Number of poles  
 Dim A =  $N \times 3.5$  [.138]  
 Dim B =  $(N-1) \times 3.5$  [.138]

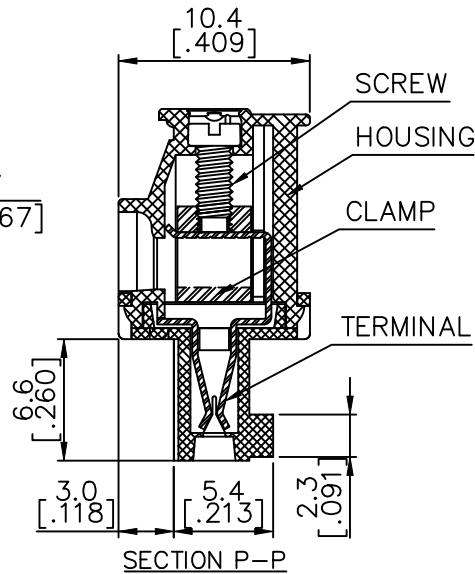
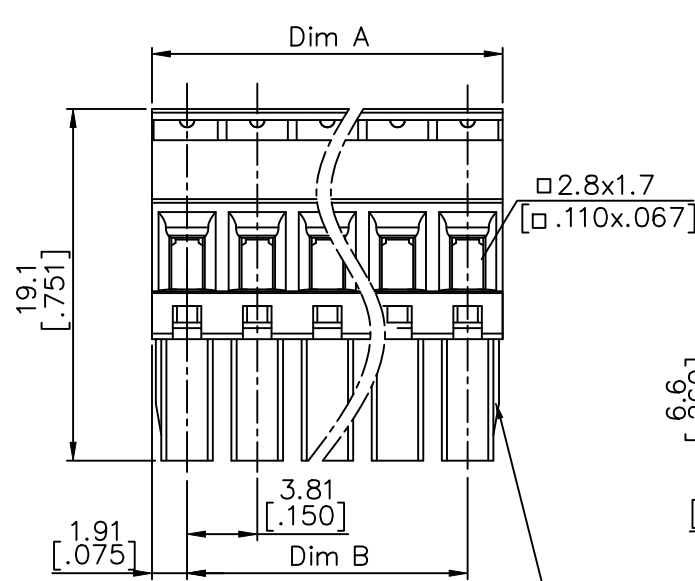
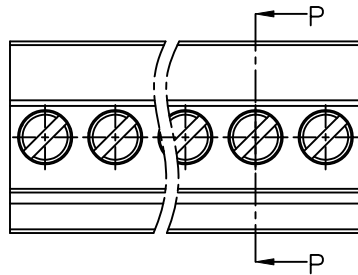
POLES	TOLERANCE
2-6p	±0.15 [.006]
7-12p	±0.20 [.008]
13-18p	±0.25 [.010]
19-24p	±0.30 [.012]

2p to 6p with wedge, above 7p without wedge (including 7p)



mat'l. code	surface ASME Y14.5 ✓	tolerance ASME Y14.5	projection	product family
ltr	ecn no	dr	date	TERMINAL BLOCK
F				title
	angles	tol	MM	TERMINAL BLOCK
	X°±1'	X.X±0.3	[INCH]	PLUGGABLE PLUG, BACK SIDE HOOK
		X.XX±0.1	scale	dwg no
	dr	JASON HSU	120909	sheet 2 of 5 size
	enr	JASON HSU	120909	20020010
	chr	GARY HSIEH	120909	A4
	appd	JOSEPH HSIA	120909	type
				CUSTOMER Drawing
sheet index	revision sheet			

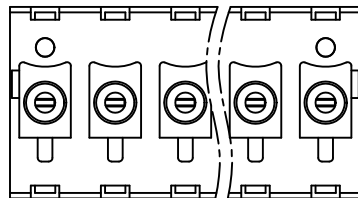
PRODUCT NUMBER	SERIES NAME	PITCH
20020010-DXXXXXXLF	02-381	3.81 mm



N = Number of poles  
 Dim A = N x 3.81 [.150]  
 Dim B = (N-1) x 3.81 [.150]

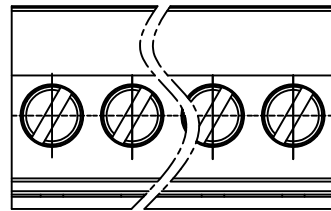
POLES	TOLERANCE
2-6p	±0.15 [.006]
7-12p	±0.20 [.008]
13-18p	±0.25 [.010]
19-24p	±0.30 [.012]

2p to 6p with wedge, above 7p without wedge (including 7p)



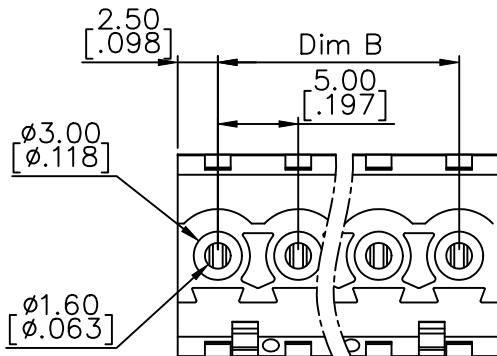
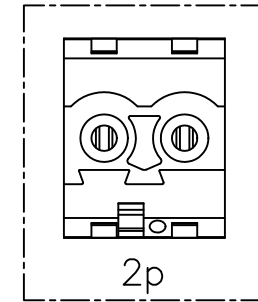
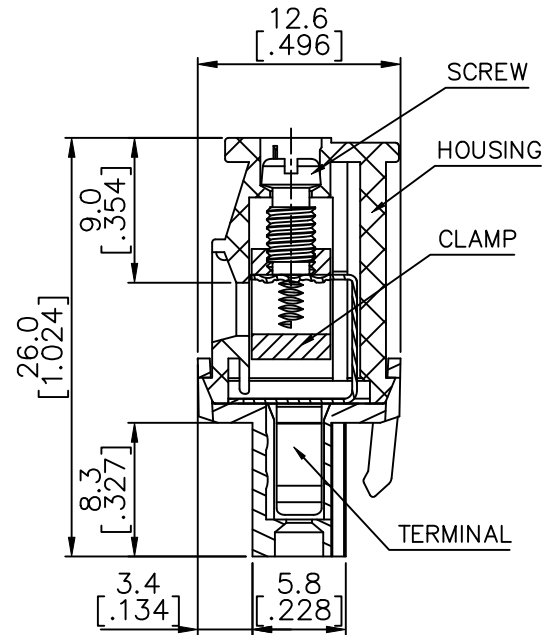
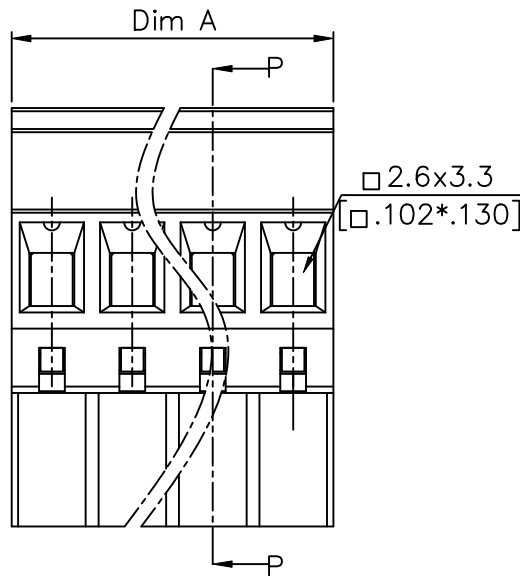
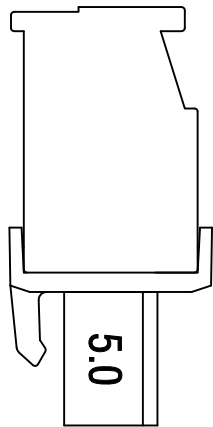
mat'l. code		surface ASME Y14.5 ✓	tolerance ASME Y14.5	projection 	product family TERMINAL BLOCK
ltr	ecn no	dr	date	tolerances unless otherwise specified	title
F				angles X ± 0.5 X.X ± 0.3 X° ± 1'	TERMINAL BLOCK PLUGGABLE PLUG, BACK SIDE HOOK
				scale MM [INCH]	dwg no 20020010
		dr	JASON HSU 120909		sheet 3 of 5 size A4
		enr	JASON HSU 120909		type CUSTOMER Drawing
		chr	GARY HSIEH 120909		
		appd	JOSEPH HSIA 120909		
sheet index	revision sheet				

PRODUCT NUMBER	SERIES NAME	PITCH
20020010-GXXXXXL	02-500	5.00 mm



N = Number of poles  
 Dim A = N x 5.0 [.197]  
 Dim B = (N - 1) x 5.0 [.197]

POLES	TOLERANCE
2-6p	±0.15 [.006]
7-12p	±0.25 [.010]
13-18p	±0.30 [.012]
19-24p	±0.40 [.016]

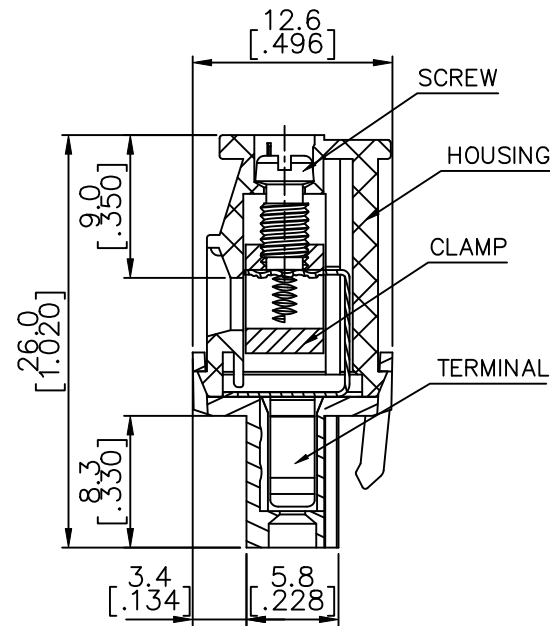
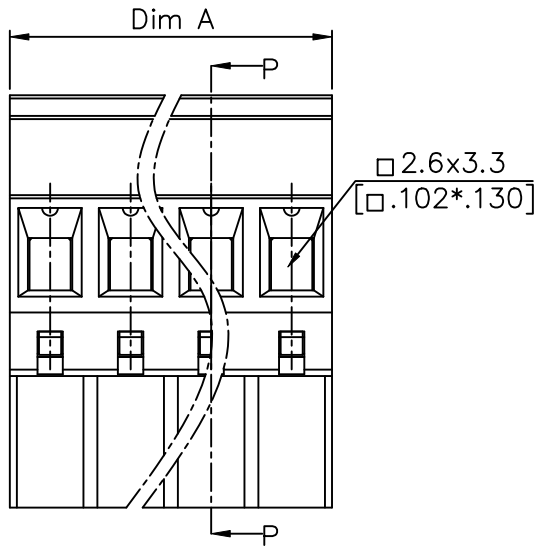
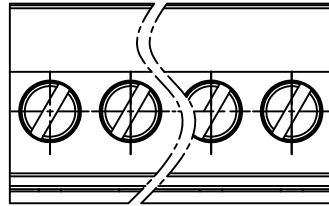


mat'l. code	surface ASME Y14.5	tolerance ASME Y14.5	projection MM INCH	product family TERMINAL BLOCK
ltr	ecn no	dr	date	title
F				TERMINAL BLOCK PLUGGABLE PLUG, BACK SIDE HOOK
				scale
				dwg no 20020010
				sheet 4 of 5 size A4
				type CUSTOMER Drawing
sheet index	revision sheet			

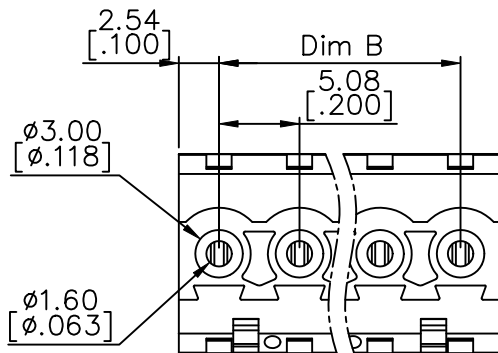
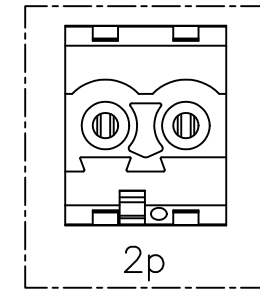
PRODUCT NUMBER	SERIES NAME	PITCH
20020010-HXXXXXXLF	02-508	5.08 mm

N = Number of poles  
 Dim A =  $N \times 5.08$  [.200]  
 Dim B =  $(N-1) \times 5.08$  [.200]

POLES	TOLERANCE
2-6p	$\pm 0.15$ [.006]
7-12p	$\pm 0.25$ [.010]
13-18p	$\pm 0.30$ [.012]
19-24p	$\pm 0.40$ [.016]



SECTION P-P



mat'l. code		surface ASME Y14.5	tolerance ASME Y14.5	projection [Symbol]	product family TERMINAL BLOCK
ltr	ecn no	dr	date	title TERMINAL BLOCK PLUGGABLE PLUG, BACK SIDE HOOK	
F				angles X±1°	scale MM [INCH]
		dr	JASON HSU 120909		dwg no 20020010
		enr	JASON HSU 120909		sheet 5 of 5 size A4
		chr	GARY HSIEH 120909		type CUSTOMER Drawing
		appd	JOSEPH HSIA 120909		
sheet index	revision sheet				

