



SH-7 series

92mm Square Flange mount SPDT switch

- 92 x 92 mm Square Flange mount
- SS 316L float material
- SS 304 other wetted parts material
- Available in direct switching version for use at up to 100°C or low power switching at up to 200°C
- Aluminium enclosure with screw on lid and cable gland



Technical Specification

Mounting style	External via flange	Mounting size	92 x 92 mm square
Float material	316L grade SS	Other wetted parts	SS 304
Maximum Temperature	100°C / 200°C	Cable entry	½" BSP
Maximum pressure	25 bar or 20 bar	Enclosure rating	IP65
Float SG	0.55 or 0.65	Sealing gasket	Nitrile
Minimum fluid SG	0.60 or 0.70		

Electrical Specification

	SH-7051/SH-7052	SH-7051RH/SH-7052RH
Contact Form	SPDT	SPDT
Switching Voltage AC Max V	250	400
Switching Voltage DC Max V	120	400
Switching Current Max A	5	1

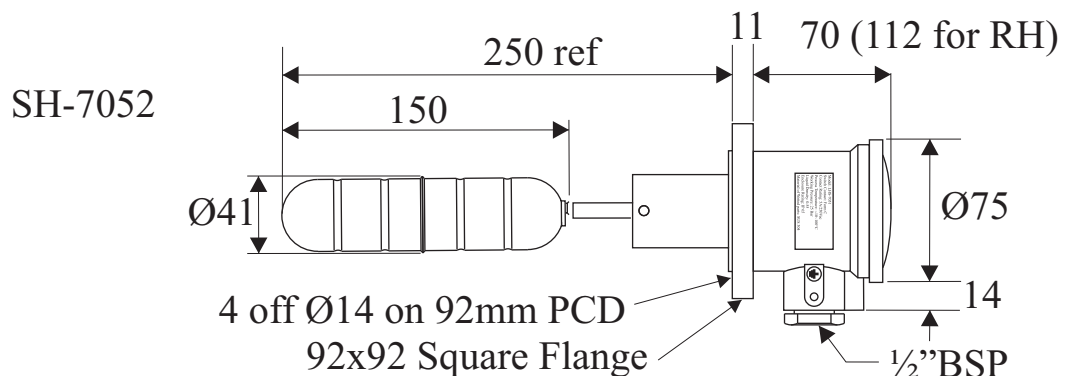
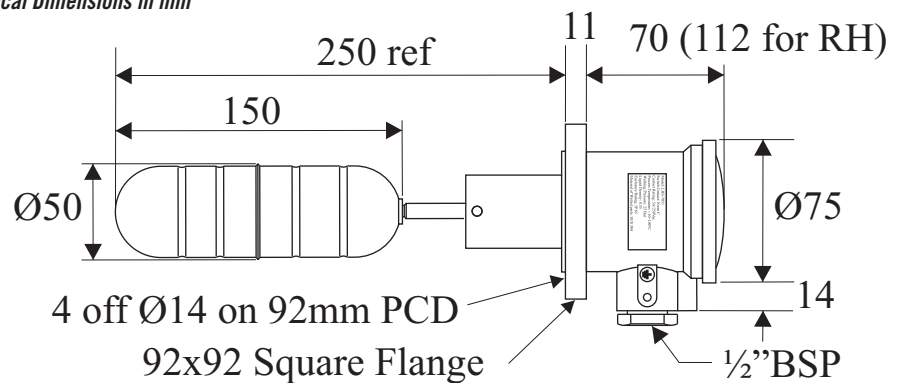
All ratings are for resistive load only. RH version should be limited to maximum power of 60VA

Standard Parts

Standard Parts	Material	Max Current	Temperature Range	Min SG	Max pressure
SH-7051	SS 316L/304	5	0 - 100°C	0.60	25 bar
SH-7051RH	SS 316L/304	1	0 - 200°C	0.60	25 bar
SH-7052	SS 316L/304	5	0 - 100°C	0.70	20 bar
SH-7052RH	SS 316L/304	1	0 - 200°C	0.70	20 bar

Custom versions can be made for particular applications. Please contact Cynergy3 with your requirements.

Mechanical Dimensions in mm



The SH-7 series are 92mm square flange mount float operated level switches. This design uses a pivoted float arm with a magnet on the inboard end. This magnet when moved by the rising float arm interacts with another magnet in the switch enclosure to give a snap action operation.

Two switching options are available using either microswitches or reed switches, for different switching power and operating temperature ranges.

There are also two float sizes available of either 150x50mm or 150x41mm.

Cynergy3 Components Ltd.
7 Cobham Road
Ferndown Industrial Estate
Wimborne, Dorset BH21 7PE
Telephone +44 (0) 1202 897969

Email: sales@cynergy3.com

ISO9001 CERTIFIED

www.cynergy3.com