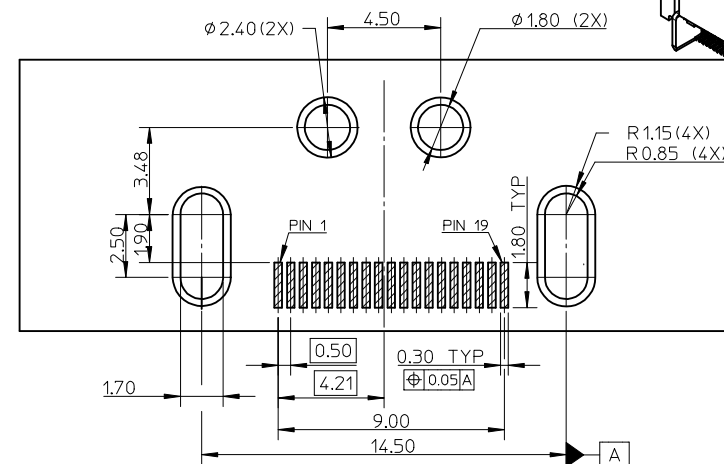
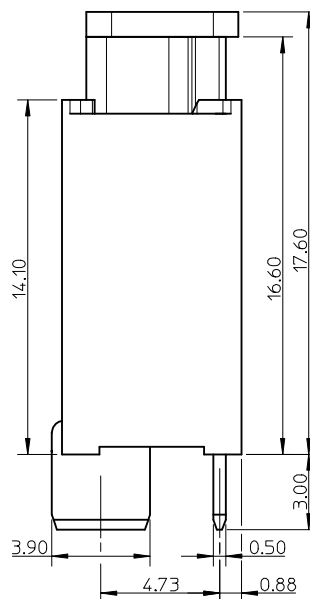
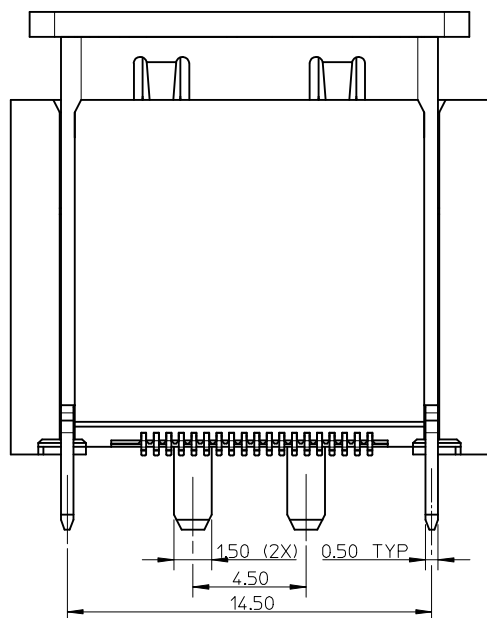
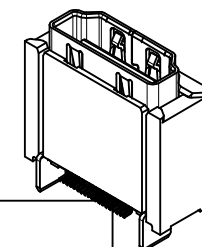
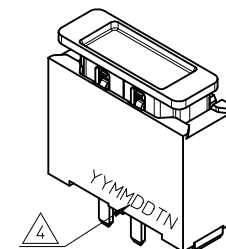


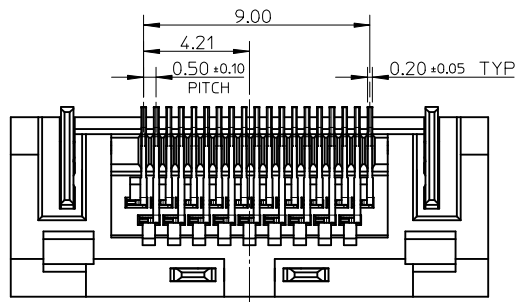
NOTES:

1. MATERIAL:
HOUSING/COVER: HIGH TEMPERATURE THERMAL PLASTIC. COLOR: BLACK;
SHELL: COPPER ALLOY;
TERMINAL: COPPER ALLOY;
2. PLATING:
TERMINAL:
CONTACT AREA: SEE TABLE;
SOLDER AREA: 1 MICROMETER MIN. TIN-BISMUTH ALLOY PLATED;
UNDER PLATE: 1.27 MICROMETER MIN. NICKEL;
SHELL: 3 MICROMETER MIN. MATTE TIN PLATING OVERALL;
3. COPLANARITY: 0.10mm MAX;
4. DATE CODE: YY: YEAR; MM: MONTH; DD: DAY; T: TIME, A=DAYTIME, B=NIGHT; N: LINE, 1=LINE 1, 2=LINE 2....;
5. PRODUCT SPECIFICATION REFER TO PS-47632-001;
6. PACKAGE SPECIFICATION REFER TO PK-47632-003;
7. PRODUCT COMPLIANT TO RoHS DIRECTIVE 2011/65/EC AND ELV DIRECTIVE 2000/53/EC.

476323200	0.76um MIN. GOLD PLATING
476323100	0.38um MIN. GOLD PLATING
476323000	GOLD FLASH
P/N	CONTACT AREA PLATING



RECOMMENDED PCB LAYOUT (CONNECTOR SIDE)
THICKNESS=1.60mm, GENERAL TOLERANCE: ±0.05



ADD THE DIP PAD DIM. EC NO: S2015-0489 DRW:HTG002 2014/11/13 CHKD:JZENG 2015/05/27 APPR:KHLIM 2015/05/27	QUALITY SYMBOLS $\nabla F = 0$ $\nabla F = 0$ $\nabla F = 0$	GENERAL TOLERANCES (UNLESS SPECIFIED)		DIMENSION STYLE	SCALE	DESIGN UNITS	THIRD ANGLE PROJECTION		
		mm	INCH	MM ONLY	NTS	METRIC			
		4 PLACES ± --- ± ---	3 PLACES ± --- ± ---	2 PLACES ± 0.20 ± ---	1 PLACE ± 0.30 ± ---	0 PLACE ± --- ± ---		ANGULAR ± 1°	DRAFT WHERE APPLICABLE MUST REMAIN WITHIN DIMENSIONS
		DRAWN BY: CWTANG DATE: 2009/01/05		CHECKED BY: XJSONG DATE: 2009/01/05		APPROVED BY: XJSONG DATE: 2010/01/26		TITLE: HDMI RECEPTACLE VERTICAL SMT TYPE WITHOUT FLANGE	
B1	REV	MATERIAL NO. 47632-3000		DOCUMENT NO. SD-47632-300		SHEET NO. 1 OF 1			
SIZE A3 THIS DRAWING CONTAINS INFORMATION THAT IS PROPRIETARY TO MOLEX INCORPORATED AND SHOULD NOT BE USED WITHOUT WRITTEN PERMISSION									