

PRODUCT SUMMARY

SKY87006: High-Frequency Step-Down Converter with MIPI® RF Front-End Control for 2G/3G/4G RF Power Amplifiers

Applications

- 2G/3G/4G modules
- Smartphones
- Wireless data cards
- Tablets/netbooks and e-readers

Features

- Dynamic output voltage: 0.4 V to 3.6 V:
 - Register 0, fast write 7-bit resolution control (30 mV steps)
 - Register 3, 8-bit resolution control (15 mV steps)
- Modes:
 - Low power mode
 - Standby mode
 - Light-load power saving mode
 - Forced PWM mode
 - Bypass mode
- High switching frequency: 2.5 MHz
- MIPI RF front-end control interface
- Efficiency up to 96%
- Integrated bypass regulator
- Over-temperature and short-circuit protection
- Small footprint, 9-bump WLCSP package (MSL1, 260 °C per JEDEC J-STD-020)



Skyworks Green™ products are compliant with all applicable legislation and are halogen-free. For additional information, refer to *Skyworks Definition of Green™*, document number SQ04-0074.

Description

The SKY87006 is a dynamic output controlled DC-DC step-down converter for multimode 2G GSM/EDGE, 3G WCDMA, and 4G LTE RF Power Amplifier (RFP) applications. The SKY87006 has a programmable output voltage range between 0.4 V and 3.6 V with optimized efficiency for all operating states where load currents are 850 mA or less, but can support typical peak load currents up to 1.5 A.

The SKY87006 output voltage is set by using a Mobile Industry Processor Interface (MIPI) RF Front-End (RFFE) control with a fast-write 7-bit resolution (30 mV steps) data register or an 8-bit high resolution (15 mV steps) data register.

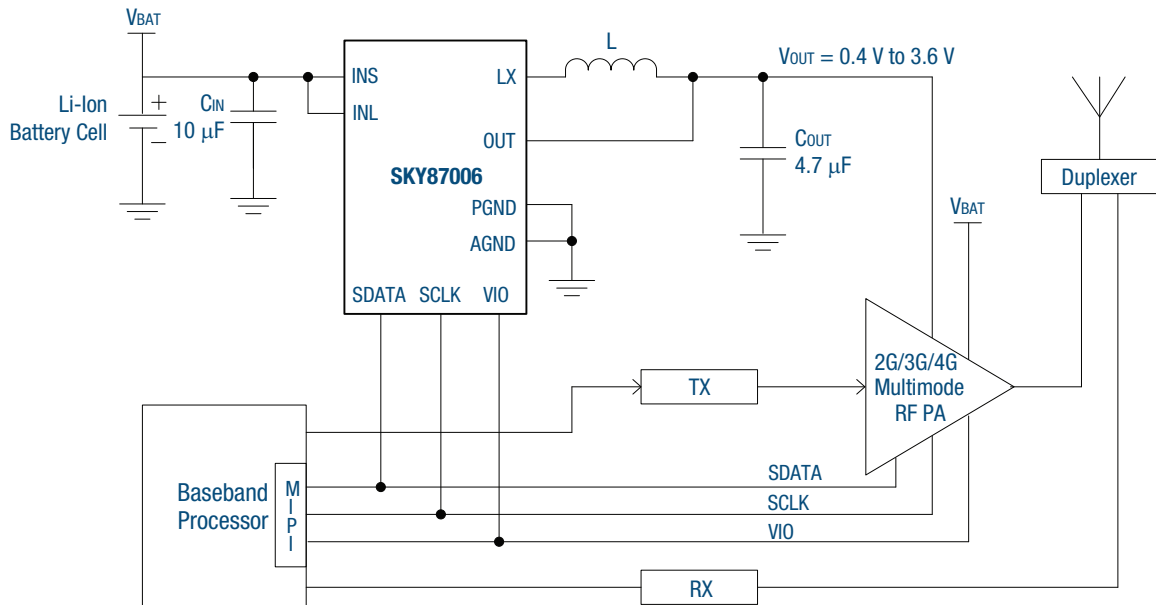
To cover peak load current demands and low input voltage drop-out conditions, the DC-DC regulation control has an automatic linear regulator bypass switch to connect from the the source battery supply to the output. This minimizes voltage drop and provides a 1.5 A (typical) current limit for circuit protection. The output current capability of the DC-DC switching regulator and regulated LDO bypass can support typical load currents up to 3.0 A.

High switching frequency operation permits the use of a small inductor and reduces output capacitance requirements. Reduced external component values aid ultrafast transient response needs of cellular RF power amplifier applications. The SKY87006 has a light load power saving mode. Locked PWM operation is made possible by a MIPI RFFE control register bit. Locking PWM operation can improve load transient response, which can improve performance for 2G operating modes.

The SKY87006 is available in a small Wafer Level Chip Scale Package (WLCSP), and is rated over a range of –40 to +85 °C.

Figure 1 shows the SKY87006 System Diagram.

PRODUCT SUMMARY • SKY87006: HIGH-FREQUENCY STEP-DOWN CONVERTER



t0106

Figure 1. SKY87006 System Diagram

Ordering Information

| Model Name | Manufacturing Part Number | Evaluation Board Part Number |
|---|---------------------------|------------------------------|
| SKY87006: High-Frequency Step-Down Converter for 2G/3G/4G RF Power Amplifiers | SKY87006-11-001 | SKY87006-11-001-EVB |

Copyright © 2015 Skyworks Solutions, Inc. All Rights Reserved.

Information in this document is provided in connection with Skyworks Solutions, Inc. (“Skyworks”) products or services. These materials, including the information contained herein, are provided by Skyworks as a service to its customers and may be used for informational purposes only by the customer. Skyworks assumes no responsibility for errors or omissions in these materials or the information contained herein. Skyworks may change its documentation, products, services, specifications or product descriptions at any time, without notice. Skyworks makes no commitment to update the materials or information and shall have no responsibility whatsoever for conflicts, incompatibilities, or other difficulties arising from any future changes.

No license, whether express, implied, by estoppel or otherwise, is granted to any intellectual property rights by this document. Skyworks assumes no liability for any materials, products or information provided hereunder, including the sale, distribution, reproduction or use of Skyworks products, information or materials, except as may be provided in Skyworks Terms and Conditions of Sale.

THE MATERIALS, PRODUCTS AND INFORMATION ARE PROVIDED “AS IS” WITHOUT WARRANTY OF ANY KIND, WHETHER EXPRESS, IMPLIED, STATUTORY, OR OTHERWISE, INCLUDING FITNESS FOR A PARTICULAR PURPOSE OR USE, MERCHANTABILITY, PERFORMANCE, QUALITY OR NON-INFRINGEMENT OF ANY INTELLECTUAL PROPERTY RIGHT; ALL SUCH WARRANTIES ARE HEREBY EXPRESSLY DISCLAIMED. SKYWORKS DOES NOT WARRANT THE ACCURACY OR COMPLETENESS OF THE INFORMATION, TEXT, GRAPHICS OR OTHER ITEMS CONTAINED WITHIN THESE MATERIALS. SKYWORKS SHALL NOT BE LIABLE FOR ANY DAMAGES, INCLUDING BUT NOT LIMITED TO ANY SPECIAL, INDIRECT, INCIDENTAL, STATUTORY, OR CONSEQUENTIAL DAMAGES, INCLUDING WITHOUT LIMITATION, LOST REVENUES OR LOST PROFITS THAT MAY RESULT FROM THE USE OF THE MATERIALS OR INFORMATION, WHETHER OR NOT THE RECIPIENT OF MATERIALS HAS BEEN ADVISED OF THE POSSIBILITY OF SUCH DAMAGE.

Skyworks products are not intended for use in medical, lifesaving or life-sustaining applications, or other equipment in which the failure of the Skyworks products could lead to personal injury, death, physical or environmental damage. Skyworks customers using or selling Skyworks products for use in such applications do so at their own risk and agree to fully indemnify Skyworks for any damages resulting from such improper use or sale.

Customers are responsible for their products and applications using Skyworks products, which may deviate from published specifications as a result of design defects, errors, or operation of products outside of published parameters or design specifications. Customers should include design and operating safeguards to minimize these and other risks. Skyworks assumes no liability for applications assistance, customer product design, or damage to any equipment resulting from the use of Skyworks products outside of stated published specifications or parameters.

Skyworks and the Skyworks symbol are trademarks or registered trademarks of Skyworks Solutions, Inc., in the United States and other countries. Third-party brands and names are for identification purposes only, and are the property of their respective owners. Additional information, including relevant terms and conditions, posted at www.skyworksinc.com, are incorporated by reference.