

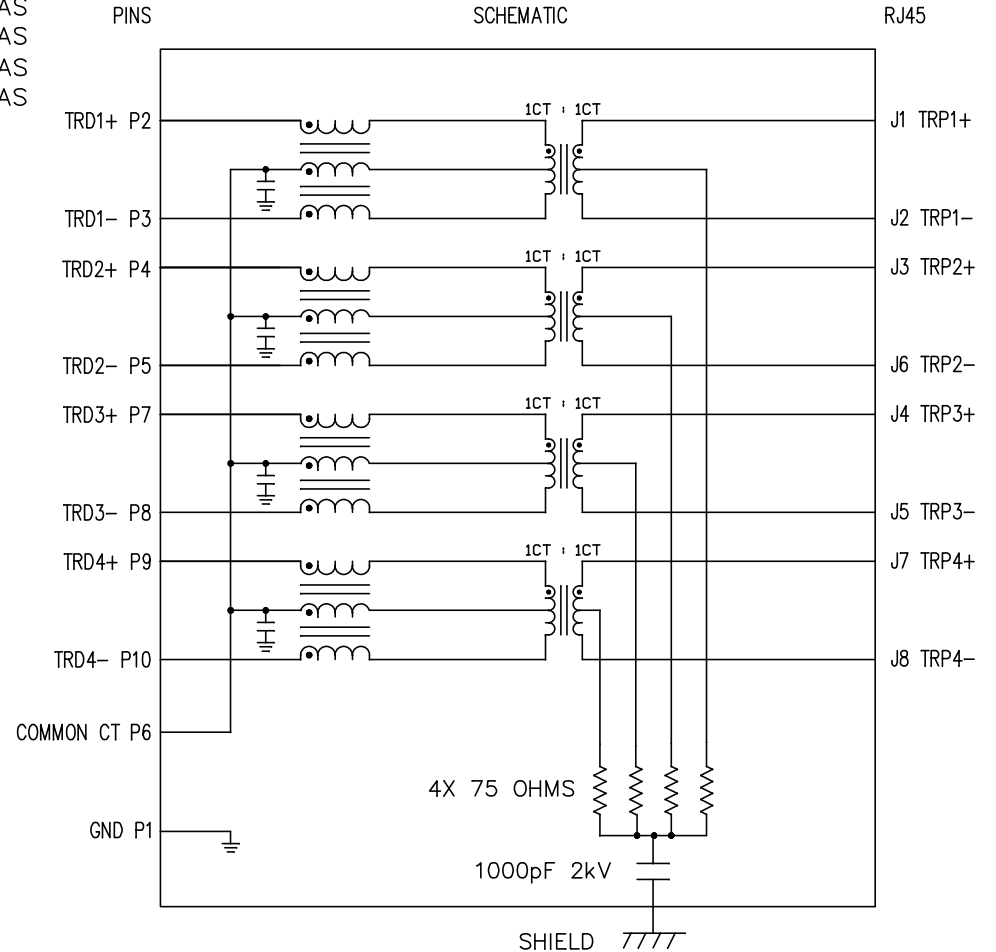
THE INFORMATION CONTAINED HEREIN IS CONSIDERED "PROPRIETARY" TO BEL FUSE INC. AND SHALL NOT BE COPIED, REPRODUCED OR DISCLOSED WITHOUT THE WRITTEN APPROVAL OF BEL FUSE INC.

RoHS
2002/95/EC



ELECTRICAL CHARACTERISTICS @ 25°C

- 1.0 INDUCTANCE:
 (P2-P3) : 350uH MIN. @ 0.1V, 100KHz, 8mA DC BIAS
 (P4-P5) : 350uH MIN. @ 0.1V, 100KHz, 8mA DC BIAS
 (P7-P8) : 350uH MIN. @ 0.1V, 100KHz, 8mA DC BIAS
 (P9-P10) : 350uH MIN. @ 0.1V, 100KHz, 8mA DC BIAS
- 2.0 TURNS RATIO:
 (P2-P3):(J1-J2) : 1CT : 1CT ± 2%
 (P4-P5):(J3-J6) : 1CT : 1CT ± 2%
 (P7-P8):(J4-J5) : 1CT : 1CT ± 2%
 (P9-P10):(J7-J8) : 1CT : 1CT ± 2%
- 3.0 RETURN LOSS: 100 OHM REF.
 500kHz TO 40MHz : -18dB MIN.
 40MHz TO 100MHz : -12+20LOG(f/80MHz) MIN.
- 4.0 INSERTION LOSS: RS=RL=100 OHMS
 100kHz TO 100MHz : -1.2dB MAX.
- 5.0 CROSS TALK: Ch1-Ch2, Ch1-Ch3, Ch1-Ch4, Ch2-Ch3, Ch2-Ch4, Ch3-Ch4
 1MHz TO 30MHz : -35dB MIN.
 30MHz TO 80MHz : -24dB MIN.
 80MHz TO 100MHz : -25dB MIN.
- 6.0 CM TO CM REJECTION:
 100kHz TO 100MHz : -30dB MIN.
- 7.0 CM TO DM REJECTION:
 100kHz TO 100MHz : -35dB MIN.
- 8.0 VOLTAGE WITHSTAND:
 (J1,J2) TO (P2,P3) : 1500Vrms
 (J3,J6) TO (P4,P5) : 1500Vrms
 (J4,J5) TO (P7,P8) : 1500Vrms
 (J7,J8) TO (P9,P10) : 1500Vrms
- 9.0 THIS COMPONENT IS A PATENT PRODUCT;US PATENT NUMBER 7,123,117.



ORIGINATED BY	DATE
Zeng Xiao Chun	03-23-2011
DRAWN BY	DATE
Zhang Ru Sheng	03-23-2011

TITLE
MagJack® 10/100/1000BT TAB UP SHIELDED PATENTED

PART NO. / DRAWING NO.
SI-51005-F
FILE NAME
SI-51005-F.DWG

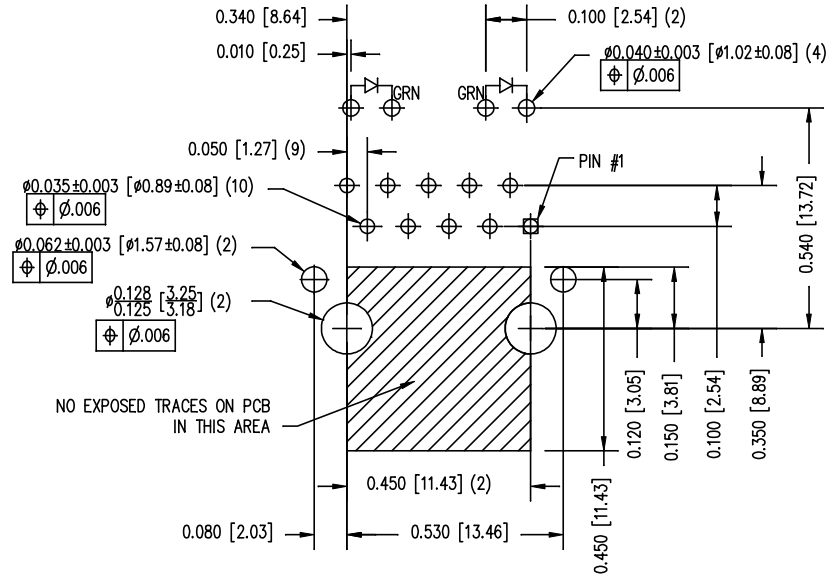
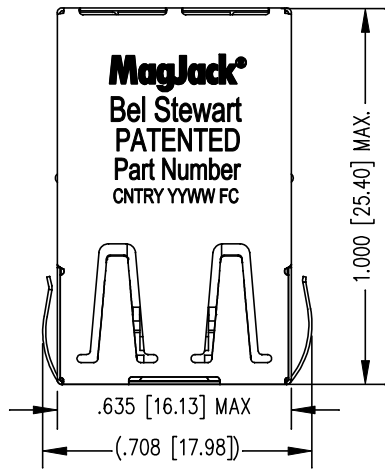
STANDARD DIM.	[] METRIC DIM. AS REFERENCE
TOL. IN INCH	UNIT : INCH [mm]
.X	REV. : A2
.XX	SCALE : N/A
.XXX	SIZE : A4
±0.005	PAGE : 2

UNIT : INCH [mm]	REV. : A2
SCALE : N/A	SIZE : A4
PAGE : 2	

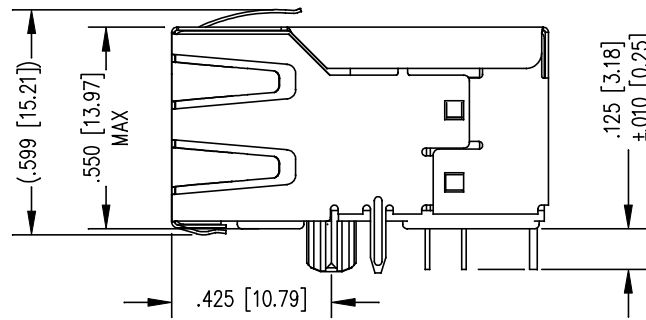
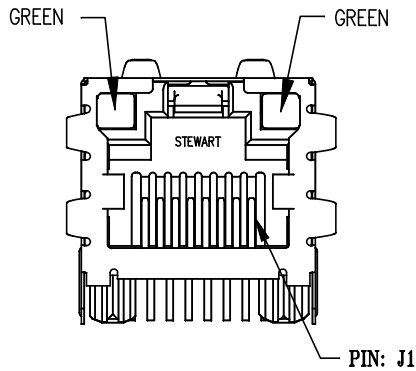


THE INFORMATION CONTAINED HEREIN IS CONSIDERED "PROPRIETARY" TO BEL FUSE INC. AND SHALL NOT BE COPIED, REPRODUCED OR DISCLOSED WITHOUT THE WRITTEN APPROVAL OF BEL FUSE INC.

RoHS
2002/95/EC



P.C.B. RECOMMENDED HOLE LAYOUT
SEEN FROM COMPONENT SIDE
ALL CENTERLINE DIMENSIONS ARE BASIC



LED SPECIFICATION			
STANDARD LED	WAVELENGTH	FORWARD V (MAX)	* (TYP)
GREEN	565 nm	2.5 V	2.2 V

*WITH A FORWARD CURRENT OF 20 mA (TYP)

NOTES:

- CONNECTOR MATERIALS:
HOUSING: THERMOPLASTIC UL94 V-0
CONTACT/SHIELD: COPPER ALLOY
SHIELD PLATING: NICKEL OR TIN
CONTACT PLATING: SELECTIVE GOLD,
50 MICRO-INCHES MIN. IN CONTACT AREA.
- PIN NOT ELECTRICALLY CONNECTED MAYBE OMITTED.
SEE ELECTRICAL DRAWING FOR OMITTED PINS.
- TOLERANCES COMPLY WITH F.C.C. DIMENSION REQUIREMENTS.
- ALL TOLERANCES NOT OTHERWISE SPECIFIED TO BE ±.005 [0.13]
- REFLOW AND WAVE SOLDER COMPATIBLE -260°C FOR 10 SECONDS MAX.

ORIGINATED BY	DATE
Zeng Xiao Chun	03-23-2011
DRAWN BY	DATE
Zhang Ru Sheng	03-23-2011

TITLE	MagJack® 100/100/1000BT TAB UP SHIELDED PATENTED
-------	--

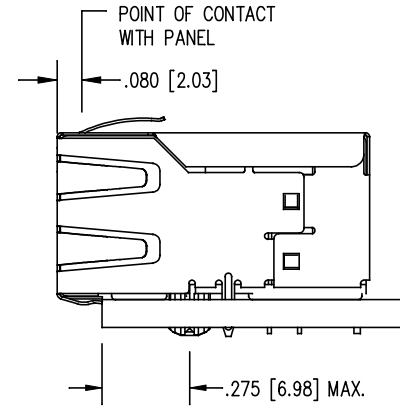
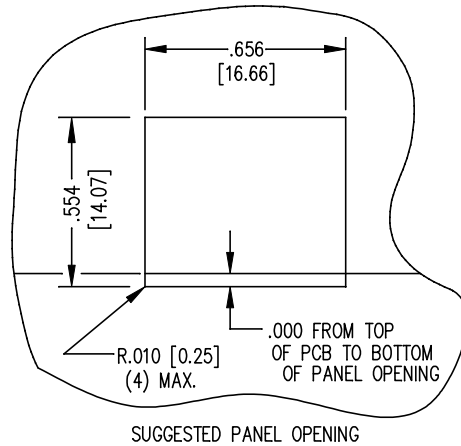
PART NO. / DRAWING NO.	SI-51005-F
FILE NAME	SI-51005-F.DWG

STANDARD DIM.	[] METRIC DIM. AS REFERENCE
TOL. IN INCH	UNIT : INCH [mm]
.X	REV. : A2
.XX	SCALE : N/A
.XXX	±0.005
	SIZE : A4
	PAGE : 3



THE INFORMATION CONTAINED HEREIN IS CONSIDERED "PROPRIETARY" TO BEL FUSE INC. AND SHALL NOT BE COPIED, REPRODUCED OR DISCLOSED WITHOUT THE WRITTEN APPROVAL OF BEL FUSE INC.

RoHS
2002/95/EC



1. THE SUGGESTED PANEL OPENING IS INTENDED TO GIVE THE USER THE ABILITY TO HAVE REASONABLE JACK / PANEL CLEARANCES YET MAINTAIN RELIABLE GROUNDING CAPABILITY.
2. ALL TOLERANCES NOT OTHERWISE SPECIFIED TO BE ± 0.005 [0.13]

ORIGINATED BY	DATE	TITLE	PART NO. / DRAWING NO.	STANDARD DIM.	[] METRIC DIM. AS REFERENCE	
Zeng Xiao Chun	03-23-2011	MagJack® 100/100/1000BT TAB UP SHIELDED PATENTED	SI-51005-F	TOL. IN INCH	UNIT : INCH [mm]	REV. : A2
DRAWN BY	DATE		FILE NAME	.X	SCALE : N/A	SIZE : A4
Zhang Ru Sheng	03-23-2011		SI-51005-F.DWG	.XX		PAGE : 4
			.XXX	± 0.005		

