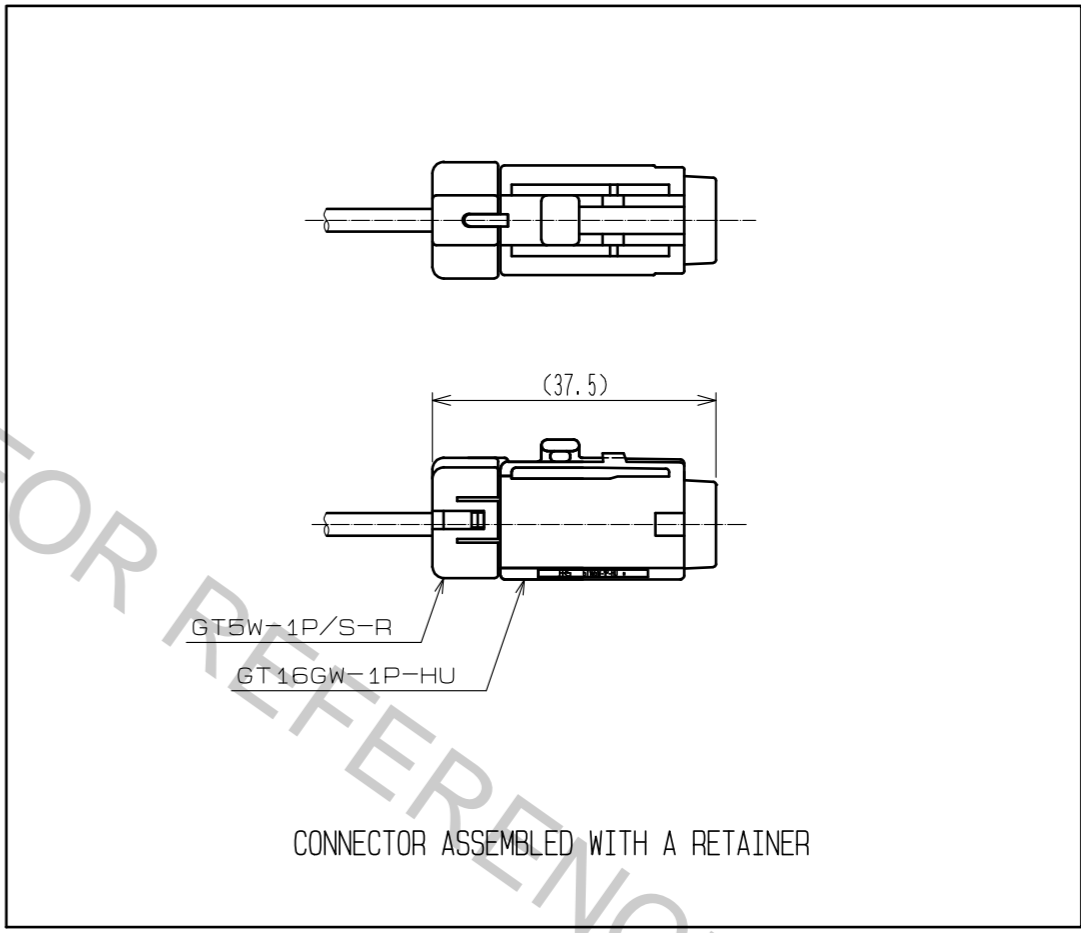
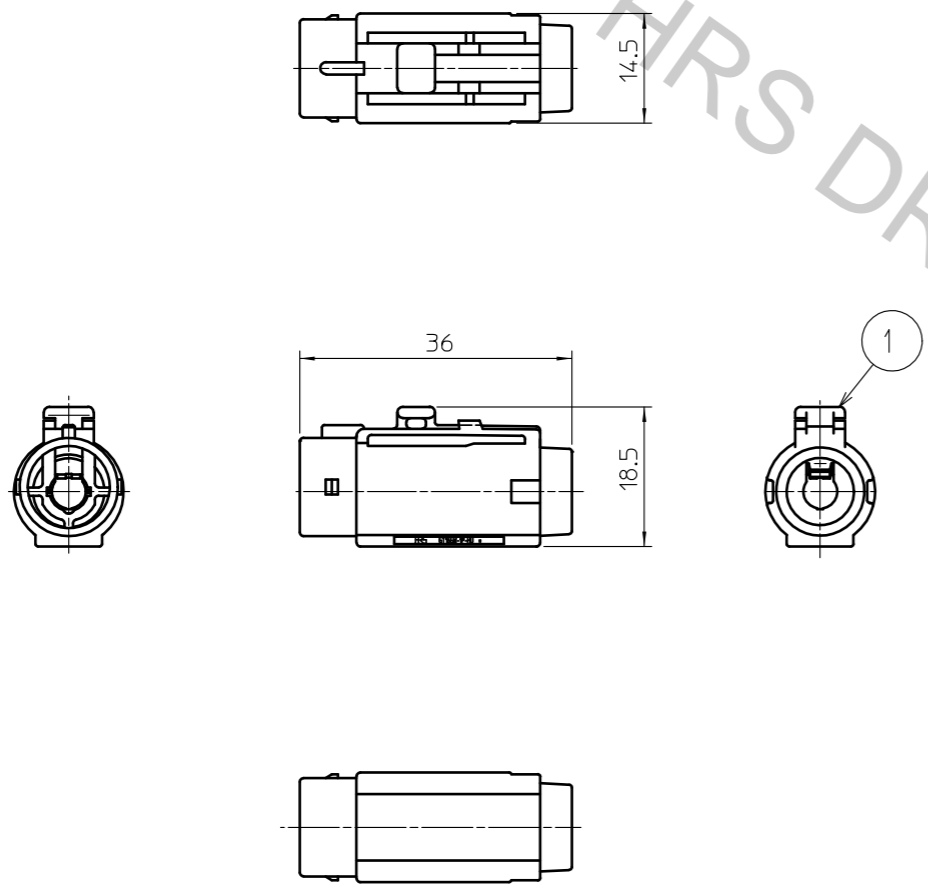


ELV. RoHS COMPLIANT



NOTE1. A SUITABLE RETAINER FOR CABLE SIZE SHALL BE ASSEMBLED BEFORE USE.

1	PBT-M	BLACK						
NO.	MATERIAL	FINISH .	REMARKS	NO.	MATERIAL	FINISH .	REMARKS	
UNITS		SCALE	COUNT	DESCRIPTION OF REVISIONS		DESIGNED	CHECKED	DATE
mm		1 : 1						
HRS HIROSE ELECTRIC CO., LTD.		APPROVED : NH. NAKATA	15.09.03	DRAWING NO.		EDC-166652-00-00		
		CHECKED : KI. HIROKAWA	15.09.03	PART NO.		GT16GW-1P-HU		
		DESIGNED : ming. jiang	15.08.24	CODE NO.		CL766-0077-4-00		
		DRAWN : ming. jiang	15.08.24					