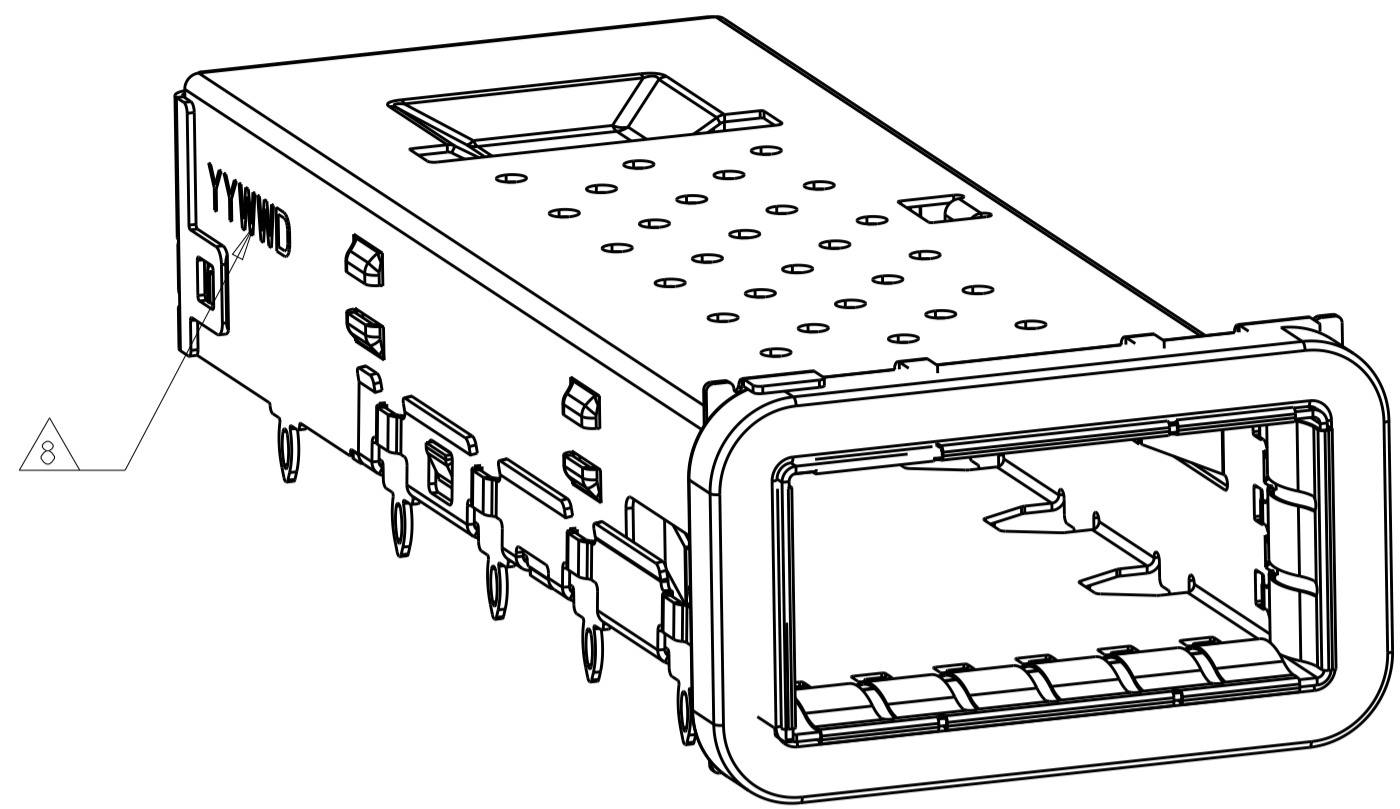
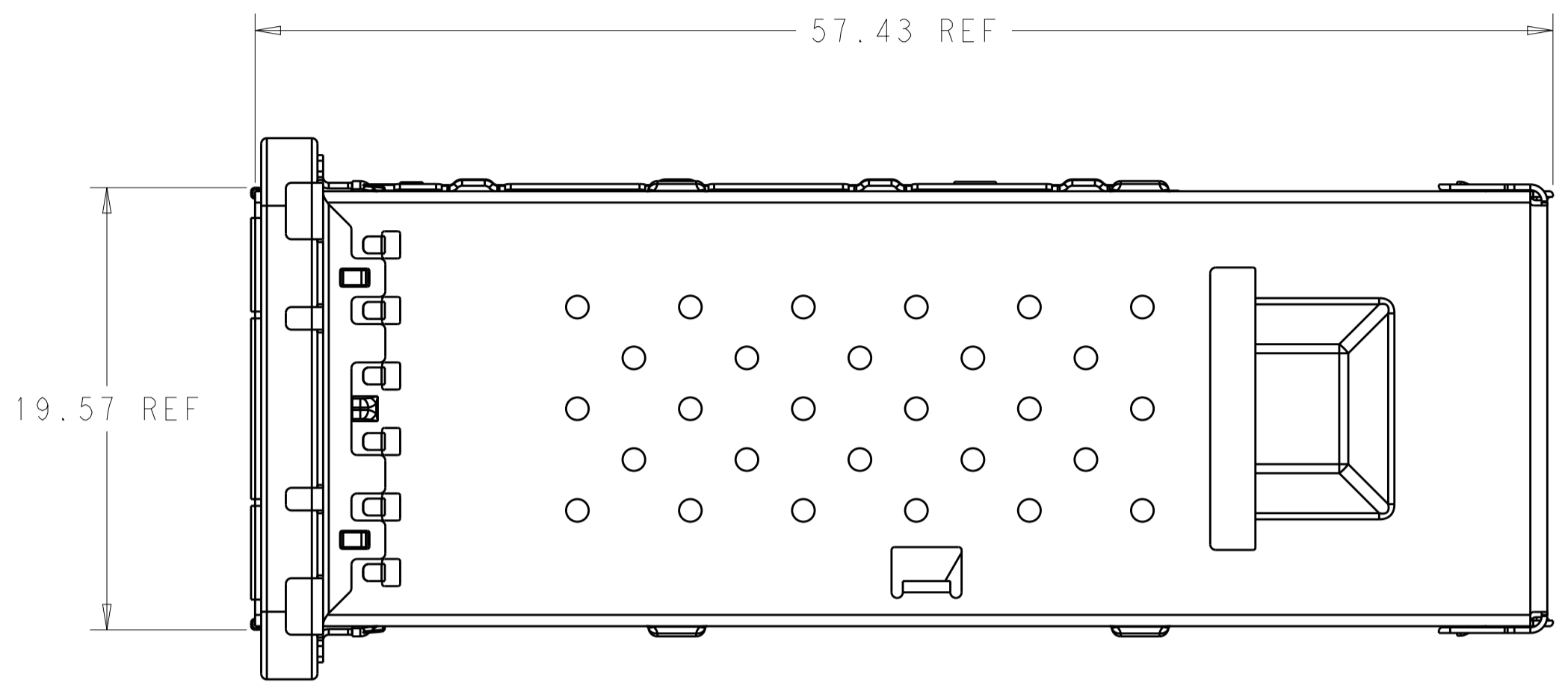


LOC		DIST		REVISIONS			
P	LTN	DESCRIPTION	DATE	DWN	APVD		
A		RELEASE	30DEC2015	JY	SH		



SCALE 4:1



- MATERIAL:
 CAGE MATERIAL : 0.25 THICK NICKEL SILVER.
 SPRING MATERIAL: COPPER ALLOY
 EMI GASKET: PLATED FILLED SILICONE

- FINISH:
 SPRING: NICKEL PLATING

- MATES WITH QSFP28 MSA COMPATIBLE TRANSCEIVER.

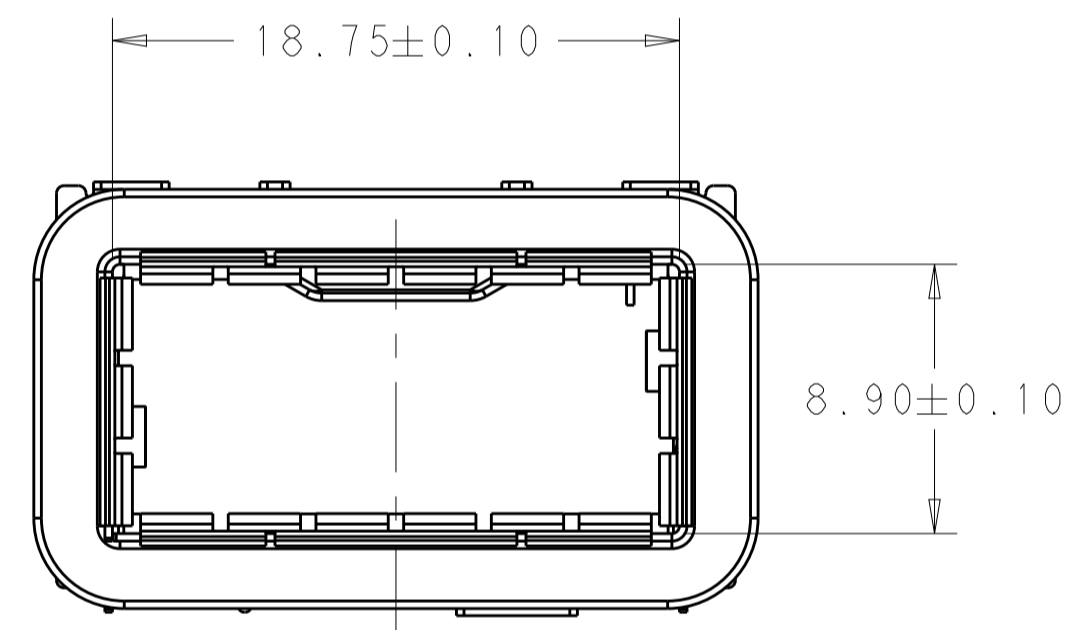
REFERENCE APPLICATION SPEC 114-32023 FOR RECOMMENDED DRILL HOLE DIAMETER AND PLATING THICKNESS.

DATUM AND BASIC DIMENSIONS ESTABLISHED BY CUSTOMERS.

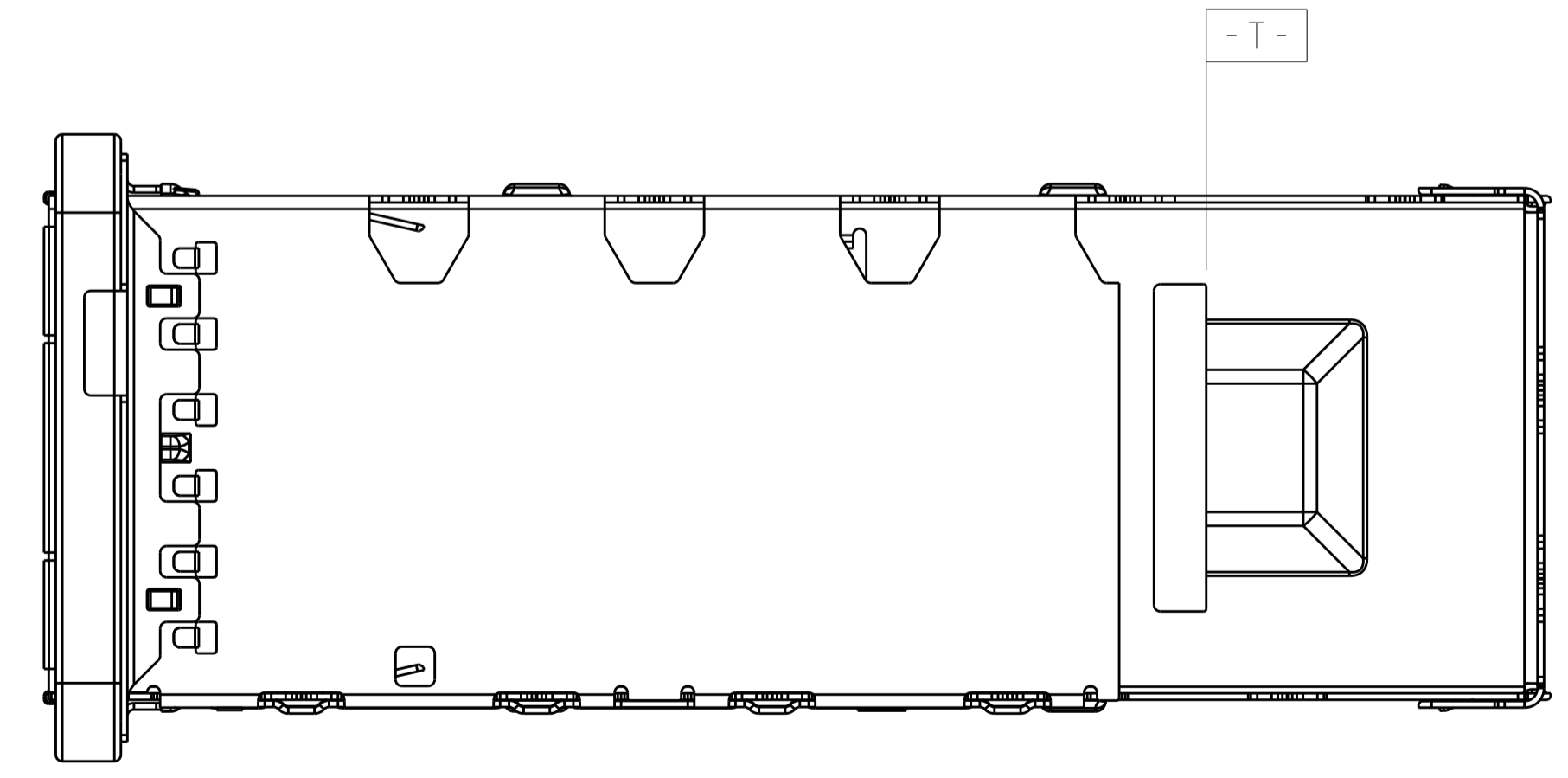
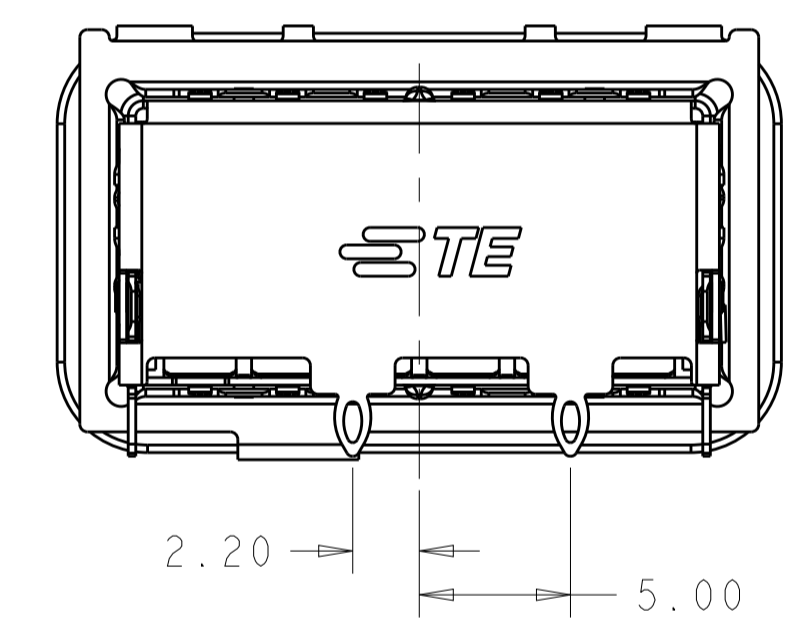
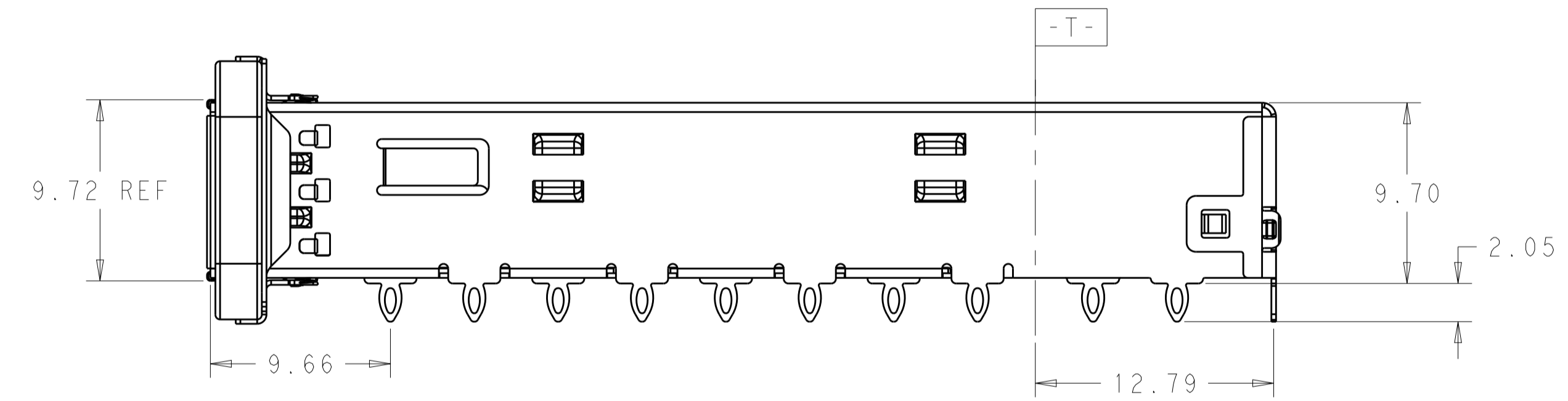
- MINIMUM PC BOARD THICKNESS :
 SINGLES SIDED: 1.57 MIN
 DOUBLE SIDED: 3.00 MIN

DATUM -A- IS TOP SURFACE OF THE HOST BOARD.

DATE CODE (YYWWD) MARKED APPROXIMATELY AS SHOWN



SCALE 4:1



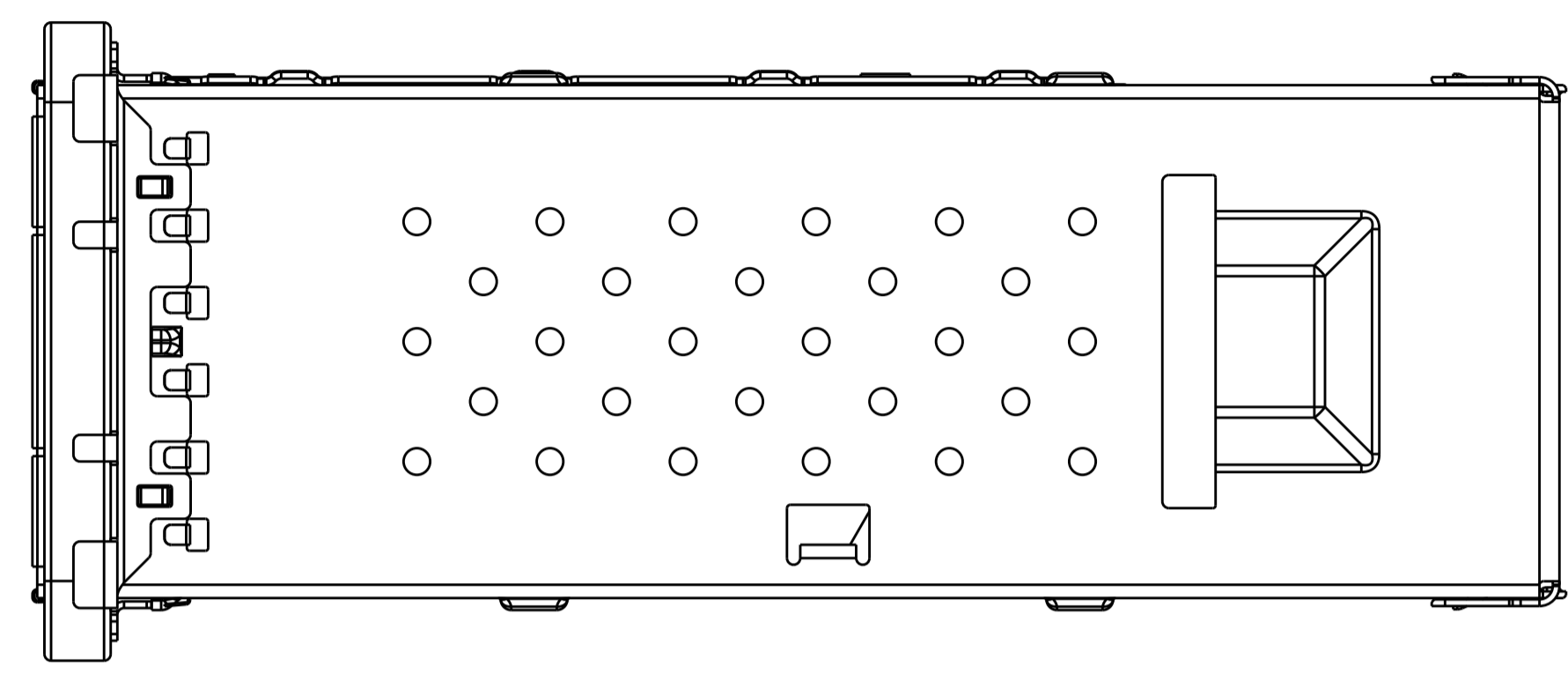
0	WITH	2170752-7
1	WITH	2170752-6
0	WITHOUT	2170752-5
1	WITHOUT	2170752-4
2	WITH	2170752-2
2	WITHOUT	2170752-1
# REAR PINS	HEAT SINK OPEN	PART NUMBER

2170752-1 AS SHOWN

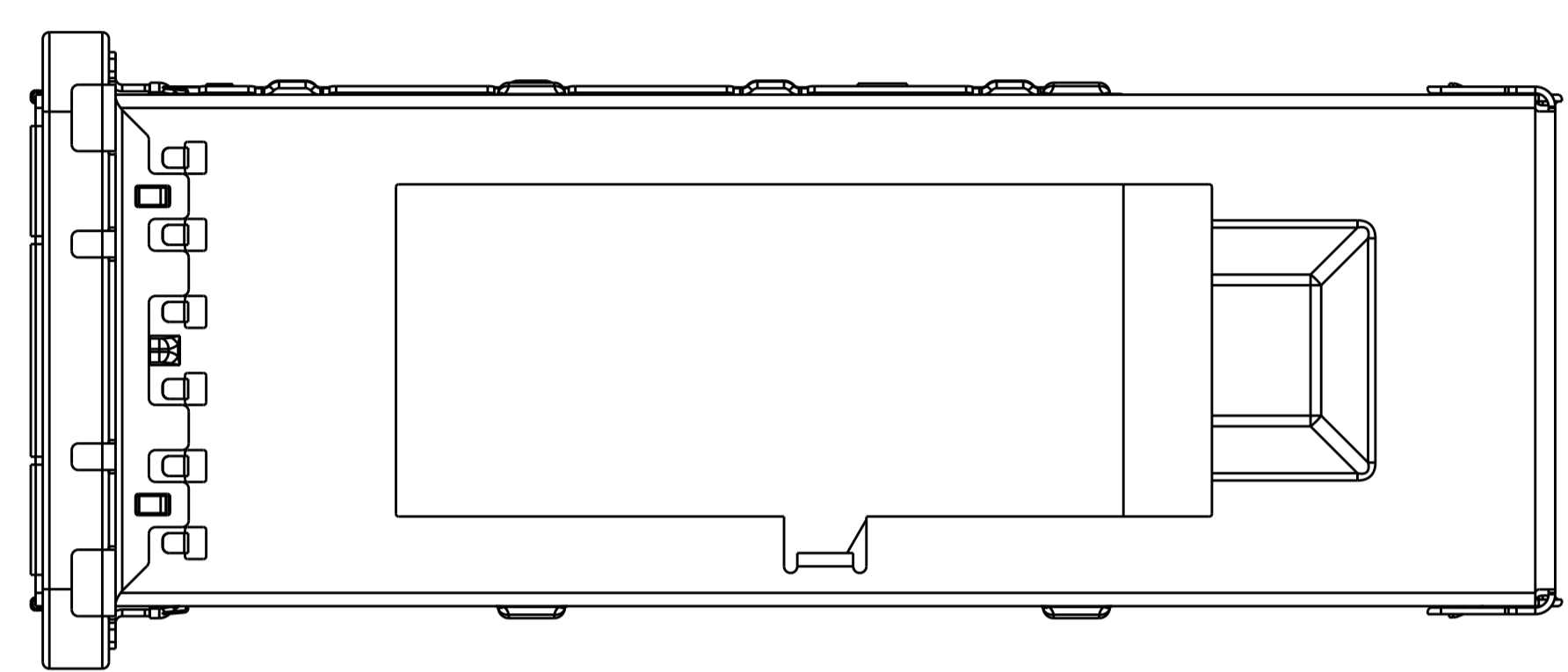
DIMENSIONS:		TOLERANCES UNLESS OTHERWISE SPECIFIED:		DWN		CHK		APVD		NAME	
mm	0 PLC	±0.25		JASON YANG	01APR2014	SEAN HAN	30DEC2015			STE TE Connectivity	
	1 PLC	±0.25		PRODUCT SPEC		108-19428		CAGE ASSEMBLY, QSFP28 1X1, THRU BEZEL WITH EMI GASKET		RESTRICTED TO	
	2 PLC	±0.20		APPLICATION SPEC		114-32023		SIZE CAGE CODE DRAWING NO		A100779C=2170752	
	3 PLC	±0.100		WEIGHT				SCALE		SHEET 1 OF 5 REV A	
	4 PLC	±		CUSTOMER DRAWING							
	ANGLES	±									

LOC	DIST	REVISIONS			
P	LTN	DESCRIPTION	DATE	DWN	APVD
-	-	SEE SHEET 1	-	-	-

HEAT SINK OPEN OPTIONS

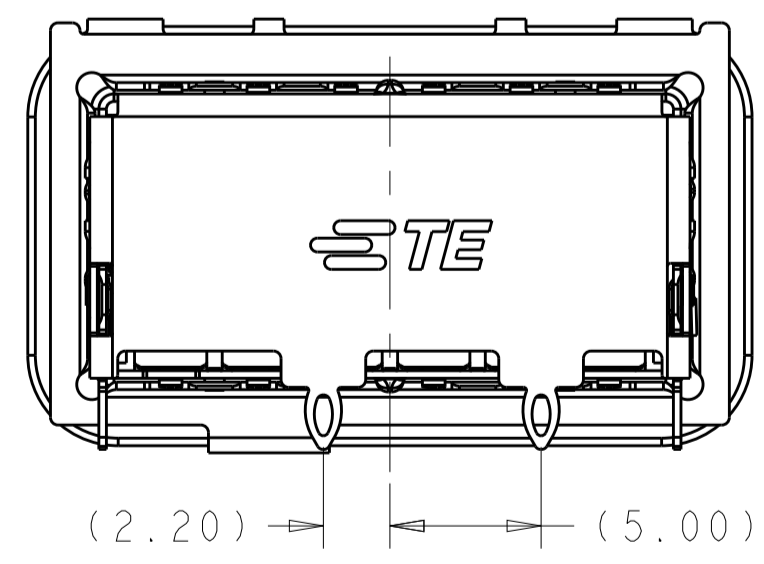


WITHOUT HEAT SINK OPEN
SCALE 4:1

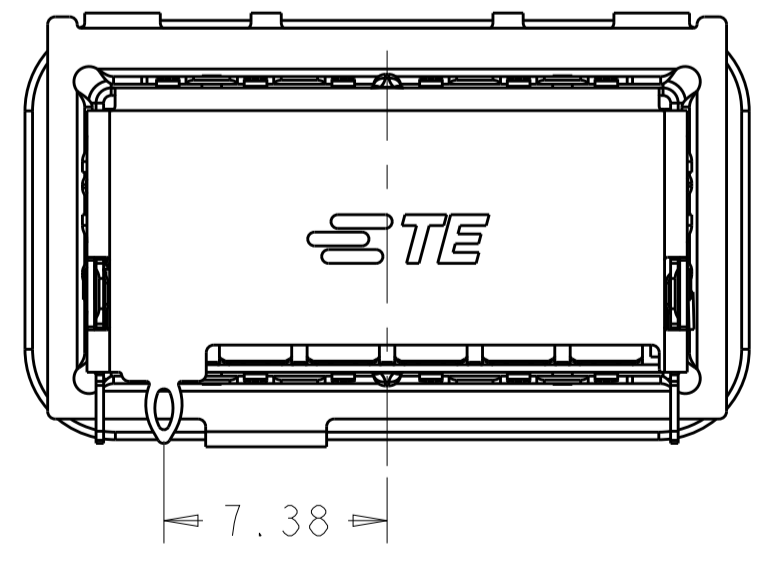


WITH HEAT SINK OPEN
SCALE 4:1

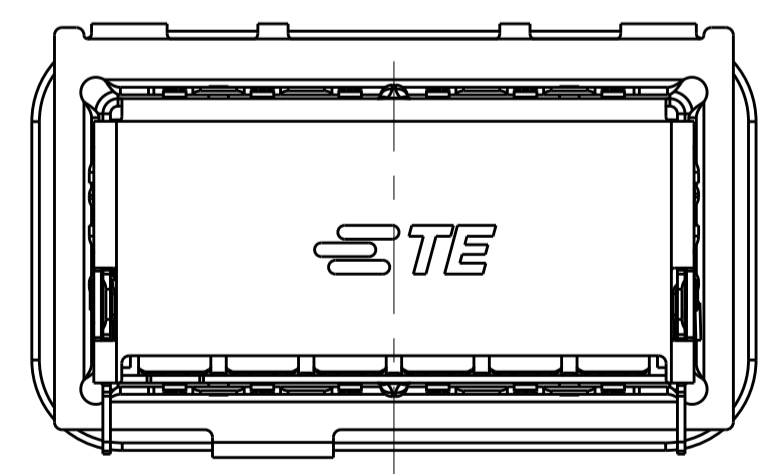
OF REAR LEGS OPTIONS



2 REAR LEGS VERSION
SCALE 4:1



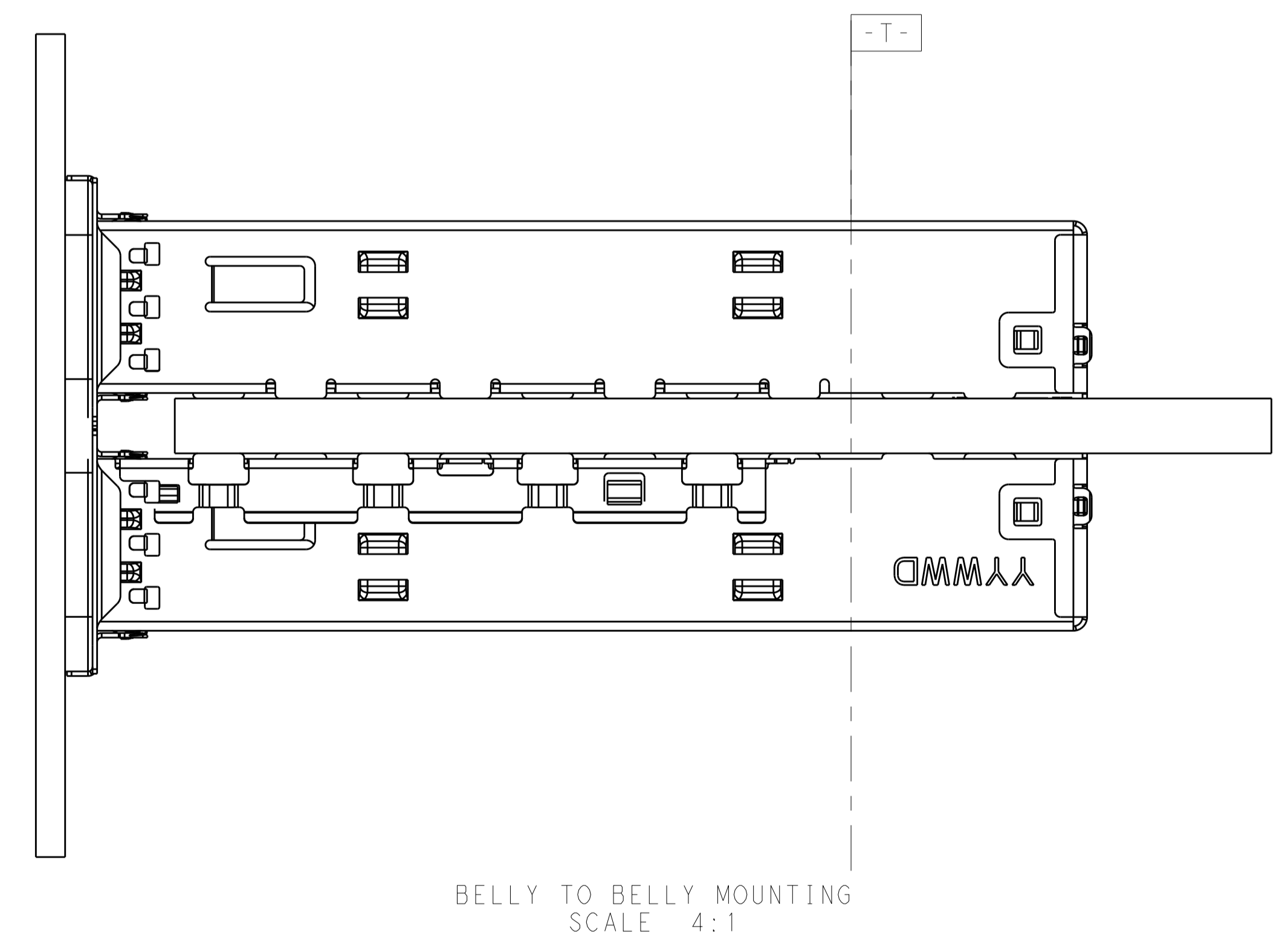
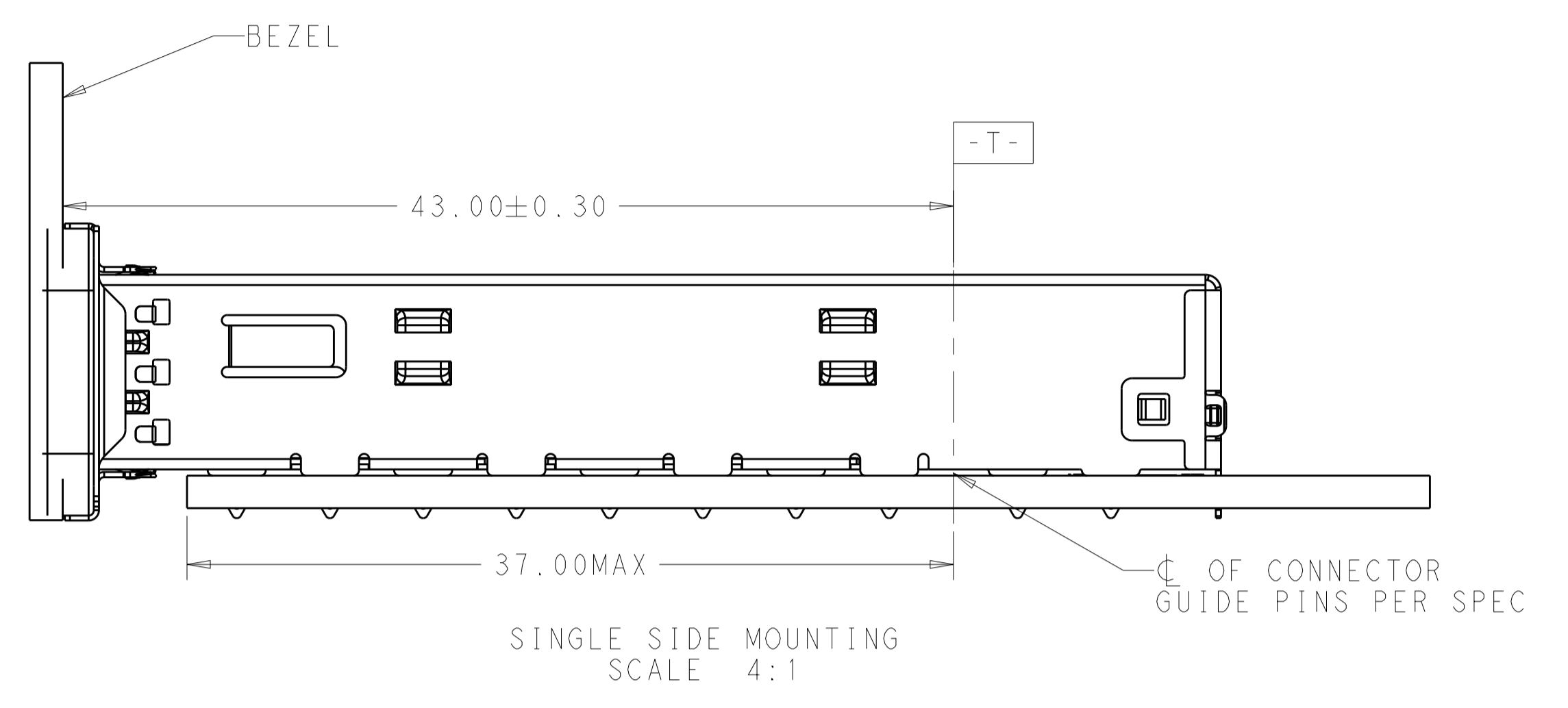
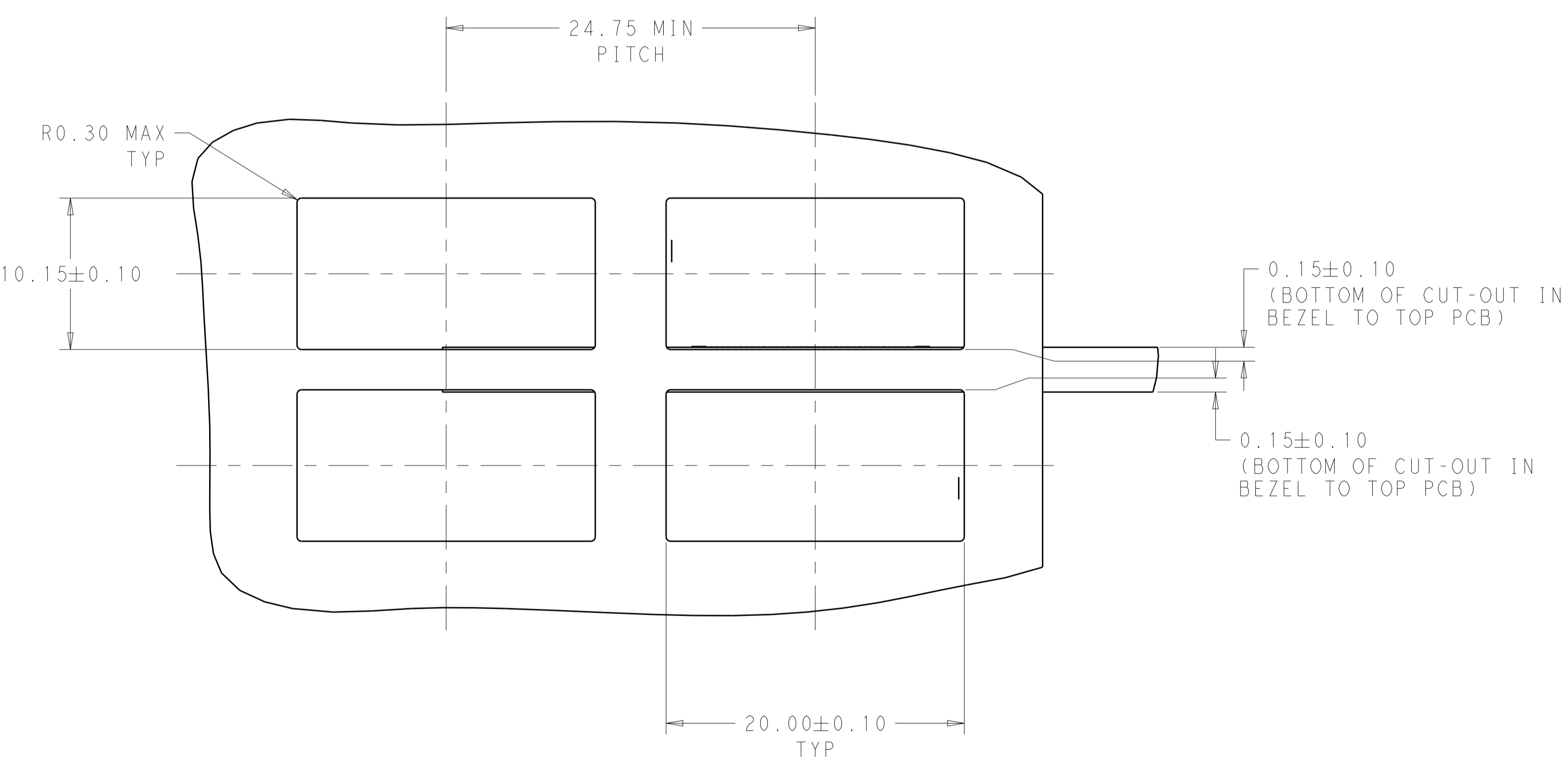
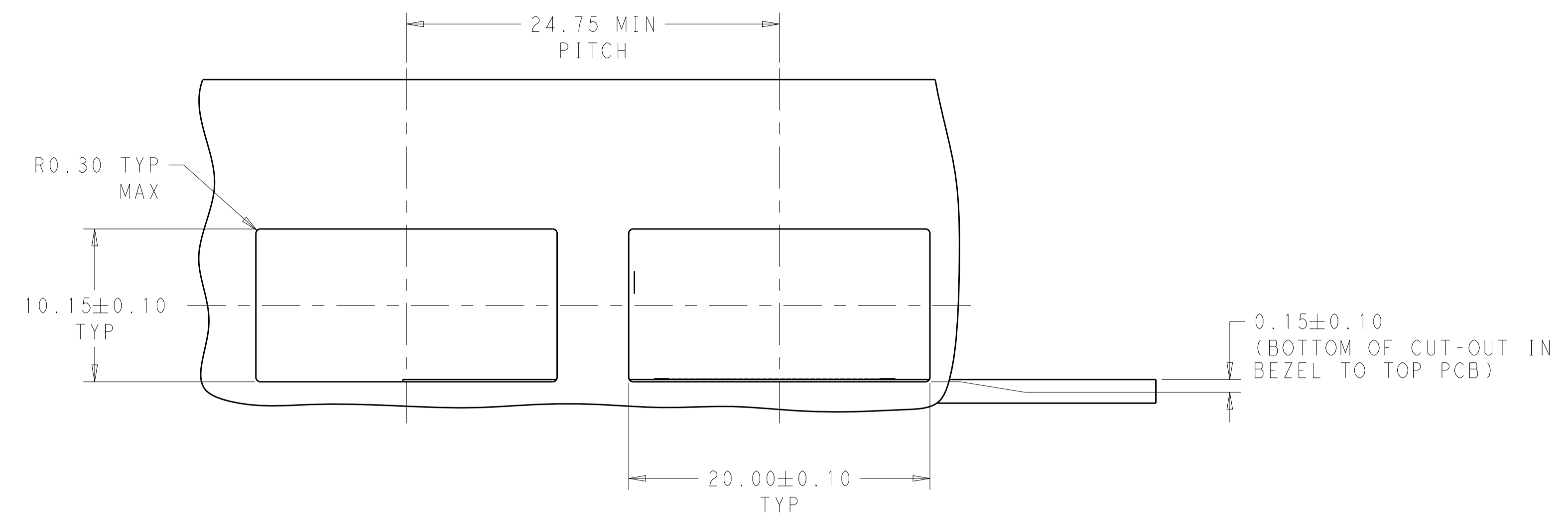
1 REAR LEG VERSION
SCALE 4:1



0 REAR LEG VERSION
SCALE 4:1

THIS DRAWING IS A CONTROLLED DOCUMENT.		DWN: JASON YANG 01APR2014	TE Connectivity
		CHK: SEAN HAN 30DEC2015	
DIMENSIONS:		NAME: CAGE ASSEMBLY, QSFP28 1X1, THRU BEZEL WITH EMI GASKET	
TOLERANCES UNLESS OTHERWISE SPECIFIED:		PRODUCT SPEC: 108-19428	
0 PLC ±0.25 1 PLC ±0.25 2 PLC ±0.25 3 PLC ±0.100 4 PLC ± ANGLES ±°		APPLICATION SPEC: 114-32023	
MATERIAL:		SIZE: A100779C=2170752	
FINISH:		WEIGHT: -	
		Customer Drawing	
		RESTRICTED TO: -	
		SCALE: 4:1 SHEET 2 OF 5 REV A	

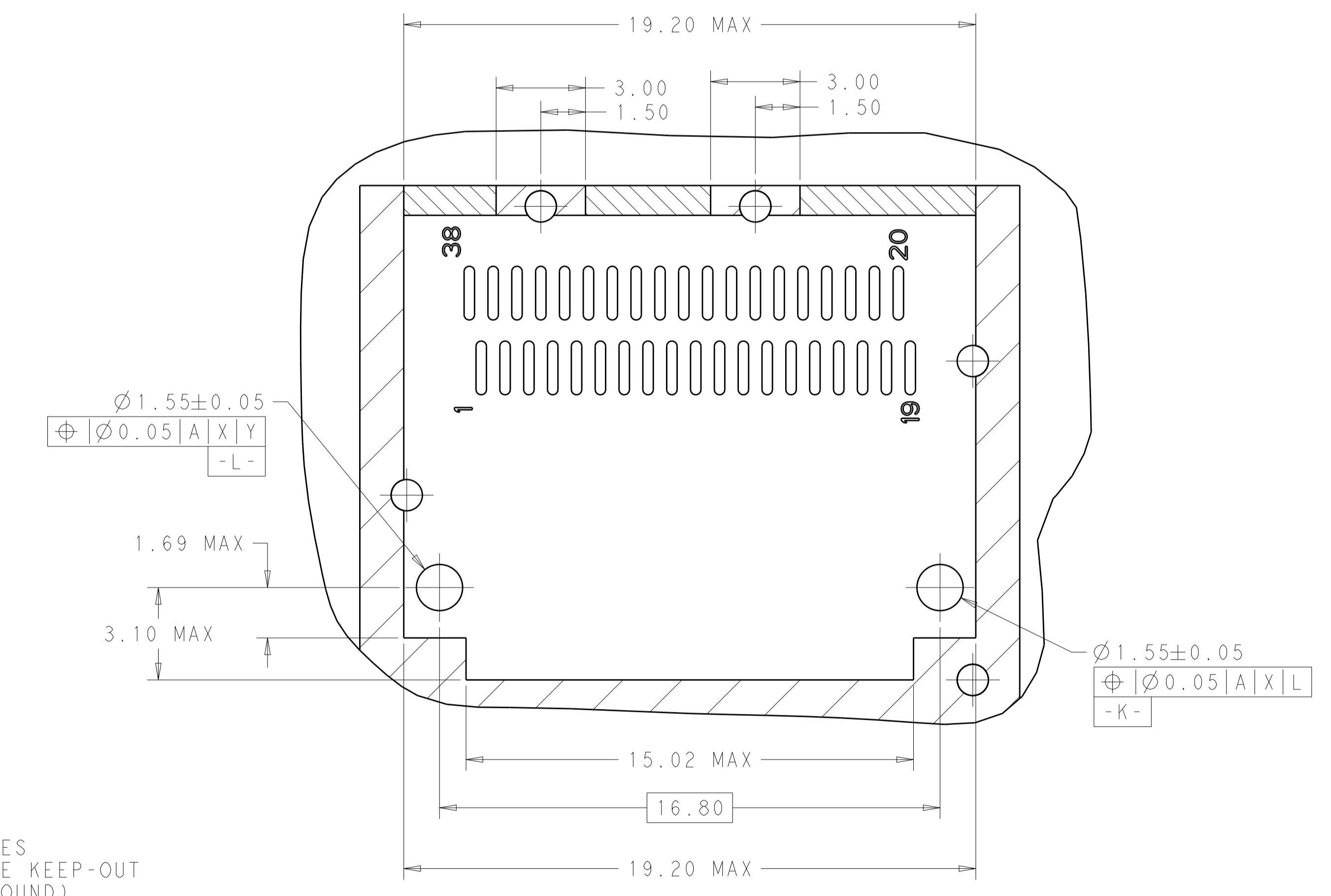
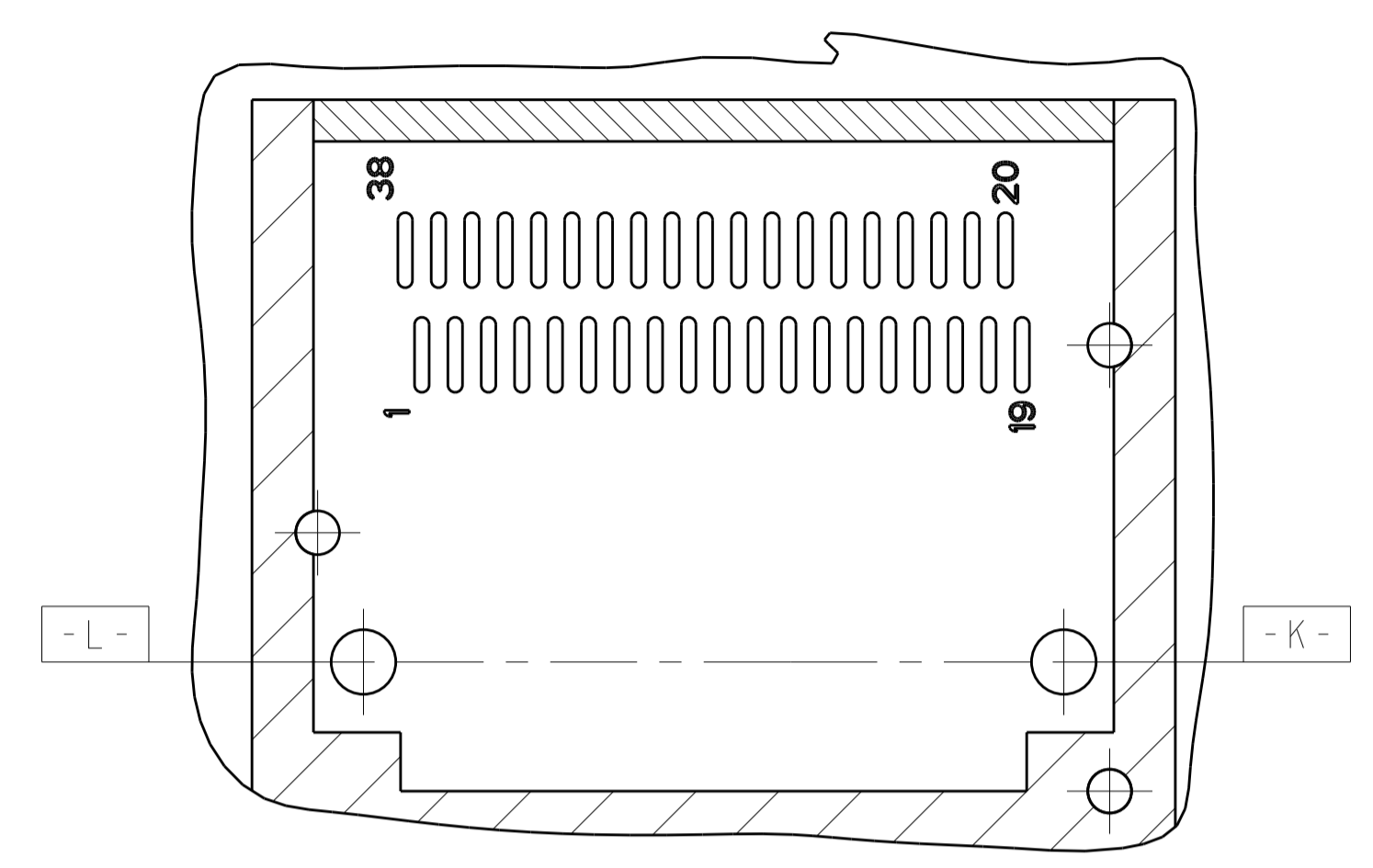
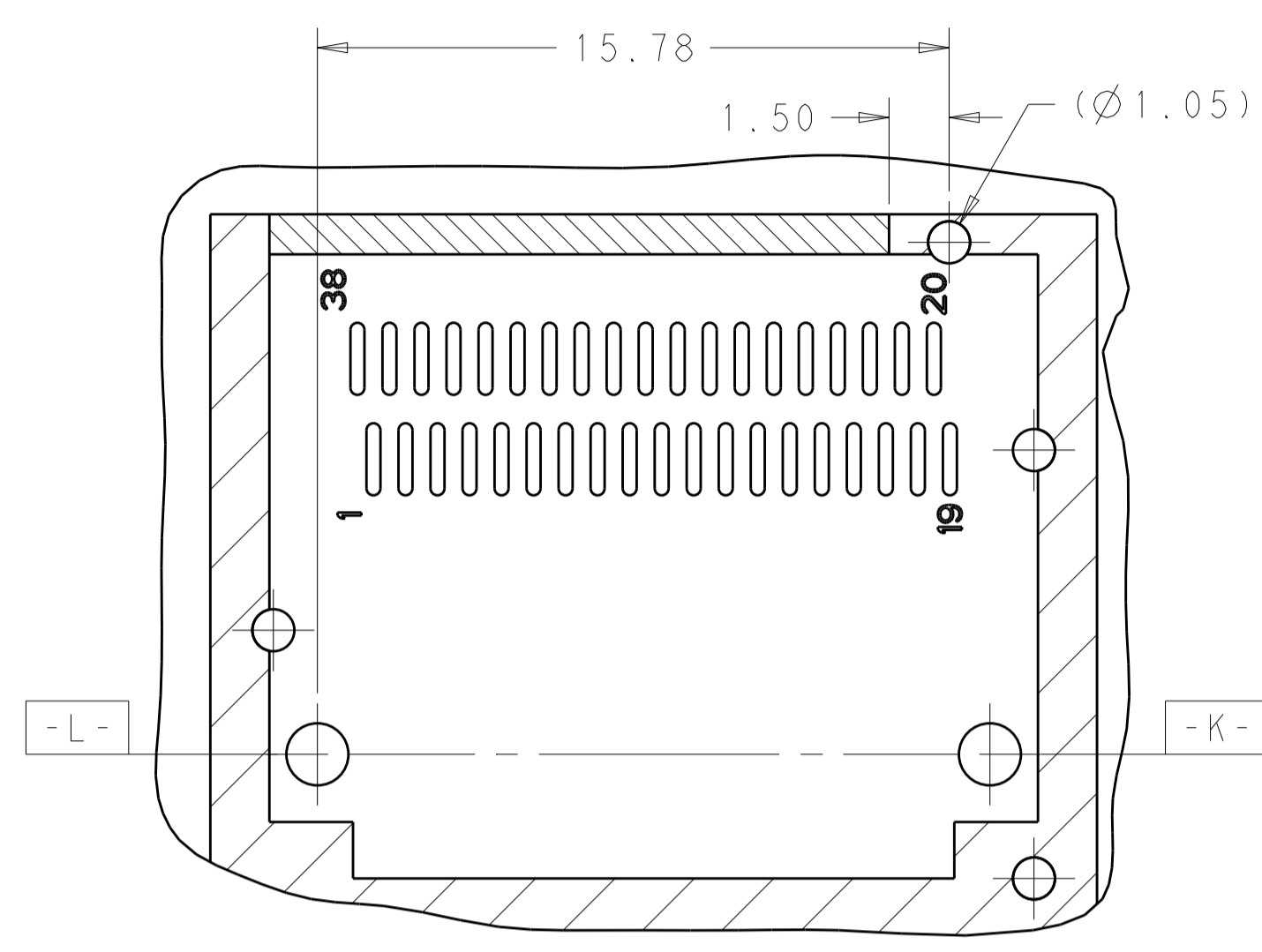
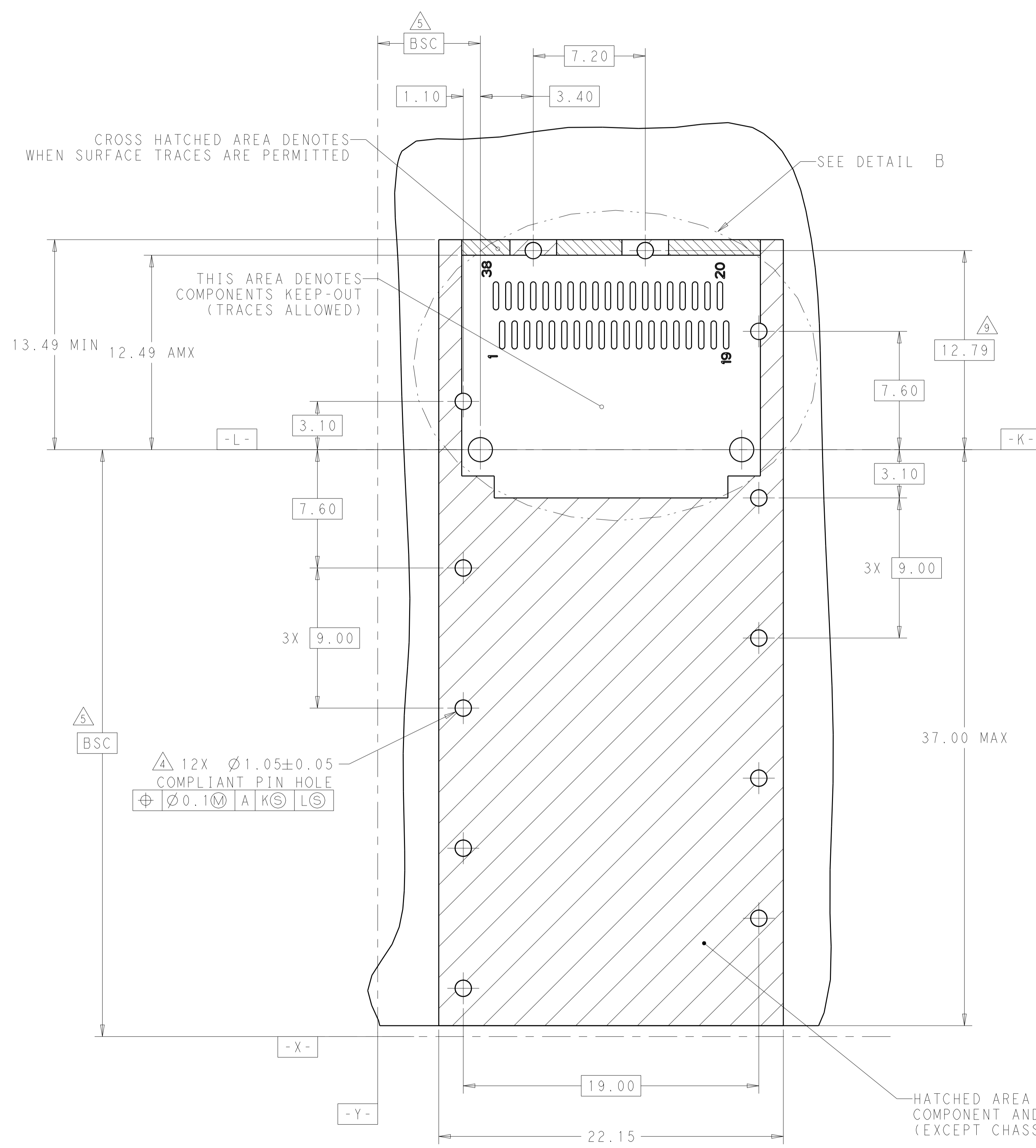
LOC	DIST	REVISIONS			
P	LTN	DESCRIPTION	DATE	DWN	APVD
-	-	SEE SHEET 1	-	-	-



THIS DRAWING IS A CONTROLLED DOCUMENT.		DWN: JASON YANG 01APR2014	TE Connectivity
DIMENSIONS: mm		CHK: SEAN HAN 30DEC2015	
TOLERANCES UNLESS OTHERWISE SPECIFIED:		APVD: -	NAME: CAGE ASSEMBLY, QSFP28 1X1, THRU BEZEL WITH EMI GASKET
0 PLC ±0.25	1 PLC ±0.25	PRODUCT SPEC: 108-19428	SIZE: A
2 PLC ±0.20	3 PLC ±0.100	APPLICATION SPEC: 114-32023	CAGE CODE: 2170752
4 PLC ±	ANGLES ±	WEIGHT: -	RESTRICTED TO: -
MATERIAL: -	FINISH: -	Customer Drawing	SCALE: 4:1 SHEET 3 OF 5 REV A

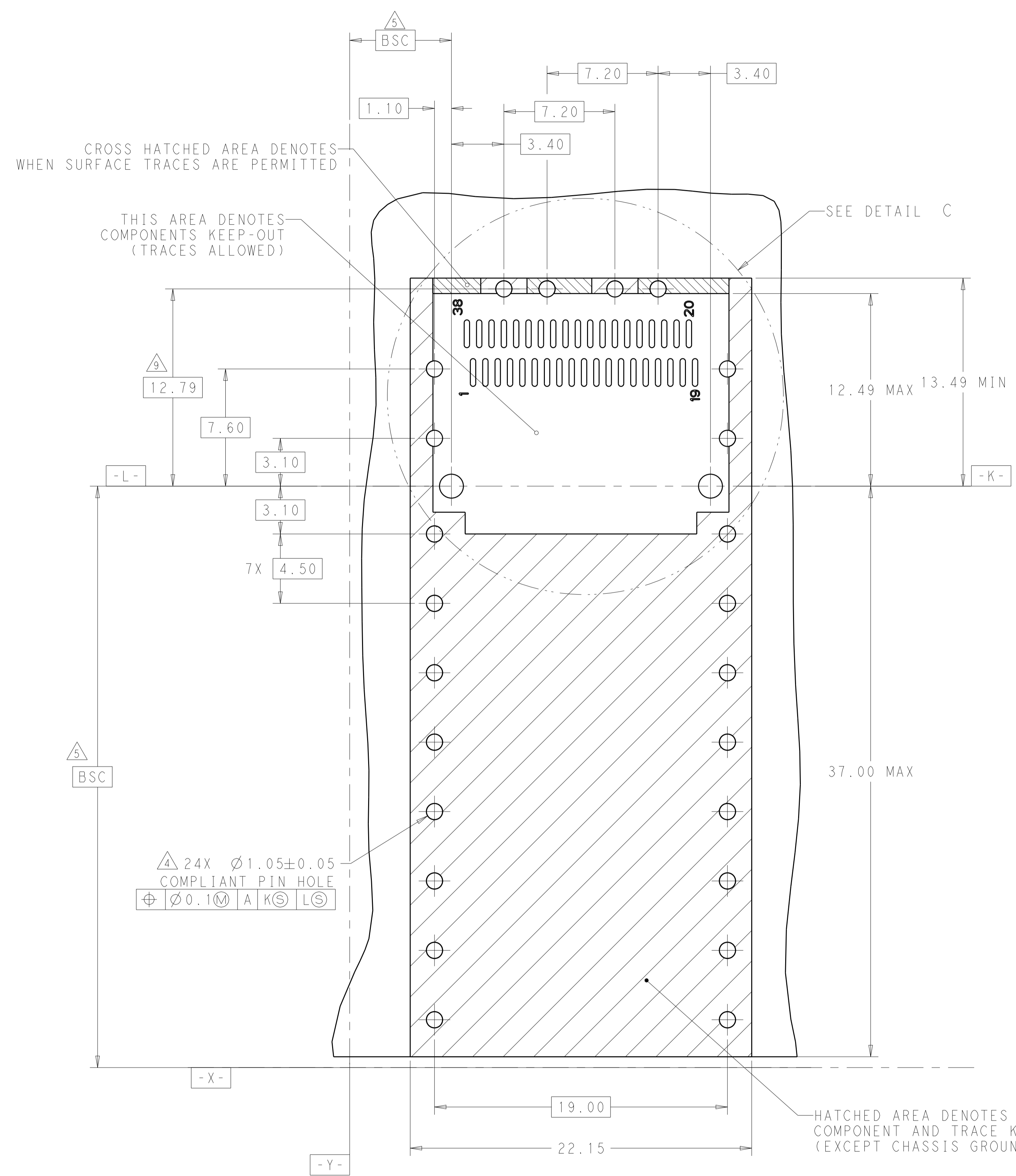
LOC	DIST	REV	DATE	BY	APPD
		1			

REV	DESCRIPTION	DATE	BY	APPD
1	SEE SHEET 1			

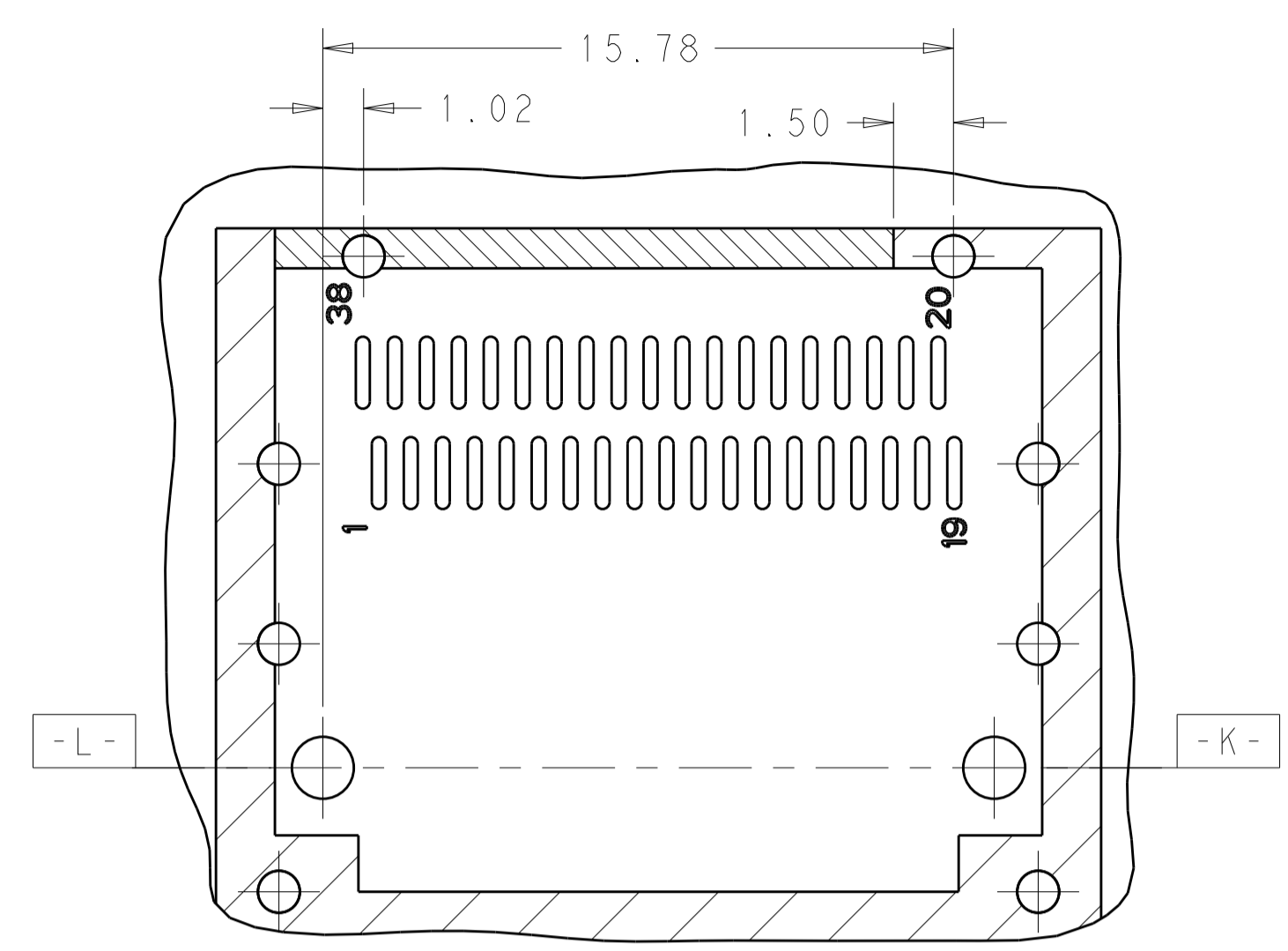


THIS DRAWING IS A CONTROLLED DOCUMENT.		DWN: JASON YANG 01APR2014	TE Connectivity
DIMENSIONS: mm		CHK: SEAN HAN 30DEC2015	
TOLERANCES UNLESS OTHERWISE SPECIFIED:		APVD:	NAME: CAGE ASSEMBLY, QSFP28 1X1, THRU BEZEL WITH EMI GASKET
Ø	1 PLC ±0.25	PRODUCT SPEC: 108-19428	SIZE: A100779
PLC	2 PLC ±0.25	APPLICATION SPEC:	CAGE CODE: 2170752
PLC	3 PLC ±0.20	114-32023	RESTRICTED TO:
PLC	4 PLC ±0.100	WEIGHT:	SCALE: 4:1 SHEET 4 OF 5 REV A
ANGLES	±°	Customer Drawing	

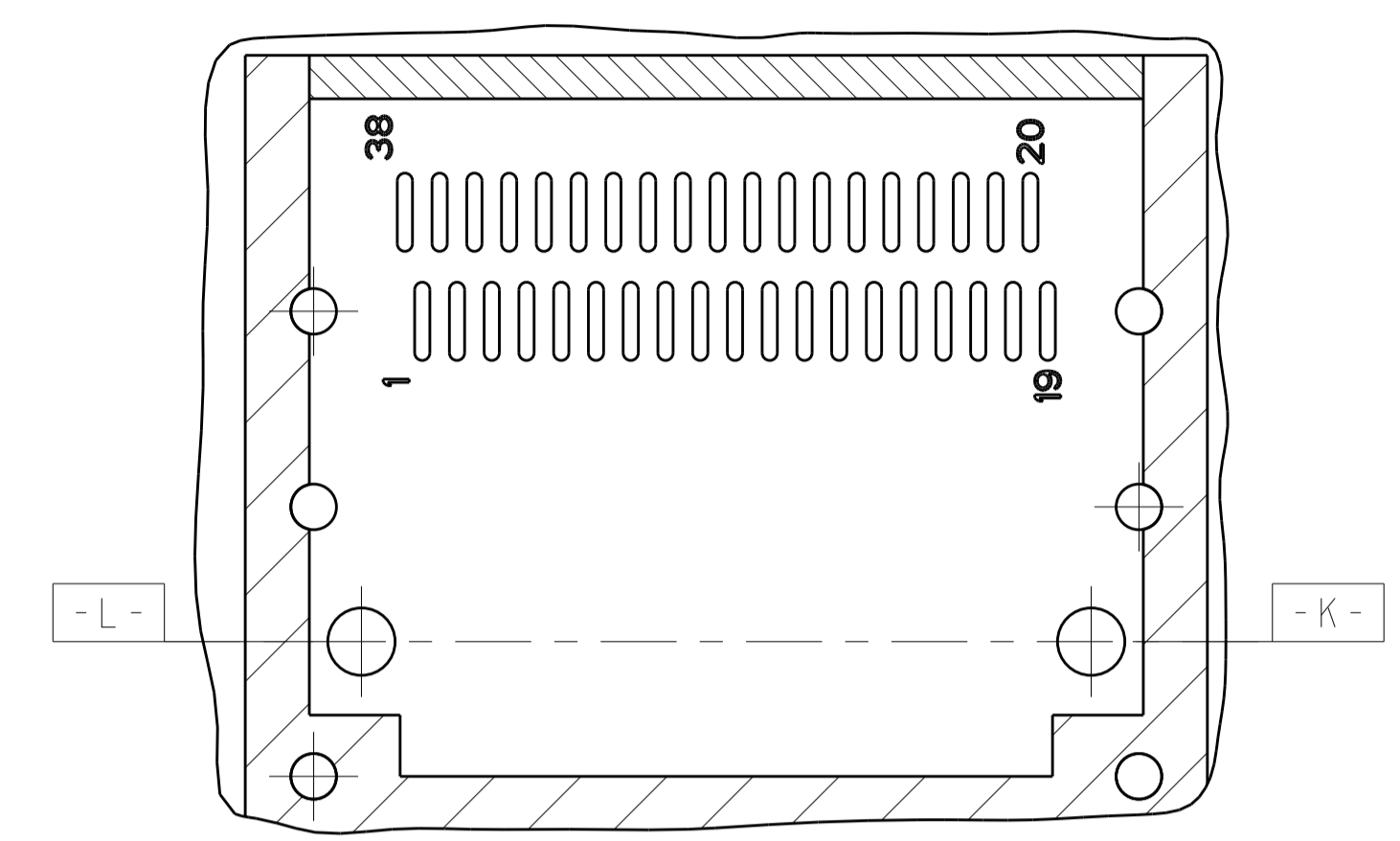
LOC		DIST		REVISIONS			
P	LTN	DESCRIPTION	DATE	DMN	APVD		
-	-	SEE SHEET 1	-	-	-	-	-



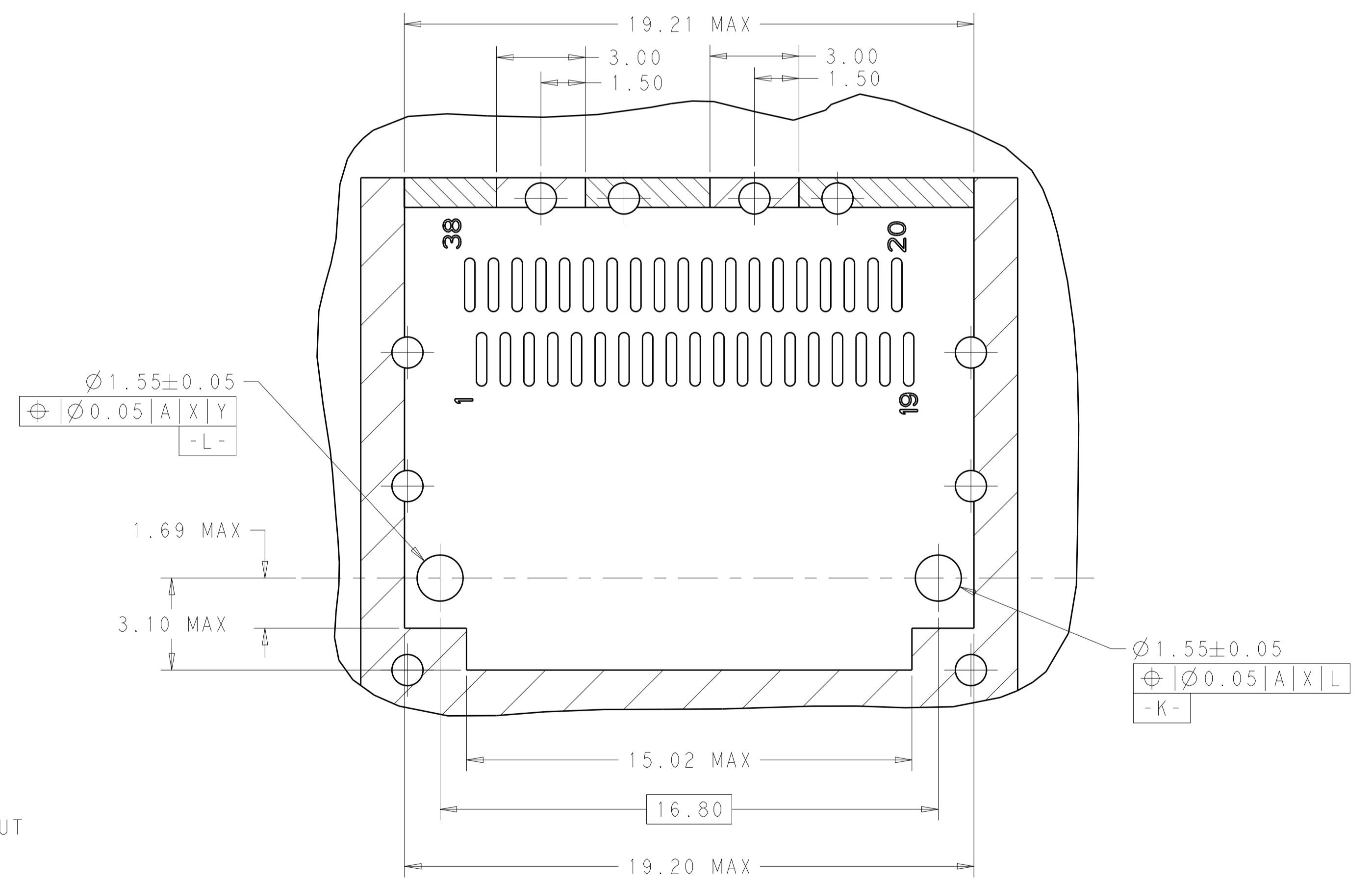
RECOMMENDED PCB LAYOUT
 BELLY TO BELLY TYPE OF 2 REAR HOLES OF LEGS
 PCB TOLERANCE: ± 0.05
 SCALE 6:1



RECOMMENDED PCB LAYOUT
 BELLY TO BELLY TYPE OF 1 REAR HOLES OF LEGS
 PCB TOLERANCE: ± 0.05
 SCALE 6:1



RECOMMENDED PCB LAYOUT
 BELLY TO BELLY TYPE OF 0 REAR HOLES OF LEGS
 PCB TOLERANCE: ± 0.05
 SCALE 6:1



DETAIL C
 SCALE 8:1

THIS DRAWING IS A CONTROLLED DOCUMENT.		DMN: JASON YANG 01APR2014	TE Connectivity
DIMENSIONS: mm		CHK: SEAN HAN 30DEC2015	
TOLERANCES UNLESS OTHERWISE SPECIFIED:		APVD: -	NAME: CAGE ASSEMBLY, QSFP28 1X1, THRU BEZEL WITH EMI GASKET
0 PLC ± 0.25	1 PLC ± 0.25	PRODUCT SPEC: 108-19428	SIZE: A100779
2 PLC ± 0.20	3 PLC ± 0.100	APPLICATION SPEC: 114-32023	CAGE CODE: C=2170752
4 PLC \pm	ANGLES \pm	WEIGHT: -	RESTRICTED TO: -
MATERIAL: -	FINISH: -	Customer Drawing	SCALE: 4:1 SHEET 5 OF 5 REV A