

| REVISIONS | | | | |
|-----------|------------|----------|---|---------|
| ECN NO | DATE | REVISION | DESCRIPTION | CHANGER |
| CY14-5284 | 2013/10/11 | B | CHANGE DP CONNECTOR AND UPDATE BOM | AHOU |
| CY14-6401 | 2014/03/31 | C | 1.CHANGE SHELL 2. CHANGE CONNECTOR | AHOU |
| CY15-6131 | 2015/06/12 | D | CHANGE P1 SIDE CONNECTOR, INNER MOLD AND OUTER MOLD | AHOU |

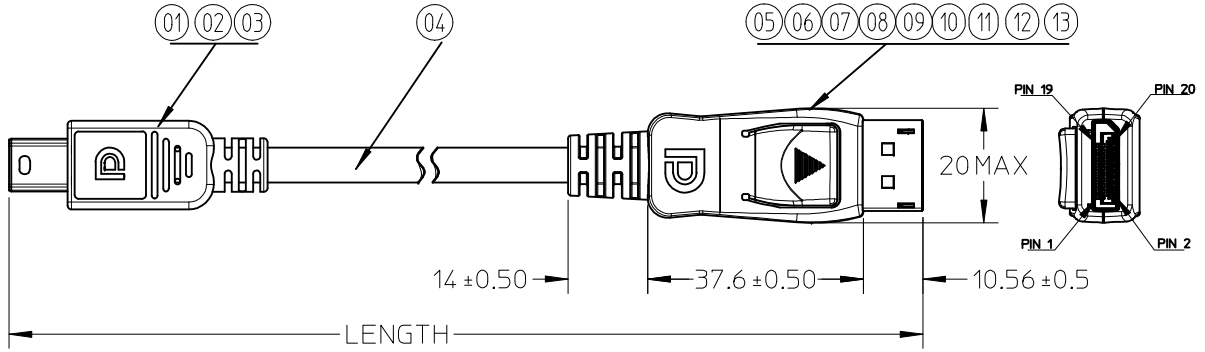
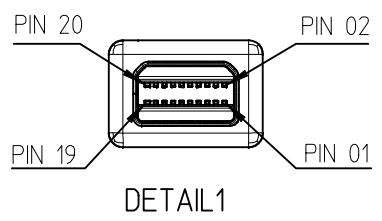
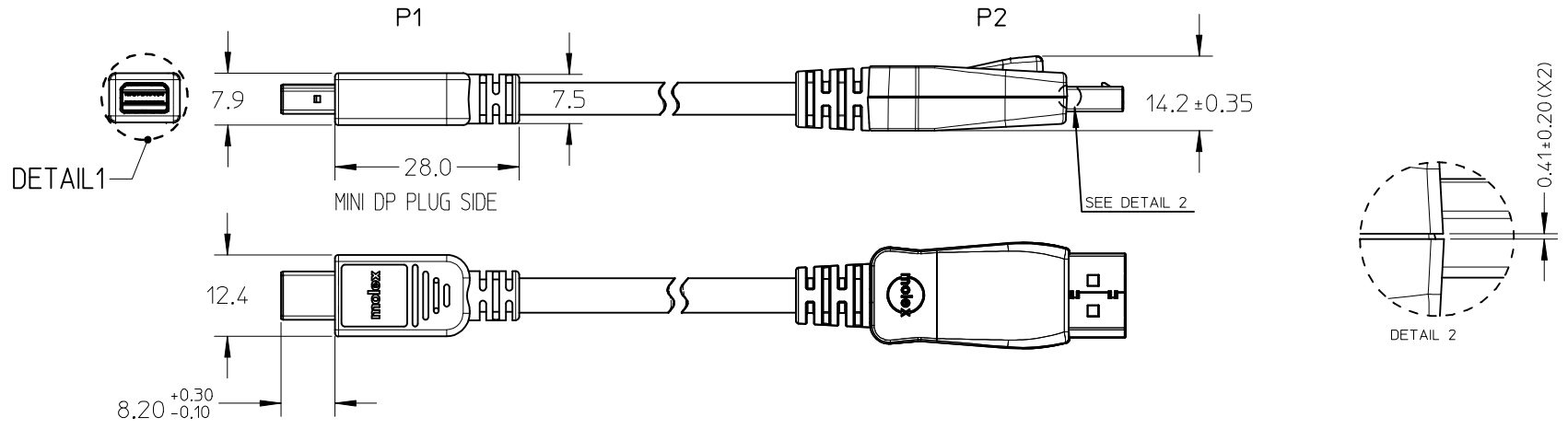


TABLE-1:

| △ B | PART NO. | LENGTH |
|-----|-----------|---------|
| △ B | 687850003 | 2000±40 |
| △ B | 687850002 | 1500±30 |
| △ B | 687850001 | 1000±20 |



| | | | | | | | | | |
|---|--|-------------------------------|--|------------|---|--------------------|---|-------------------------------|------------------------|
| EC NO: CPG2015-6535 DRW/NXJGU001 CHKD:AHOU APPR:FNIE | 2015/06/19 2015/06/19 2015/06/23 | QUALITY SYMBOLS ▽=0 ◻=0 | GENERAL TOLERANCES (UNLESS SPECIFIED) | | DIMENSION STYLE MM ONLY | | SCALE --- | DESIGN UNITS METRIC | THIRD ANGLE PROJECTION |
| | | | 4 PLACES ± --- ± --- 3 PLACES ± --- ± --- 2 PLACES ± 0.25 ± --- 1 PLACE ± 0.5 ± --- ANGULAR ± .5 ° | mm INCH | DRAWN BY JASON.LU | DATE 2009/02/06 | TITLE MINIDP PLUG TO STD DP PLUG CABLE ASSY | | |
| DRAFT WHERE APPLICABLE MUST REMAIN WITHIN DIMENSIONS | | | MATERIAL NO. SEE TABLE-1 | | APPROVED BY CHRIS | | DATE 2009/02/06 | | MOLEX INCORPORATED |
| | | | SIZE A4 | | THIS DRAWING CONTAINS INFORMATION THAT IS PROPRIETARY TO MOLEX INCORPORATED AND SHOULD NOT BE USED WITHOUT WRITTEN PERMISSION | | DOCUMENT NO. SD-68785-0001 | SHEET NO. 1 OF 2 | |

7

6

5

4

3

2

1

WIRING DIAGRAM

| MINI DP PLUG SOURCE SIDE | WIRE COLOR | DP PLUG SINK SIDE | FUNCTION |
|--------------------------|------------|-------------------|-----------------|
| PIN 01 | DRAIN WIRE | PIN 11 | GROUND |
| PIN 03 | WHITE | PIN 12 | ML0+ |
| PIN 05 | BROWN | PIN 10 | ML0- |
| PIN 07 | DRAIN WIRE | PIN 08 | GROUND |
| PIN 09 | WHITE | PIN 09 | ML1+ |
| PIN 11 | RED | PIN 07 | ML1- |
| PIN 13 | DRAIN WIRE | PIN 05 | GROUND |
| PIN 15 | WHITE | PIN 06 | ML2+ |
| PIN 17 | GREEN | PIN 04 | ML2- |
| PIN 19 | RED | PIN 19 | GROUND |
| PIN 02 | ORANGE | PIN 18 | HOT PLUG DETECT |
| PIN 04 | YELLOW | PIN 13 | CONFIG 1 |
| PIN 06 | BROWN | PIN 14 | CONFIG 2 |
| PIN 08 | DRAIN WIRE | PIN 02 | GROUND |
| PIN 10 | WHITE | PIN 03 | ML3+ |
| PIN 12 | BLUE | PIN 01 | ML3- |
| PIN 14 | DRAIN WIRE | PIN 16 | GROUND |
| PIN 16 | WHITE | PIN 15 | AUX+ |
| PIN 18 | ORANGE | PIN 17 | AUX- |
| PIN 20 | --- | PIN 20 | NO CONNECTION |
| SHELL | BRAID | SHELL | GROUND |

NOTES:

- APPEARANCE REQUIREMENT: UNLESS OTHER SPECIFIED FOLLOW CORRELATIVE MOLEX WORKMANSHIP STANDARD.
- MECHANICAL SPECIFICATION:
 - PULL FORCE FOR CABLE: 5.0 KGF FOR ONE MINUTE.
 - FLEXING TEST FOR STRAIN RELIEF: 100 CYCLES IN EACH OF TWO PLANES PER EIA 364-41.
- ELECTRICAL CHARACTERISTIC: MUST MEET MOLEX ES-000 & ES-042.
- ASSEMBLY REQUIREMENTS:
 - THE JOINT BETWEEN DP PLUG AND METAL CAN MUST BE SOLDERED.
- THIS PRODUCT MUST MEET THE MOLEX CHEMICAL SUBSTANCE REQUIREMENT: MOLEX ES-40000-5016.

| | | | | | |
|--|----|--------------------------------------|--|----------|-------|
| | 13 | STRAIN RELIEF FOR DP BLACK | --- | 1 PCS | |
| | 12 | COVER-UP FOR DISPLAYPORT | --- | 1 PCS | |
| | 11 | COVER-DOWN FOR DISPLAYPORT | --- | 1 PCS | |
| | 10 | LATCH FOR DISPLAYPORT 2 | --- | 1 PCS | |
| | 09 | LATCH FOR DISPLAYPORT 1 | --- | 1 PCS | |
| | 08 | INNER-SHELL-LOWER FOR DISPLAYPORT | | | |
| | 07 | INNER-SHELL-UPPER FOR DISPLAYPORT | | 1 PCS | |
| | 06 | PLUG SUB-ASSY FOR DISPLAYPORT | ABS+PC | 1 PCS | |
| | 05 | PRE-CUT COPPER FOIL 14 x 40mm T=25u | COPPER | 1 PCS | |
| | 04 | MINIDP CABLE, 5PX34+4CX32AWG, Ø4.9MM | --- | --- | |
| | | 03 | Double Elec.PRE-CUT C.FOIL 35X18mm T=25u | --- | 1 PCS |
| | | 02 | wire holder 34AWG DP mini-DP to mini-DP | --- | 1 PCS |
| | | 01 | auto-soldering type Mini-DP, 15u plated | --- | 1 PCS |
| | | ITEM | DESCRIPTION | MATERIAL | USAGE |

| | | | | | | | | | | |
|---|-------------------------------|---------------------------------------|--------|----------------------------|---|--------------------|---|------------------------|-------------------------------|---------------------|
| EC NO: CPG2015-6535 2015/06/19 DRW:NXJGU001 CHKD:AH00 APPR:FNIE 2015/06/23 | QUALITY SYMBOLS ▼=0 ◻=0 | GENERAL TOLERANCES (UNLESS SPECIFIED) | | DIMENSION STYLE MM ONLY | | SCALE ---- | DESIGN UNITS METRIC | THIRD ANGLE PROJECTION | | |
| | | | mm | INCH | DRAWN BY JASON.LU | DATE 2009/02/06 | TITLE MINIDP PLUG TO STD DP PLUG CABLE ASSY | | | |
| | | 4 PLACES | ± --- | ± --- | CHECKED BY CHRIS | DATE 2009/02/06 | MOLEX INCORPORATED | | | |
| | | 3 PLACES | ± --- | ± --- | APPROVED BY | | MATERIAL NO. SEE TABLE-1 | | DOCUMENT NO. SD-68785-0001 | SHEET NO. 2 OF 2 |
| | | 2 PLACES | ± 0.25 | ± --- | DRAFT WHERE APPLICABLE MUST REMAIN WITHIN DIMENSIONS | | | | | |
| | | 1 PLACE | ± 0.5 | ± --- | SIZE A 4 THIS DRAWING CONTAINS INFORMATION THAT IS PROPRIETARY TO MOLEX INCORPORATED AND SHOULD NOT BE USED WITHOUT WRITTEN PERMISSION | | | | | |
| | | ANGULAR ± .5 ° | | | | | | | | |

6

5

4

3

2

1