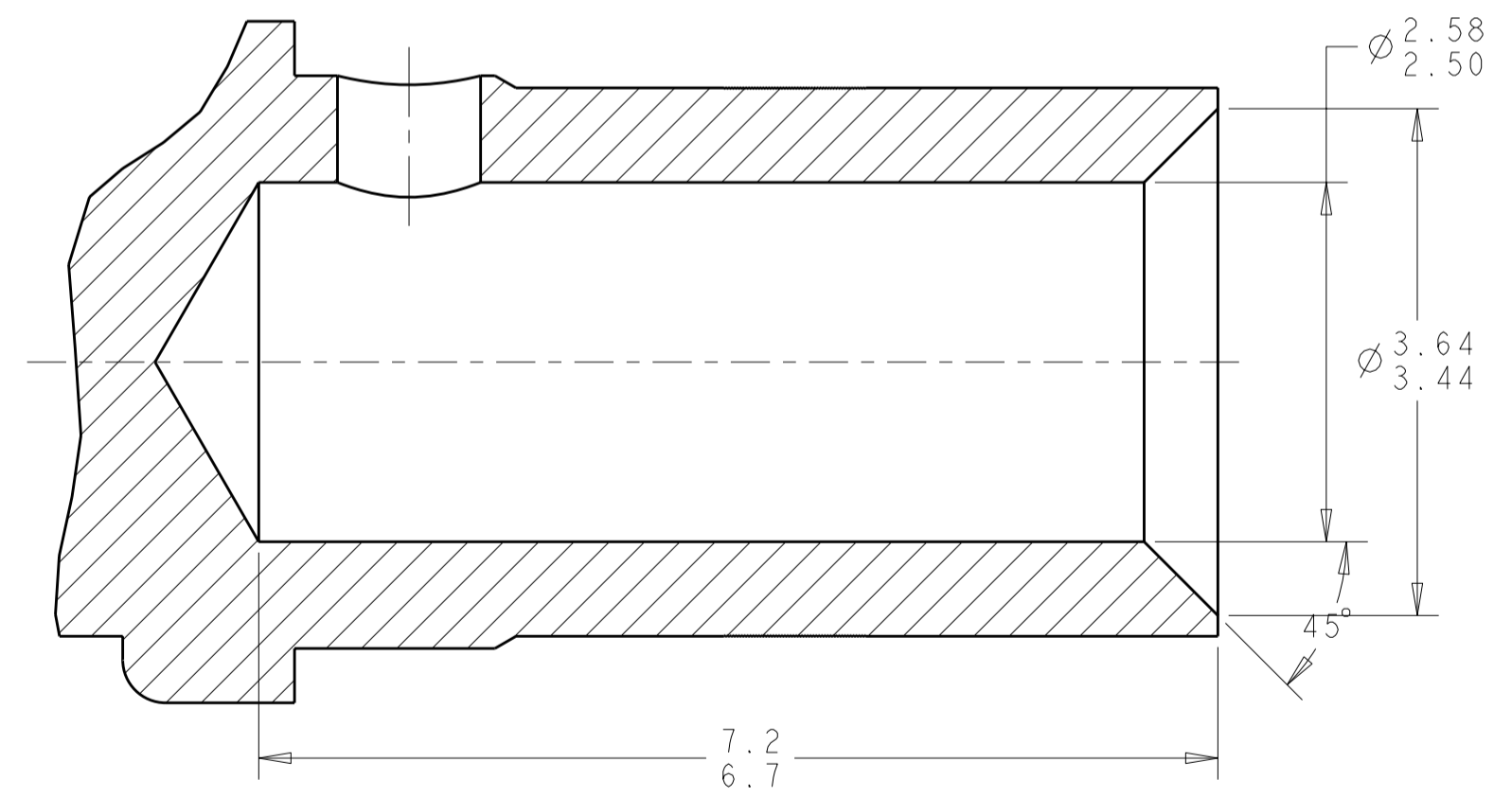
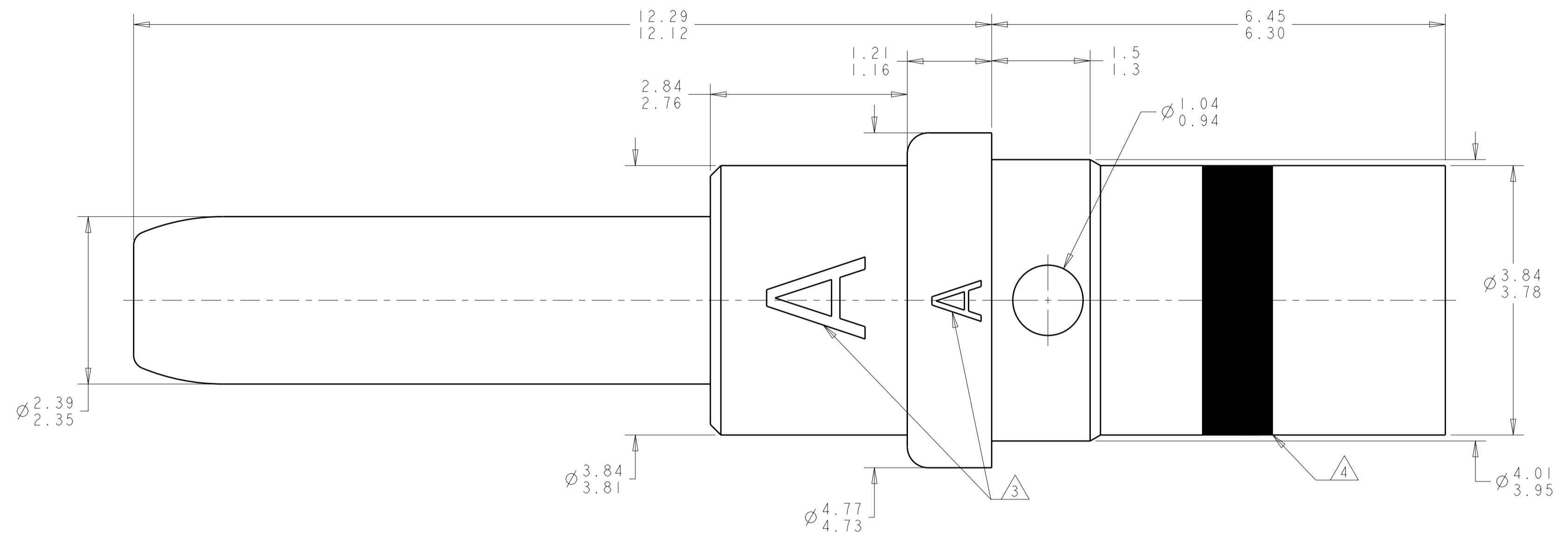


THIS DRAWING IS UNPUBLISHED. RELEASED FOR PUBLICATION 20  
 © COPYRIGHT 20 BY TYCO ELECTRONICS CORPORATION. ALL RIGHTS RESERVED.

LOC	DIST	REVISIONS			
P	LTR	DESCRIPTION	DATE	DWN	APVD
DF	A5				
1		PROPOSED	28FEB2005	BW	JPM
2		REVISED	05AUG2010	BW	JM



- 1 COPPER ALLOY C97.
- 2 1.27µm MIN GOLD PER ASTM B488 OVER 2.54µm MIN NICKEL PER QQ-N-290 ON ENTIRE STOCK.
- 3 TWO POSSIBLE LOCATIONS FOR THE LETTER "A" MARKING. OPTIONAL ALTERNATE MARKING: LETTER "S"
- 4 YELLOW COLOR BAND.
- 5. APPLICABLE WIRE SIZE: 12-16 AWG  
 WIRE INSULATION DIAMETER: 3.4mm MAX  
 INSULATION STRIP LENGTH: 5.75mm-6.25mm
- 6. APPLICATION TOOLING:  
 CRIMPING TOOL: TYCO PART NUMBER 601967-1 (M22520/1-01)  
 POSITIONER: TYCO PART NUMBER 601967-2 (M22520/1-02)  
 SELECTOR POSITION: AWG 12 : 8  
                           AWG 14 : 7  
                           AWG 16 : 6  
 CONTACT INSERTION/EXTRACTION TOOL: 1738327-1 (M81969/28-02) OR 1-1192028-1 (M81969/14-04)
- 7. THIS PRODUCT IS SOLD BY TYCO ELECTRONICS UNDER A LICENSE FROM RADIALL SA.

1738017-1  
 PART NUMBER

THIS PRINT IS  
**PRELIMINARY**  
 UNQUALIFIED PRODUCT  
 CONTACT PRODUCT ENGINEERING  
 BEFORE USING THIS PRINT

THIS DRAWING IS A CONTROLLED DOCUMENT FOR TYCO ELECTRONICS CORPORATION. IT IS SUBJECT TO CHANGE AND THE CONTROLLING ENGINEERING ORGANIZATION SHOULD BE CONTACTED FOR THE LATEST REVISION.		DWN BW 28FEB2005	Tyco Electronics Harrisburg, PA 17105-3608	
DIMENSIONS: mm		CHK JPM 28FEB2005	NAME PIN CONTACT, SIZE 12, GPR	
TOLERANCES UNLESS OTHERWISE SPECIFIED: 0 PLC ± 1 PLC ± 2 PLC ±0.05 3 PLC ± 4 PLC ± ANGLES ± FINISH		APVD JPM 28FEB2005	RESTRICTED TO -	
MATERIAL 1		PRODUCT SPEC -	SIZE A200779	CAGE CODE C-1738017
		APPLICATION SPEC -	DRAWING NO 1738017	REV 2
		WEIGHT -	SCALE 20:1	SHEET 1 OF 1
		CUSTOMER DRAWING		