

WAU24-450

Electrical Specifications (@25C)

1. Primary Rating: 120V 60Hz 15W
2. Primary Excitation Current: 80mA Max
3. Secondary Rating: 24VAC \pm 5%, 450mA AC
4. Secondary No-Load Rating: 27.90VAC Ref.
5. No Load Power (stand by): \leq 0.5W
6. Average Efficiency: 80%
7. Operating Temperature Range: -10 Deg C to +40 Deg C
8. Temperature Rise: 75 Deg C Max at rated load
50 Deg C Max on enclosure surface

Mechanical Parameters:

Case Type: Thermoplastic molded enclosure.
Output Cord: 24 AWG, 6 Ft. Long Min.

Agency File:

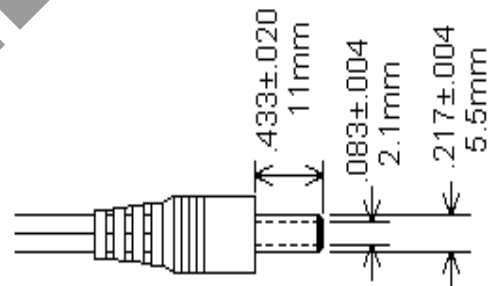
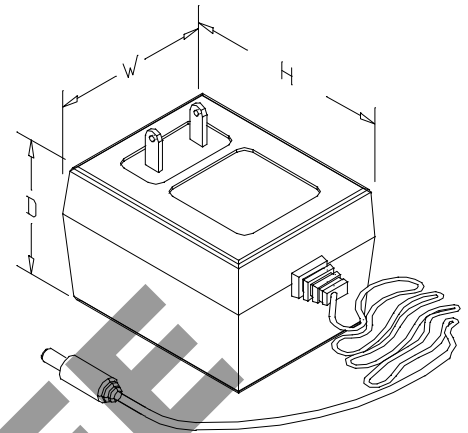
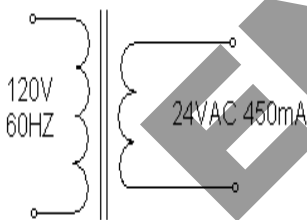
UL/CUL: File E245587, UL 1310

A. Dimensions:

H	W	D
70	50	41

*Units: In Millimeter

B. Schematic:



TRIAD

CLASS 2 POWER SUPPLY

MODEL:WAU24-450

INPUT:120VAC 60Hz,15W

OUTPUT:24VAC @450mA



LISTED
5G66
E245587



MADE IN CHINA XXXX

DOE/CEC Compliance: This power supply meets the minimum efficiency requirements per Department of Energy and California Energy Commission.

RoHS Compliance: As of manufacturing date February 2005, all standard products meet the requirements of 2011/65/EU, known as the RoHS initiative.

* Upon printing, this document is considered "uncontrolled". Please contact Triad Magnetics' website for the most current version.