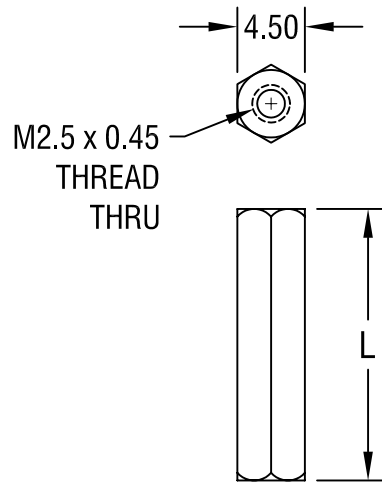


THIS DOCUMENT IS THE PROPERTY OF
KEYSTONE ELECTRONICS CORP. AND
SHALL NOT BE REPRODUCED, DISTRIBUTED
OR USED AS A BASIS FOR MANUFACTURE
WITHOUT PRIOR WRITTEN PERMISSION
FROM KEYSTONE ELECTRONICS CORP.



| PART NO. | 'L' DIM. |
|----------|----------|
| 24385 | 15.00 |
| 24386 | 18.00 |
| 24387 | 20.00 |
| 24388 | 25.00 |

NOTE:

1. ALL DIMENSIONS ARE IN MILLIMETERS

| | | | |
|-----------------------------------|------|----------|--------------------|
| KEYSTONE ELECTRONICS CORP. | | | |
| ASTORIA, N.Y. 11105-2017 | | | |
| PART NAME | | | |
| 4.5mm THREADED HEX STANDOFF | | | |
| MATERIAL | | | |
| BRASS | | | |
| FINISH | | DRN BY | DATE |
| NICKEL PLATE | | BOONE | 5.8.06 |
| | | APP'D | SCALE |
| | | LN | 2X |
| TOLERANCES | INCH | [MM] | CODE |
| DECIMAL | ± | [± 0.15] | C/M |
| ANGULAR | ± 1° | | |
| UNLESS OTHERWISE SPECIFIED | | | DWG NO. |
| | | | 24385-24388 |

| DATE | DESCRIPTION | REV. |
|------|-------------|------|
| | | |