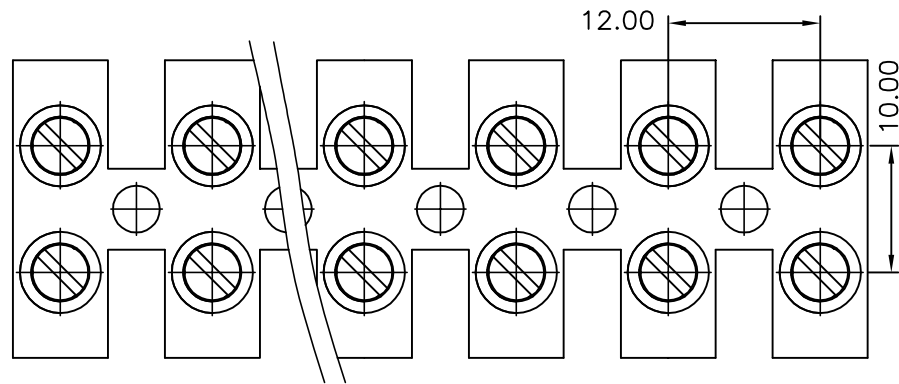
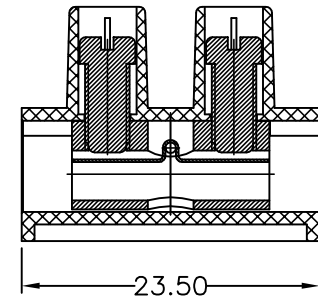
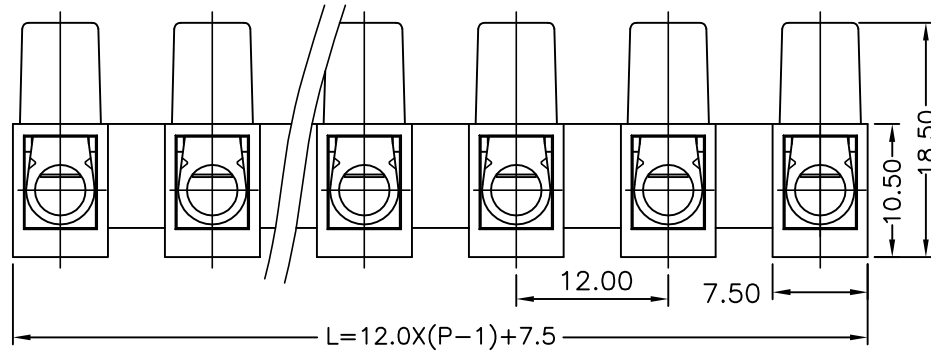


SIGN	DATE	DESCRIPTION	APPROVER
THIS IS CAD DRAWING, DO NOT REVISE MANUALLY!!!			



- NOTES:
1. Rating: 300V 30A (UL)
 2. Insulation Withstanding Voltage: AC2000V/MIN
 3. Insulation Resistance: $\geq 500M\Omega$ or more at DC500V
 4. Temperature Range: $-33^{\circ}C/+105^{\circ}C$
 5. Screw Torque Value: 7.0 lbf-in (UL)
 6. Suitable Electric Wire: 10-20AWG

RoHS Compliant

DTM \ P	2	3	4	5	6	7	8	9	10	11	12
L	19.5	31.5	43.5	55.5	67.5	79.5	91.5	103.5	115.5	127.5	139.5
TOL (±)	0.08	0.12	0.16	0.20	0.24	0.28	0.32	0.36	0.40	0.44	0.48

THESE DRAWINGS AND SPECIFICATIONS ARE THE PROPERTY OF ON-SHORE TECHNOLOGY, INC. AND SHALL NOT BE REPRODUCED, COPIED OR USED IN ANY MANNER WITHOUT THE PRIOR WRITTEN CONSENT OF ON-SHORE TECHNOLOGY, INC.



TITLE		ES1200 Series - 12.0mm Euro Strip, Wire guard, flat base			
PART NO.	ES1200/XXDSFB	DX - number of poles per row		DWG NO.	ES1200/XXDSFB.DWG
APPROVED	CHECKED	DESIGNED	DRAWN	5020	
KSZ 2007.08.01	KSZ 2007.08.01	KSZ 2007.08.01	KSZ 2007.08.01	Tolerance	
				UNIT: mm	.X ±015
				SCALE: NONE	.XX ±0.075
SHEET: 01/01				REV.: A	.XXX ±0.05