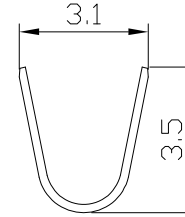
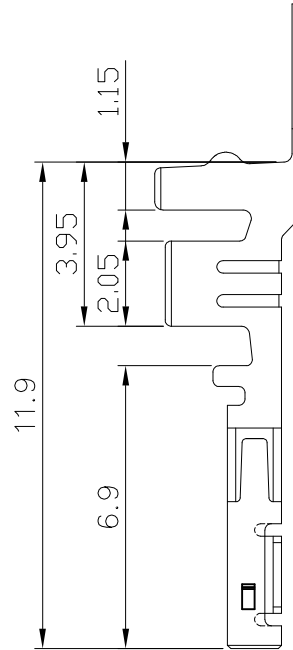
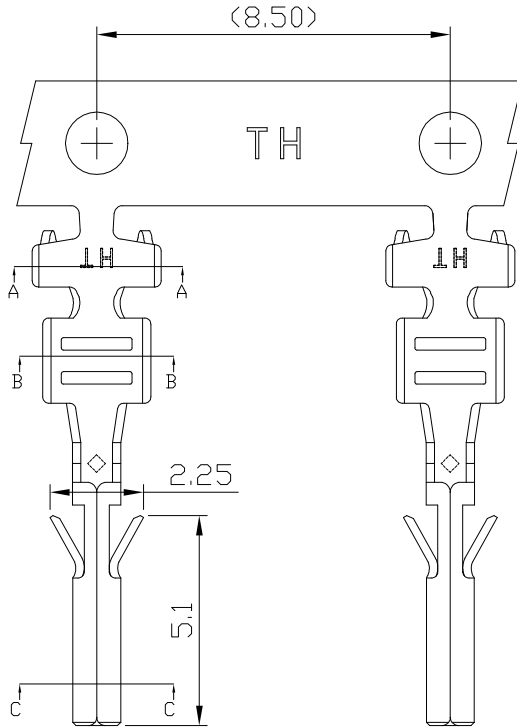
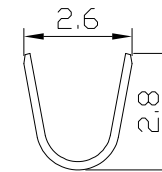


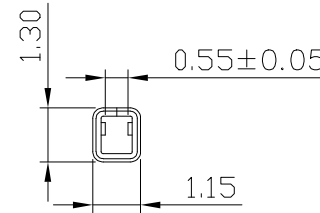
PRODUCT NUMBER
SEE PART NO. TABLE



Section A-A



Section B-B



Section C-C

NOTES:

1. MATERIAL: HIGH CONDUCTIVITY COPPER ALLOY.
2. THIS TERMINAL IS USED WITH FCI RECEPTACLE HSG 10132445.
3. PRODUCT SPECIFICATION: GS-12-1291.
4. PACKAGE SPECIFICATION: GS-14-2419.
5. APPLICABLE FOR AWG 16~20 WIRES, WITH MAX. INSULATION OD 2.2mm
6. PART NUMBER SCHEME:
10132447-1 X 1 X LF

PLATING TYPE:
P: PRE-PLATED

PLATING CODE:
1: GOLD FLASH OVER NICKEL
2: TIN OVER NICKEL
4: 30u" GOLD PLATING OVER NICKEL

mat'l. code				surface	tolerance	projection	product family				
ltr				ecn no	dr	date	MINITEK PWR				
A				TAI	2015-02-25	angles	title				
B				ELX-T-22964	TAI	2016-01-06	MINITEK PWR3.0 REC. TERM. HIGH CURRENT				
C				ELX-N-26528	TONY	2017-03-31	scale N.T.S.				
D				ELX-N-30328	TONY	2018-05-30	dwg no				
							sheet 1 of 1				
							size				
							10132447				
							A4				
							type				
							Product Customer Drawing				
sheet index		revision sheet		D							
		1									