

7

6

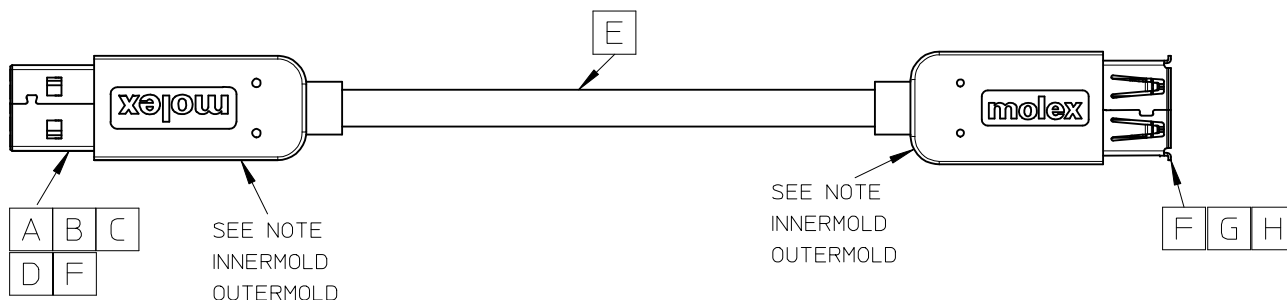
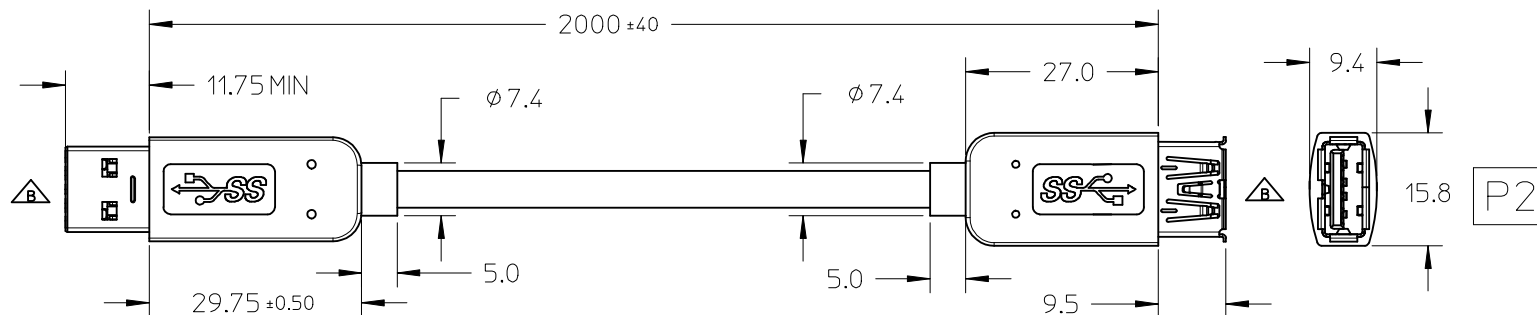
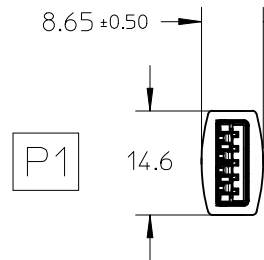
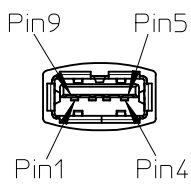
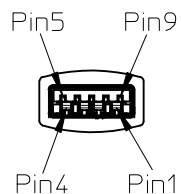
5

4

3

2

1



WIRING CHART			
P1	SIGNAL NAME	WIRE COLOR	P2
1	VBUS	RED	1
2	D-	WHITE	2
3	D+	GREEN	3
4	GND	BLACK	4
5	Std_SSRX-	BLUE	5
6	Std_SSRX+	YELLOW	6
7	GND_DRAIN	GND_DRAIN	7
8	Std_SSTX-	PURPLE	8
9	Std_SSTX+	ORANGE	9
SHELL	SHIELD	BRAID	SHELL

REVISIONS				
EC NO	DATE	REV	DESCRIPTION	CHANGER
N/A	2013/12/17	A	INITIAL RELEASE.	IFEI
CY14-6253	2014/03/10	B	TO MODIFY THE CHARACTERISTIC OF CONNECTORS.	IFEI

H	USB3.0 STD A COPPER FOIL		1
G	USB 3.0 STD A FEMALE CONNECTOR		1
F	HST F 1.5MM 125C (UL) BLK HF	A/R	
E	USB 3.0 CABLE (2P+1P)*28*2C*24, SHLD,PVC, BLK, 5.0, UL2725	A/R	
D	PRE-CUT COPPER FOIL 25*5		1
C	FRONT METAL FOR STD A PLUG		1
B	USB 3.0 STD A CONNECTOR ASSY		1
A	REAR METAL FOR STD A PLUG		1
ITEM	DESCRIPTION	L(MM)	QTY

<b>SEE REVISIONS</b> EC NO: CPG2014-2620 DRWN: IFEI 2014/02/25 CHKD: APPR: RTSAI 2014/03/11	<b>QUALITY SYMBOLS</b> 	<b>GENERAL TOLERANCES (UNLESS SPECIFIED)</b>		<b>DIMENSION STYLE</b> <b>MM ONLY</b>		<b>SCALE</b> <b>1:1</b>	<b>DESIGN UNITS</b> <b>METRIC</b>	<b>THIRD ANGLE PROJECTION</b>			
		4 PLACES ± --- ± --- 3 PLACES ± --- ± --- 2 PLACES ± 0.25 ± --- 1 PLACE ± 0.5 ± --- 0 PLACE ± --- ± ---		DRAWN BY DATE IFEI 2014/01/16		CHECKED BY DATE		<b>TITLE</b> <b>USB 3.0 A MALE TO FEMALE 2.0M</b>			
		APPROVED BY DATE RTSAI 2014/01/17		MATERIAL NO. <b>687890003</b>		DOCUMENT NO. <b>SD-68789-009</b>		<b>molex</b>			
		<b>ANGULAR ± 3 °</b> <b>DRAFT WHERE APPLICABLE MUST REMAIN WITHIN DIMENSIONS</b>		<b>SIZE</b> 		<b>THIS DRAWING CONTAINS INFORMATION THAT IS PROPRIETARY TO MOLEX INCORPORATED AND SHOULD NOT BE USED WITHOUT WRITTEN PERMISSION</b>		<b>SHEET NO.</b> <b>1 OF 2</b>			

6

5

4

3

2

1

7

6

5

4

3

2

1

**NOTE:****1. OVERMOLDING SPECIFICATION:**

- 1.1 INNER MOLDING: PE RESIN  
1.2 OUTER MOLDING: PVC RESIN

**2. APPLICATION CONDITION**

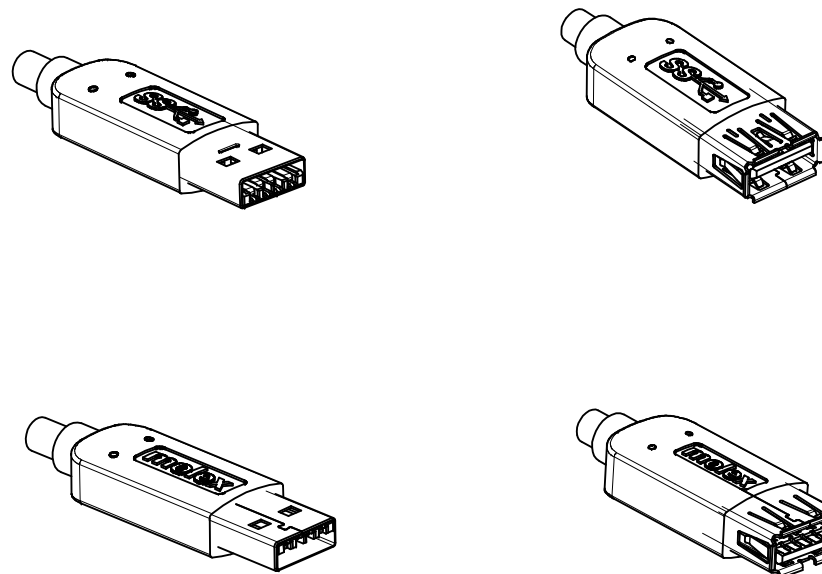
- 2.1 WORKING TEMPERATURE: 0° — +50°  
2.2 STORAGE TEMPERATURE: -20° — +60°

**3. MECHANICAL PERFORMACNE**

- 3.1. CABLE ASSLY CAN PASS FLEXING TEST IN 100 CYCLES AT EACH OF 2 PLANES, PER EIA364-41 CONDITION I.  
3.2. CABLE ASSEMBLY SR AREA SHOULD WITHSTAND A PULL FORCE 40N FOR ONE MINUTE WITHOUT COSMETIC AND FUNCTION DAMAGE.

**4. ELECTRICAL PERFORMACNE**

- 4.1 CURRENT RATING: 1.8A FOR POWER WIRE/ 0.25A FOR SIGNAL WIRE  
4.2 VOLTAGE RATING: 30V AC

**5. THIS PRODUCT MUST MEET THE EU RoHS CHEMICAL SUBSTANCES SPECIFICATION FOR PRODUCTS ( 2011/65/EU ).**

<b>SEE REVISIONS</b> EC NO: CPG2014-2620 DRWN: IFEI 2014/02/25 CHKD: APPR: RTSAI 2014/03/11	DESCRIPTION REV	QUALITY SYMBOLS	GENERAL TOLERANCES (UNLESS SPECIFIED)		DIMENSION STYLE MM ONLY		SCALE 1:1	DESIGN UNITS METRIC	THIRD ANGLE PROJECTION	
		▽ <sub>F</sub> = 0	4 PLACES ± --- ± ---	mm	INCH	DRAWN BY IFEI	DATE 2014/01/16	TITLE USB 3.0 A MALE TO FEMALE 2.0M		
		▽ <sub>F</sub> = 0	3 PLACES ± --- ± ---			CHECKED BY	DATE			
		▽ <sub>F</sub> = 0	2 PLACES ± 0.25 ± ---			APPROVED BY RTSAI	DATE 2014/01/17	<div style="text-align: center; font-size: 2em; font-weight: bold;">molex</div> DOCUMENT NO. SD-68789-009 SHEET NO. 2 OF 2		
	1 PLACE ± 0.5 ± ---			MATERIAL NO. 687890003						
	0 PLACE ± --- ± ---	ANGULAR ± 3 °		SIZE A 4		THIS DRAWING CONTAINS INFORMATION THAT IS PROPRIETARY TO MOLEX INCORPORATED AND SHOULD NOT BE USED WITHOUT WRITTEN PERMISSION				
DRAFT WHERE APPLICABLE MUST REMAIN WITHIN DIMENSIONS										

6

5

4

3

2

1