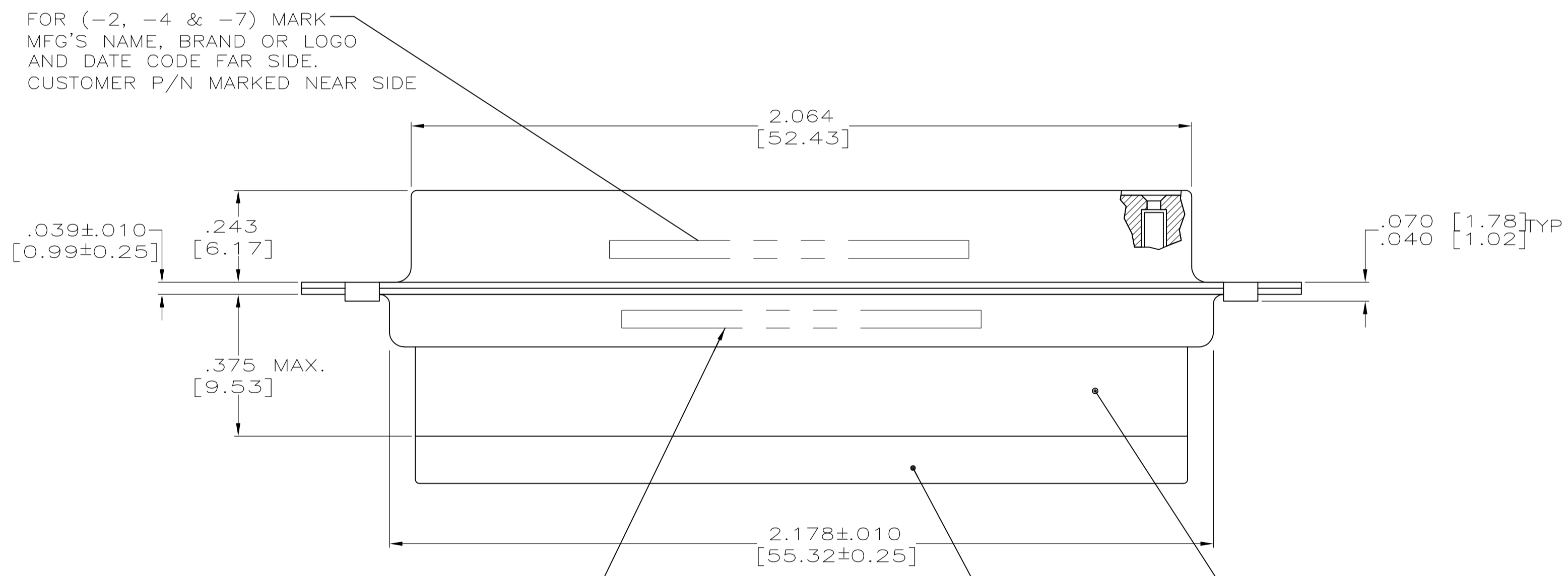


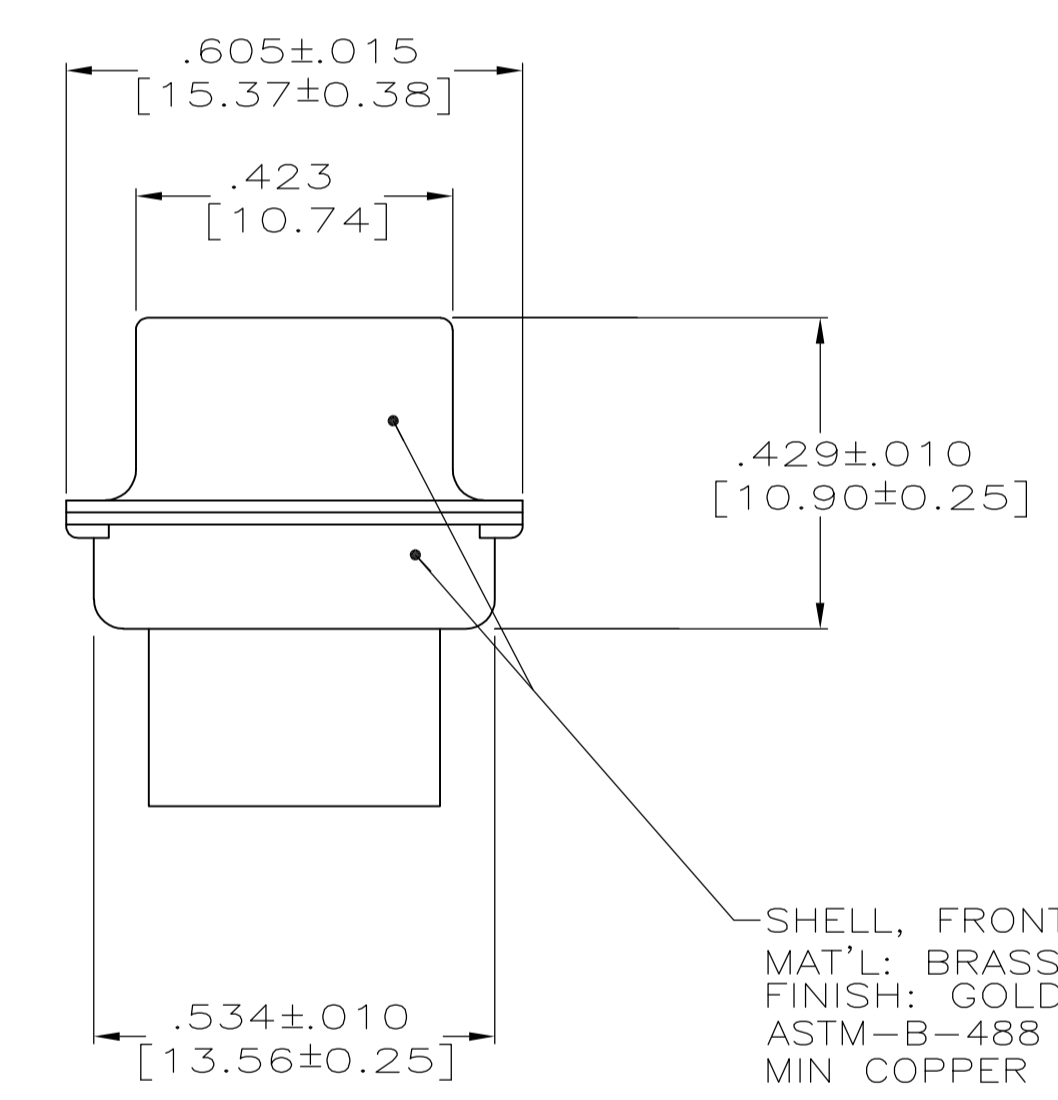
- CONNECTOR SUPPLIED WITHOUT CONTACTS; SHOWN FOR ILLUSTRATION ONLY.
- BE-CU RETENTION CLIPS ARE INCLUDED IN INSERT AND INSTALLED WITH TINES POINTING TOWARDS MATING FACE.
- OVERALL DIMENSIONS DO NOT INCLUDE RAISED CAVITY IDENTIFICATION.
- MARKING FAR SIDE REFERS TO WIDE SIDE OF KEYSTONE. NEAR SIDE REFERS TO NARROW SIDE OF KEYSTONE
- CONTACTS SUPPLIED WITH 211671-7 ONLY.
- 100% INSPECTION REQUIRED PER BOEING 1B01:
 - A. VISUAL
 - B. DWV
 - C. IR
- CUSTOMER REQUIRES SINGLE LOT DATE CODE.
- SPECIAL REQUIREMENTS:
 - A. TEST TWO CONNECTORS PER LOT FOR COMPLIANCE TO GROMMET PEEL STRENGTH REQUIREMENTS.
 - B. TEST ALL CIRCUIT CAVITIES FOR MISALIGNMENT OR EXCESSIVE ADHESIVE.



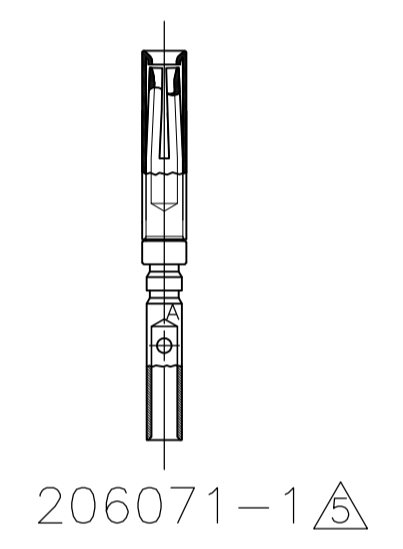
FOR (-1 & -11) CUSTOMER P/N MARKED ON FAR SIDE. MANUFACTURER'S NAME, BRAND OR LOGO AND MANUFACTURER'S PART NO AND DATE CODE MARKED ON NEAR SIDE. FOR (-2, -4 & -7) MARK MFG'S P/N FAR SIDE.

INSERT ASSEMBLY
 MATL: DIALLYL PHTHALATE, TYPE SDG-F PER MIL-M-14, COLOR: BLUE OR POLYPHENYLENE SULFIDE (PPS) PER MIL-M-24519, TYPE GST-40F COLOR: BLACK

GROMMET
 MATL: SILICONE RUBBER



SHELL, FRONT & REAR
 MAT'L: BRASS PER ASTM B-19
 FINISH: GOLD PLATED PER ASTM-B-488 OVER 0.000100
 MIN COPPER PER AMS 2418



	.120 [3.05]	1B01-029RHW	211671-1	1-211671-1
	.120 [3.05]	B010648-0010	211671-7	211671-7
NOT RELEASED	-	-	211671-6	211671-6
NOT RELEASED	-	-	211671-5	211671-5
	.120 [3.05]	-	211671-4	211671-4
NOT RELEASED	-	-	211671-3	211671-3
	.120 [3.05]	2A065-023V-001	211671-2	211671-2
	.120 [3.05]	1B01-029	211671-1	211671-1
	DIA A	CUSTOMER P/N ON CONNECTOR	MFG'S P/N ON CONNECTOR	MFG'S P/N

THIS DRAWING IS A CONTROLLED DOCUMENT. DWN: J.A. BAKER

TOLERANCES UNLESS OTHERWISE SPECIFIED:

0 PLC	±	-
1 PLC	±	-
2 PLC	±	-
3 PLC	±	.005 (0.13)
4 PLC	±	.010
ANGLES	±	0°30'
FINISH	SEE	CALLOUTS

MATERIAL: SEE CALLOUTS

THIS DRAWING IS A CONTROLLED DOCUMENT. DWN: J.A. BAKER

Tyco Electronics Corporation
 Harrisburg, PA 17105-3608

NAME: RCP.T. ASS'Y, AMPLIMITE, 78 POSN, SIZE 5, SERIES 90, NON MAGNETIC WITH GROMMET

SIZE: A1 CAGE CODE: 00779 DRAWING NO: 211671 RESTRICTED TO: -

CUSTOMER DRAWING SCALE: 4:1 SHEET: 1 OF 1 REV: H