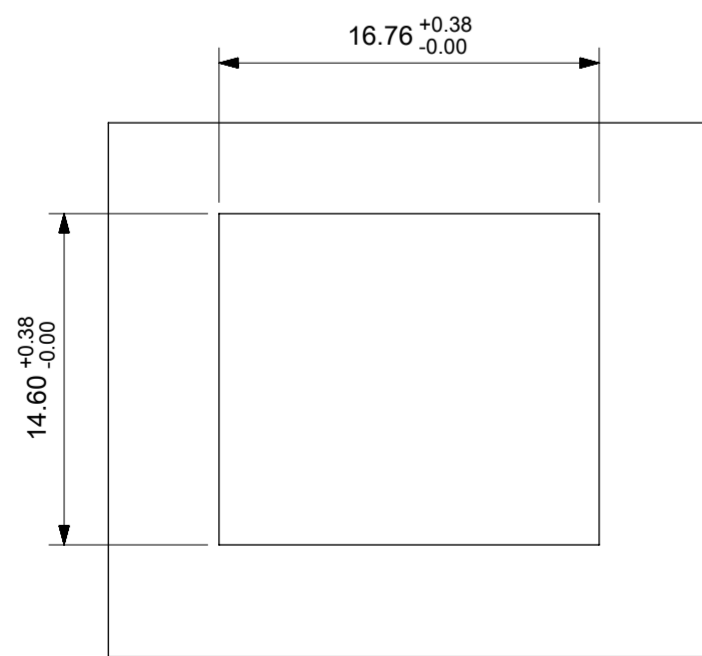
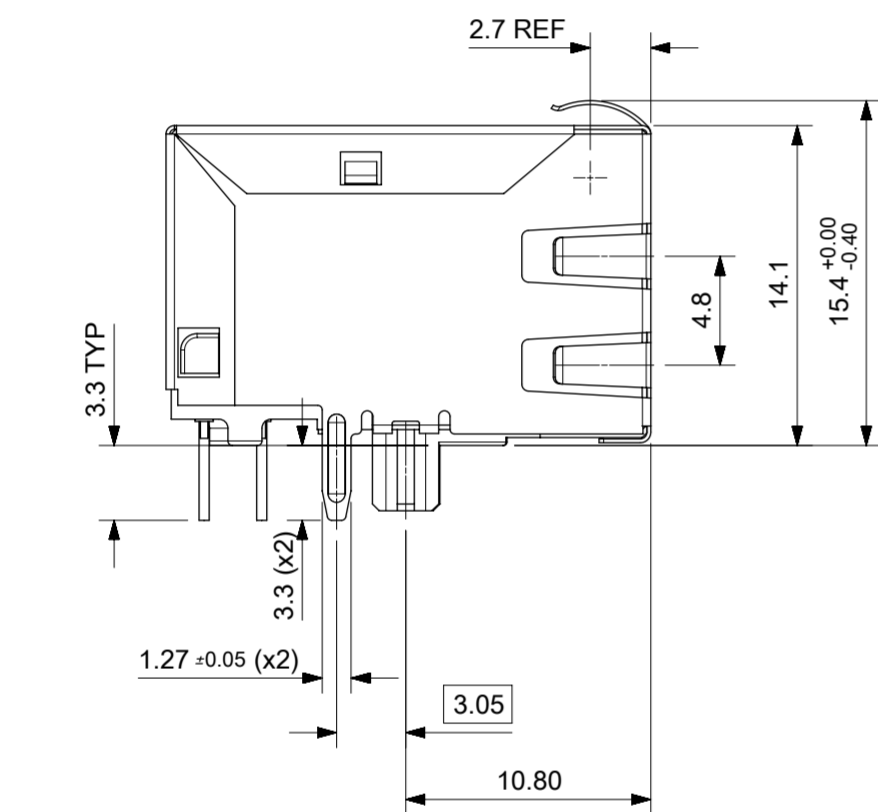
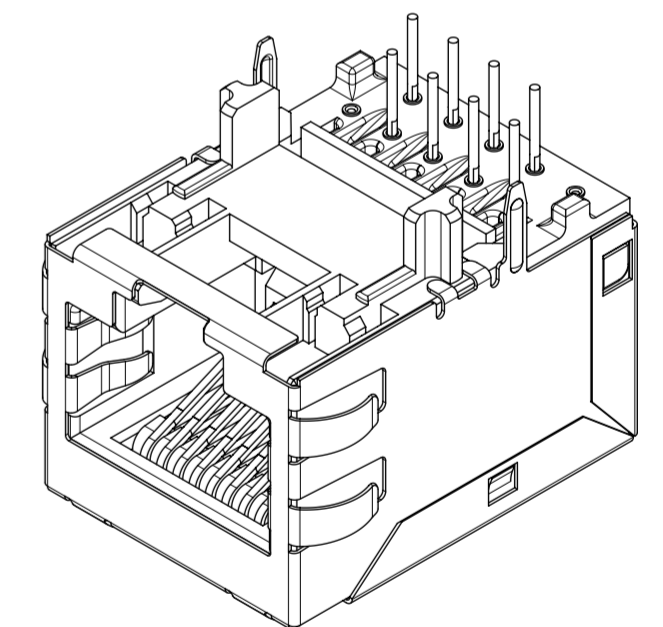
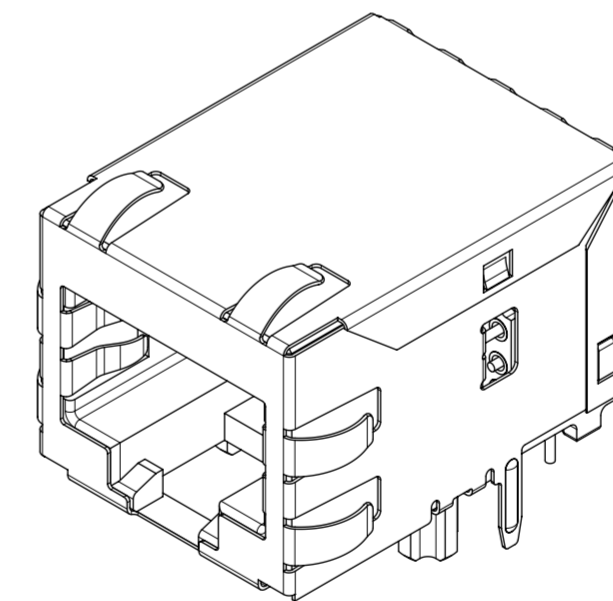
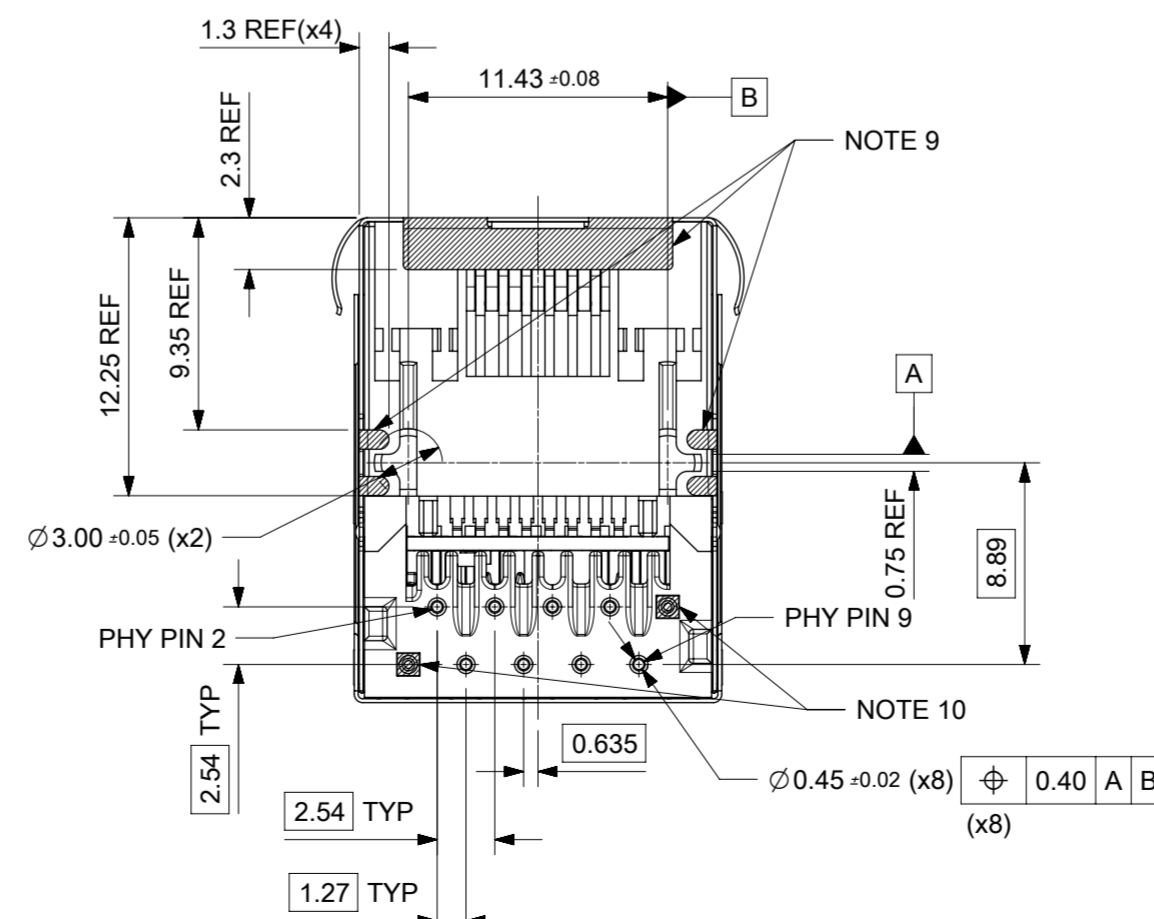
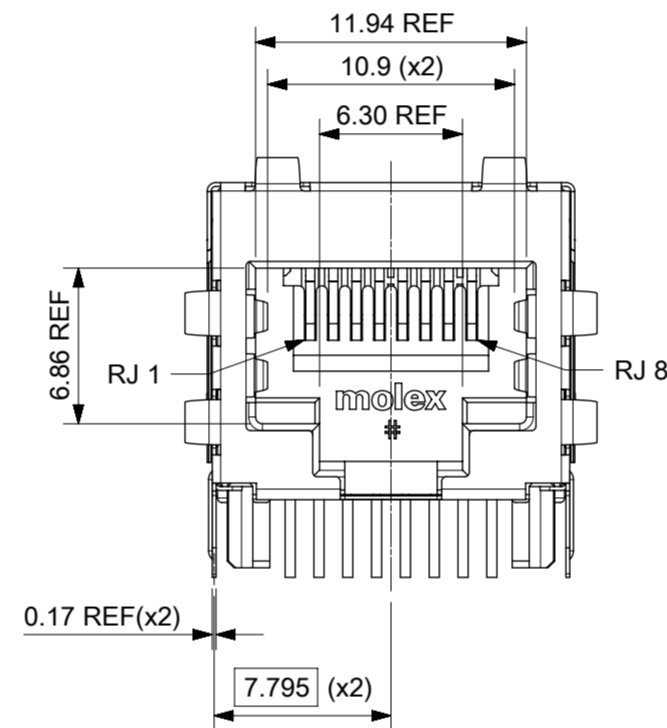
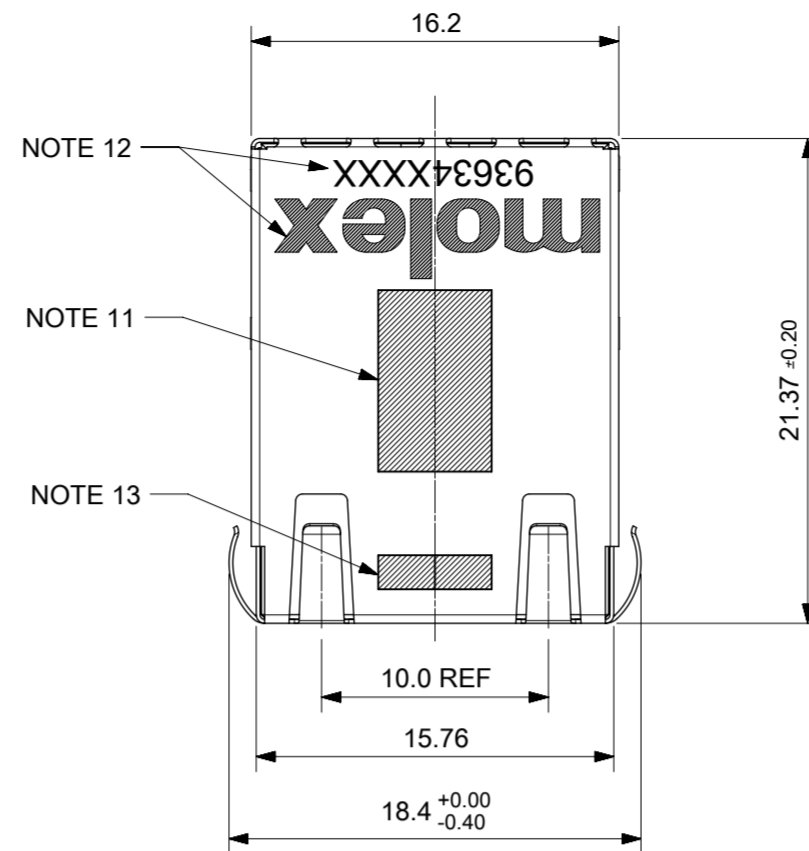


STANDARD PROFILE MAGNETIC JACK
FAST ETHERNET W/O LEDs
AND W/ SHIELD TABS TOP AND SIDE



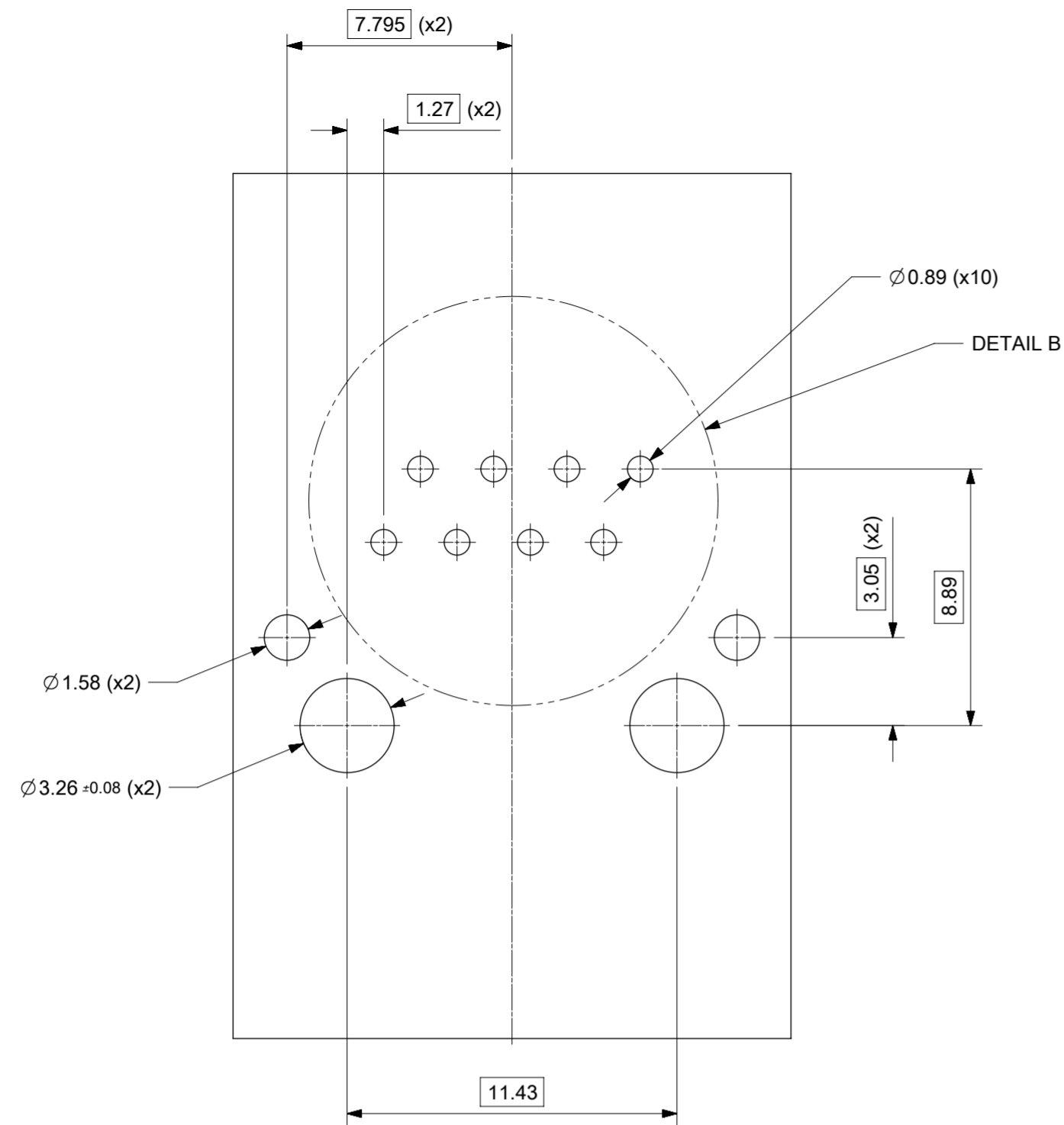
SUGGESTED PANEL CUT-OUT



- NOTES:
- SHIELD MATERIAL: 0.17mm THICK BRASS PRE-PLATED WITH NICKEL.
SOLDER TABS POST DIPPED WITH MIN. 1.27µm TIN
 - HOUSING MATERIAL: LCP, BLACK, UL 94V-0
 - TERMINAL MATERIAL: PHOSPHOR BRONZE
RJ45 CONTACT PLATING: BASE NICKEL, GOLD
FLASH OVER PALLADIUM NICKEL REFER TO 934620001 PSP
PHY SOLDER TAILS: COPPER ALLOY
 - MATING INTERFACE ACCORDING TO IEC 60603-7 & TIA-1096-A
 - PRODUCT SPECIFICATION: 934620001 PSP
 - PACKAGING SPECIFICATION: 934620001 PSK TRAY
 - STAND OFF TO SYSTEM BOARD 0.30mm MINIMUM
 - RECOMMENDED PCB THICKNESS: 1.57mm
 - SHIELD: AVOID ROUTING TRACES
OR PLACING ANY VIAS BELOW THESE AREAS
 - PIN NOT ASSEMBLED
 - AREA FOR PICK AND PLACE: 5.0mm X 8.0mm
 - INSCRIPTION MARKED BY LASER:
1st : MOLEX
2nd : P/N (SEE BOM)
 - DATE CODE (DAY/WEEK/YEAR)
 - MATERIAL COMPLIANT TO RoHS DIRECTIVE 2002/95/EC

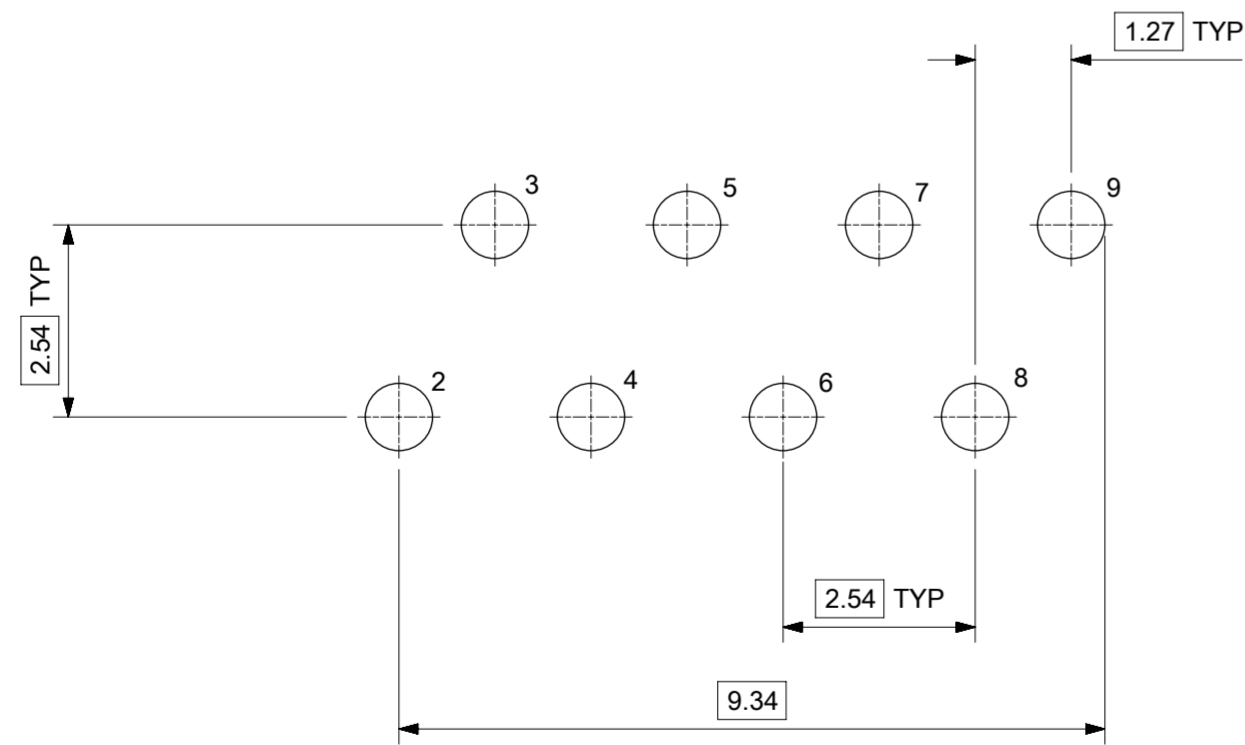
THIS DRAWING CONTAINS INFORMATION THAT IS PROPRIETARY TO MOLEX ELECTRONIC TECHNOLOGIES, LLC AND SHOULD NOT BE USED WITHOUT WRITTEN PERMISSION

EC NO: 114553 DRWN: DSHEA CHKD: DBYRNES APPR: STGRIFFIN	2017/03/15	2017/04/14	2017/04/25	GENERAL TOLERANCES (UNLESS SPECIFIED) ANGULAR TOL ± 2.0 ° 4 PLACES ± 3 PLACES ± 2 PLACES ± 0.1 1 PLACE ± 0.2 0 PLACES ± DRAFT WHERE APPLICABLE MUST REMAIN WITHIN DIMENSIONS	DIMENSION UNITS	SCALE		
	MM				3:1	DRWN BY		DATE
	KREILLY				2015/10/19	CHK'D BY		DATE
	DBYRNES				2016/09/19	APPR BY		DATE
	STGRIFFIN				2016/10/07	PRODUCT CUSTOMER DRAWING		
SERIES		MATERIAL NUMBER		CUSTOMER		GENERAL MARKET		
93634		SEE CHART		GENERAL MARKET				
DOCUMENT NUMBER		DOC TYPE		DOC PART		SHEET NUMBER		
936340002		PSD		000		1 OF 3		



PART NUMBER 93634-8020

SUGGESTED BOARD LAYOUT
FAST ETHERNET VERSION
COMPONENT SIDE
ALL DIMS REFERENCE DIMS



PIN CONFIGURATION
FOR FAST ETHERNET VERSION

DETAIL B
SCALE 10:1

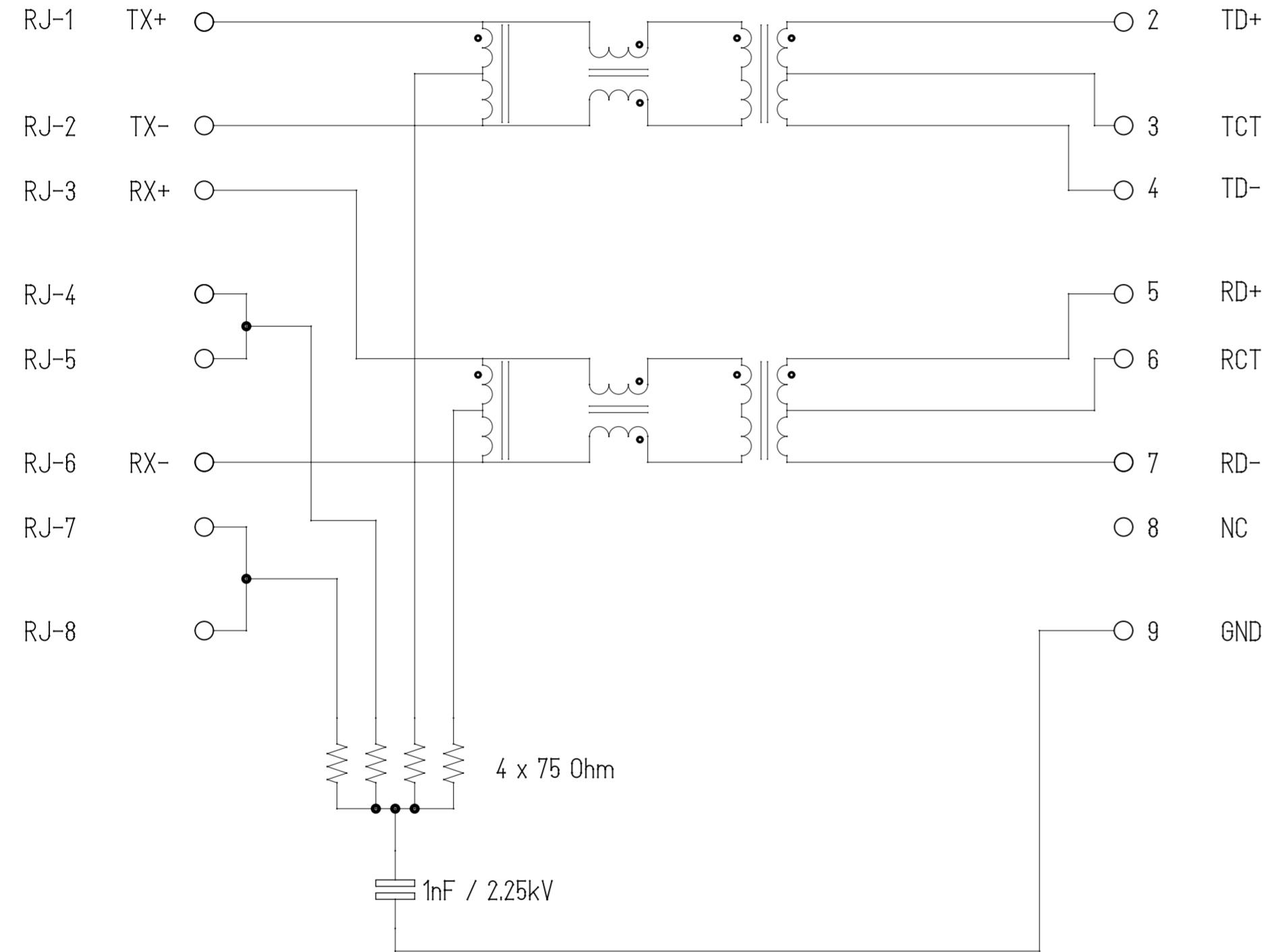
THIS DRAWING CONTAINS INFORMATION THAT IS PROPRIETARY TO MOLEX ELECTRONIC TECHNOLOGIES, LLC AND SHOULD NOT BE USED WITHOUT WRITTEN PERMISSION													
REVISED	EC NO: 114653	2017/03/15	GENERAL TOLERANCES (UNLESS SPECIFIED)	DIMENSION UNITS	SCALE	molex [®]							
	DRWN: DSHEA	2017/04/14	4 PLACES ±	MM	5:1								
	CHKD: DBYRNES	2017/04/25	3 PLACES ±	ANGULAR TOL ± 2.0 °	DRWN BY	DATE	STD MXMAG 6 CORE FE W/ SHIELD TABS						
	REV / APPR: STGRIFFIN		2 PLACES ± 0.1	0 PLACES ±	CHK'D BY	DATE	PRODUCT CUSTOMER DRAWING						
			1 PLACE ± 0.2		APPR BY	DATE	SERIES MATERIAL NUMBER CUSTOMER						
			0 PLACES ±		STGRIFFIN	2016/10/07	93634		SEE CHART		GENERAL MARKET		
DRAFT WHERE APPLICABLE MUST REMAIN WITHIN DIMENSIONS				DRAWING SIZE	THIRD ANGLE PROJECTION	DOCUMENT NUMBER		DOC TYPE	DOC PART	SHEET NUMBER			
				A2		936340002		PSD	000	2 OF 3			

WIRE-SIDE / RJ-45

ETHERNET MAGNETICS

PHY-SIDE / PCB SIDE

RJ-45 CONTACTS



Shield

ETHERNET TERMINALS

Description	Value	
OCL @100kHz, 0.1V, 8mA DC bias (-40°C to +85°C)	350µH min.	
Turns ratio	1CT:1CT	
Transmission characteristics @ 25°C, all four pairs		
Insertion Loss		
Frequency (MHz)	Limits (dB max.)	Typical Values (dB max.)
1.0-9.9 MHz	0.4+0.1*log(F)	0.5 @ 10MHz
10-49.9 MHz	0.5+0.3*log(F/10)	0.7 @ 50MHz
50-79.9 MHz	1+1.4*log(F/80)	1.0 @ 80MHz
80-100 MHz	1.3+3*log(F/100)	1.3 @ 100MHz
Return Loss		
Frequency (MHz)	Limits (dB min.)	Typical Values (dB min.)
1.0-39.9 MHz	18	18 @ 40MHz
40-100 MHz	12-20*log(F/80)	10 @ 100MHz
CMR		
Frequency (MHz)	Limits (dB min.)	Typical Values (dB min.)
1.0-100MHz	30	30 @ 100MHz
Next		
Frequency (MHz)	Limits (dB min.)	Typical Values (dB min.)
1.0-39.9MHz	35	35 @ 40MHz
40-100MHz	33-20*log(F/50)	27 @ 100MHz
Isolation PHY to wire side	2.25kVDC/60sec	

THIS DRAWING CONTAINS INFORMATION THAT IS PROPRIETARY TO MOLEX ELECTRONIC TECHNOLOGIES, LLC AND SHOULD NOT BE USED WITHOUT WRITTEN PERMISSION

REVISED EC NO: 114653 DRWN: DSHEA CHKD: DBYRNES REV APPR: STGRIFFIN	2017/03/15	GENERAL TOLERANCES (UNLESS SPECIFIED)	DIMENSION UNITS	SCALE				
	2017/04/14	ANGULAR TOL ± 2.0 °	MM	1:1				
	2017/04/25	4 PLACES ±	DRWN BY	DATE		STD MXMAG 6 CORE FE W/ SHIELD TABS		
		3 PLACES ±	KREILLY	2015/10/19				
		2 PLACES ± 0.1	CHK'D BY	DATE				
	1 PLACE ± 0.2	DBYRNES	2016/09/19					
	0 PLACES ±	APPR BY	DATE	PRODUCT CUSTOMER DRAWING				
		STGRIFFIN	2016/10/07	SERIES	MATERIAL NUMBER	CUSTOMER		
		DRAFT WHERE APPLICABLE MUST REMAIN WITHIN DIMENSIONS		A2	93634	SEE CHART	GENERAL MARKET	
					DOCUMENT NUMBER	DOC TYPE	DOC PART	SHEET NUMBER
					936340002	PSD	000	3 OF 3