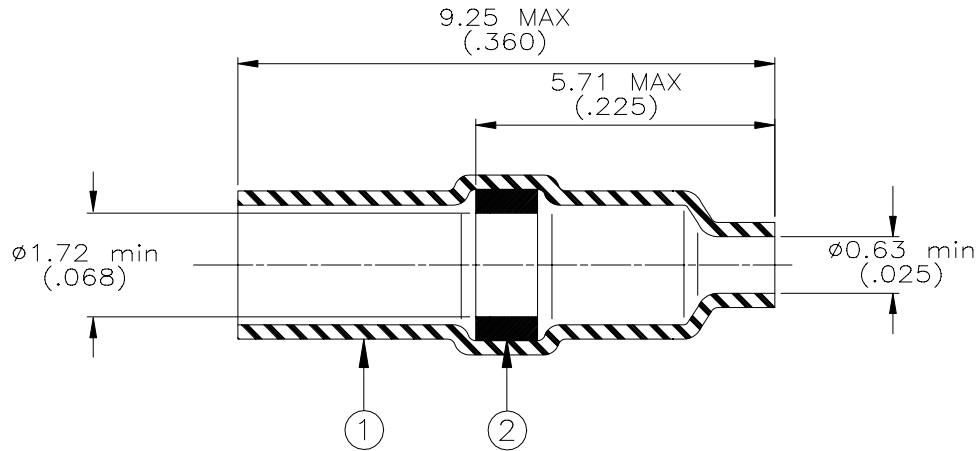


SPECIFICATION CONTROL DRAWING



MATERIALS

1. INSULATION SLEEVE: Heat-shrinkable, transparent blue, radiation cross-linked polyvinylidene fluoride.
2. SOLDER PREFORM WITH FLUX:
 - SOLDER: TYPE Sn63 per ANSI-J-STD-006.
 - FLUX: TYPE ROL1 per ANSI-J-STD-004.

APPLICATION

1. This sleeve is designed to terminate 26 thru 20 gauge tin or silver plated conductors to 12.7 (.500) long 0.63 (.025) square wire wrap posts. Wire insulation must be rated for at least +125°C.
2. This sleeve is designed for application with infrared heaters.
3. Temperature range: -55°C to +150°C.

* A trademark of Raychem Corporation.

Raychem		THERMOFIT DEVICES	Raychem Corporation 300 Constitution Drive Menlo Park, CA 94025 USA	TITLE: SOLDERSLEEVE* WIRE TERMINATOR			
UNLESS OTHERWISE SPECIFIED DIMENSIONS ARE IN MILLIMETERS. INCHES DIMENSIONS ARE BETWEEN BRACKETS.				DOCUMENT NO: D-141-0103			
TOLERANCES: 0.00 N/A 0.0 N/A 0 N/A	ANGLES: N/A ROUGHNESS IN MICRON	Raychem reserves the right to amend this drawing at any time. Users should evaluate the suitability of the product for their application.		DCR NUMBER: D980919		REPLACES: D1410103	
DRAWN BY: M. FORONDA	DATE: 07/24/98	PROD. REV. B	DOC ISSUE: 1	SCALE: None	SIZE: A	SHEET: 1 of 1	

If this document is printed it becomes uncontrolled. Check for the latest revision.