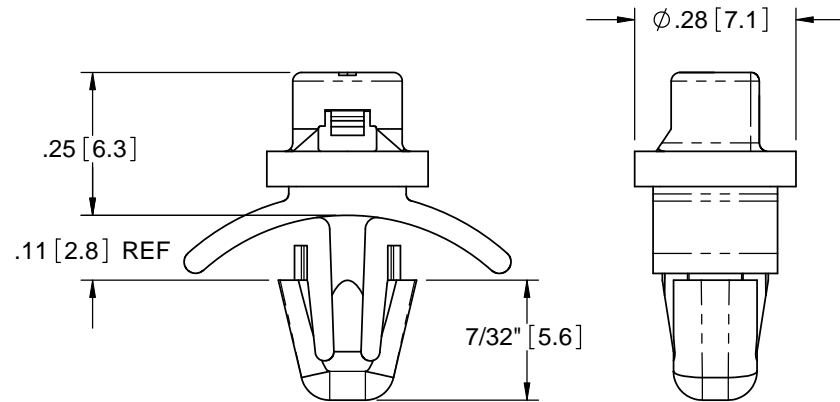
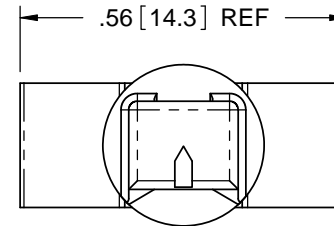
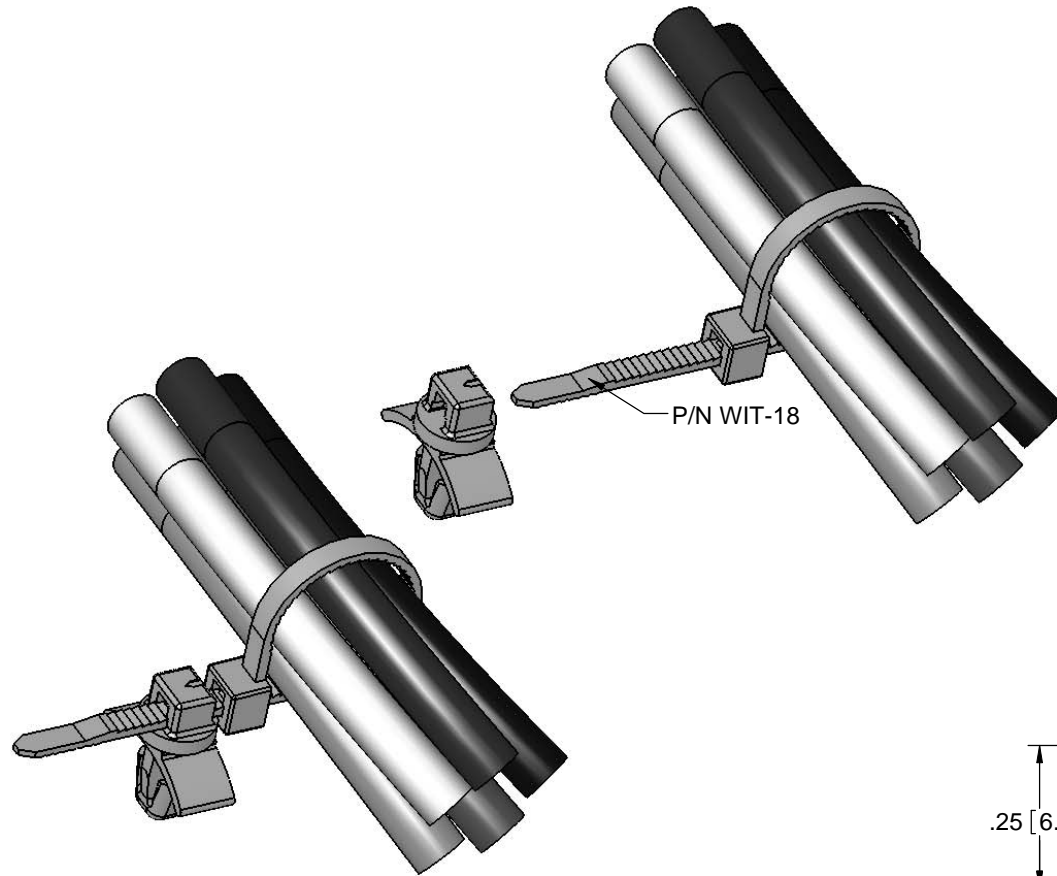


PART NUMBER	MATERIAL
FTH-30-01	NYLON 6/6 UL 94 V-2 (RMS-01)
FTH-30-19	NYLON 6/6 UL 94 V-0 (RMS-19)



- NOTES:
1. TO SNAP LOCK IN A .187+/-0.003 (4.76+/-0.08) DIAMETER HOLE IN A .031-.078 [0.79-1.98] THICK PANEL
 2. TO BE USED WITH RICHCO WIT-18 CABLE TIES, SOLD SEPERATELY
 3. PART IS DESIGNED IN INCHES.
(MILLIMETER) CONVERSION IS FOR REFERENCE ONLY

REV.			TITLE: HOOK MOUNT TIE HOLDER ON ARROWHEAD				DWG IN IN [MM]		FINAL	
F	SEE CO 200295 FOR CHANGES	SK	12.16.08	CREATED USING SOLIDWORKS	FILE #: FTH-30	DWN: D.J.Z.	APP: D.J.Z.			
E	SEE CO 200155 FOR CHANGES	SK	04/07/08	TOLERANCES UNLESS NOTED	SHEET: 1 OF 1	SHEET SIZE: A	DT: 02/16/2006	CHKD: -	PART #	
D	SEE CO 200148 FOR CHANGES	SK	04/01/08	.XX=±.010	RE: RICHCO INC.		RICHCO, INC.		FTH-30	
C	SEE CO 200046 FOR CHANGES	SK	10/02/07	.XXX=±.005	--		ENG@RICHCO-INC.COM			CA
B	SEE ECN #1280 FOR CHANGES	SK	02/01/07	FRAC.=±1/64			(773) 539-4060			
A	RELEASED FOR PRODUCTION	S.J.	02/16/06	ANG.=±1°						
REV.	DESCRIPTION	ENGR.	DATE							