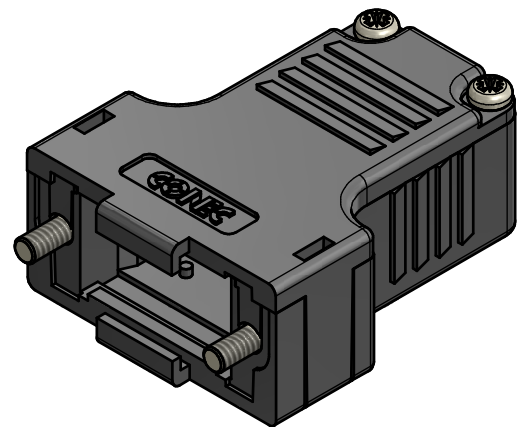






NOTES: (c)


1. HOOD + COVER: PBT UL 94 V-0; BLACK
2. CABLE STRAIN RELIEF: STEEL; NICKEL PLATED
3. PRESS INSERT: ABS UL 94 V-0; BLACK
4. SHORT SCREWS: STEEL; NICKEL PLATED
5. LENS HEAD SCREWS: STEEL; NICKEL PLATED

TECHNICAL DATA: (b)

- TEMPERATURE RANGE: -40°C to + 125°C



 CABLE STRAIN RELIEF (1x)	 LENS HEAD SCREW (4x)
 SHORT SCREW (2x)	 PRESS INSERT (1x)

THIS DRAWING MAY NOT BE COPIED OR REPRODUCED IN ANY WAY, AND MAY NOT BE PASSED ON TO A THIRD PARTY WITHOUT WRITTEN PERMISSION. OWNERSHIP AND COPYRIGHT OF CONEC GmbH DO NOT ALTER CAD DRAWING BY HAND	tolerance		 dim. in mm		scale: 2:1	
					material: SEE NOTES	
					title: PLASTIC HOOD 9pos. with straight cable exit	
					dwg no: 16K1A707	DIN-A3 sh: 1
					part no: 165X13369X / 600X10009XS	
5 x c	Ä5607	14.04.15	M.H.	d-old		
3 x b	Ä5307	25.08.14	E.Mick.			
a	Original					
rev.	description	date	name	CONEC		

RoHS compliant (b)

(b) (c)