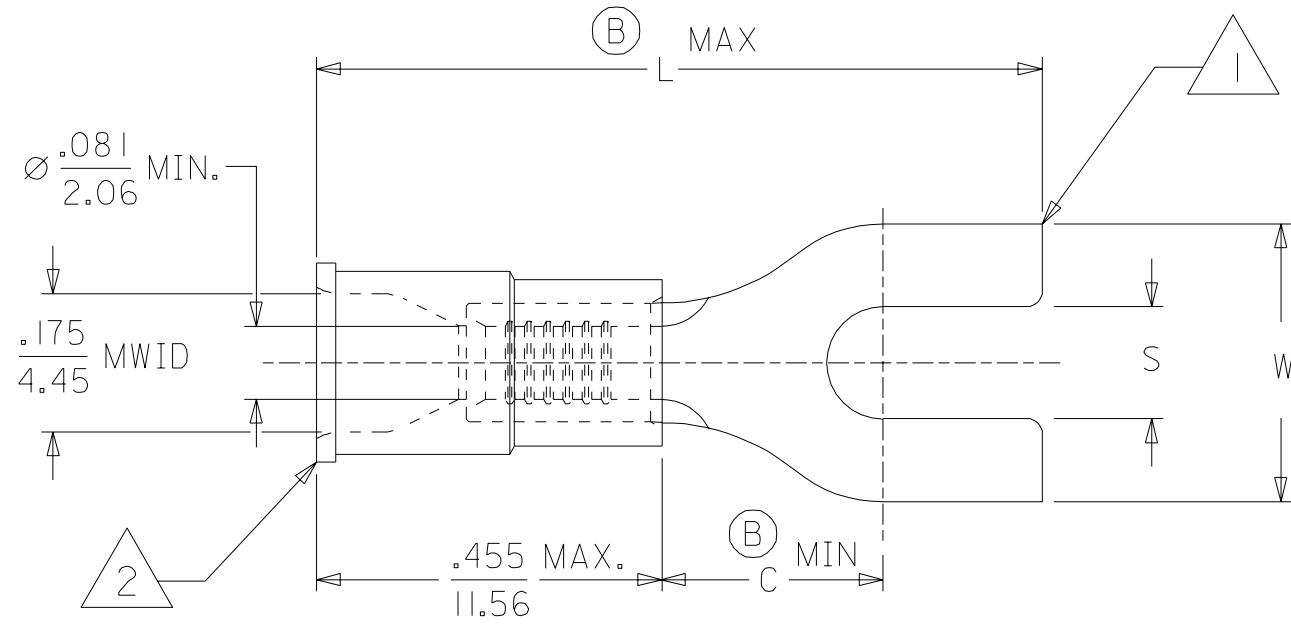
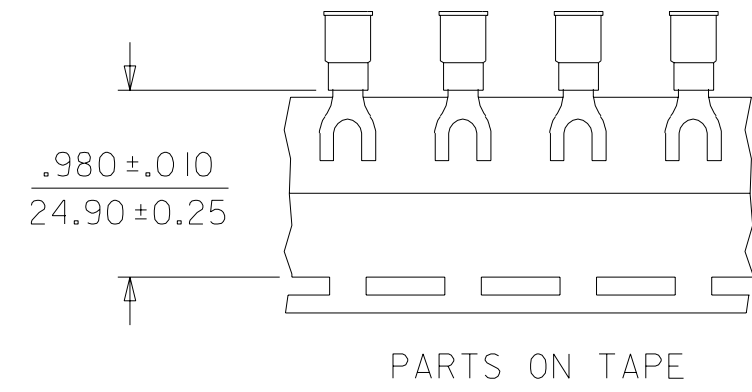


	10	9	8	7	6	5	4	3	2	1
	MATERIAL NUMBER	ENGINEERING NUMBER	STUD SIZE	"S" ±.005/(0.13)	"W" ±.010/(0.25)	"C" MIN (B)	"L" MAX (B)	PACKAGING		
F	191420019	B-207-04X	4	.119/(3.02)	.245/(6.22)	.209/(5.31)	.834/(21.18)	LOOSE PIECE		
	191420020	B-207-06X	6	.146/(3.71)	.245/(6.22)	.209/(5.31)	.834/(21.18)			
	191420022	B-224-04X	4	.119/(3.02)	.295/(7.49)	.211/(5.36)	.831/(21.11)			
	191420024	B-224-06X	6	.146/(3.71)	.295/(7.49)	.211/(5.36)	.831/(21.11)			
	191420027	B-224-08X	8	.173/(4.39)	.295/(7.49)	.211/(5.36)	.831/(21.11)			
	191420029	B-227-06X	6	.146/(3.71)	.362/(9.19)	.269/(6.83)	.966/(24.54)			
	191420030	B-227-08X	8	.173/(4.39)	.388/(9.85)	.269/(6.83)	.966/(24.54)			
	191420032	B-227-10X	10	.198/(5.03)	.388/(9.85)	.269/(6.83)	.966/(24.54)			
E	191420069	B-207-04XT	4	.119/(3.02)	.245/(6.22)	.209/(5.31)	.834/(21.18)	TAPE MOUNTED		
	191420021	B-207-06XT	6	.146/(3.71)	.245/(6.22)	.209/(5.31)	.834/(21.18)			
	191420071	B-224-04XT	4	.119/(3.02)	.295/(7.49)	.211/(5.36)	.831/(21.11)			
	191420025	B-224-06XT	6	.146/(3.71)	.295/(7.49)	.211/(5.36)	.831/(21.11)			
	191420072	B-224-08XT	8	.173/(4.39)	.295/(7.49)	.211/(5.36)	.831/(21.11)			
	191420073	B-227-06XT	6	.146/(3.71)	.362/(9.19)	.269/(6.83)	.966/(24.54)			
	191420031	B-227-08XT	8	.173/(4.39)	.388/(9.85)	.269/(6.83)	.966/(24.54)			
	191420033	B-227-10XT	10	.198/(5.03)	.388/(9.85)	.269/(6.83)	.966/(24.54)			



SALES DRAWING

- NOTES:
- MATERIAL: COPPER .031/(.79) THICK.
 - PLATING: ELECTRO-TIN.
 - INSULATION: MOLDED PVC (BLUE)
 - MWID=MAXIMUM WIRE INSULATION DIAMETER.

REVISED "L"	EC NO. ETC2004-0133	QUALITY SYMBOLS
B	DRWN: BRE 04/01/14	MAJOR = 0
	CHK: HEB 04/01/14	CRITICAL = 0
	APPR: RWD 04/01/14	

GENERAL TOLERANCES: (UNLESS SPECIFIED)	
4 PLACES	±0. mm INCH
3 PLACES	±0. mm INCH
2 PLACES	±0. mm INCH
1 PLACE	±0. mm INCH
ANGULAR: ±1/2°	
DRAFT WHERE APPLICABLE MUST REMAIN WITHIN DIMENSIONS	

SCALE 4:1	DESIGN UNITS <input type="checkbox"/> mm <input checked="" type="checkbox"/> INCH
DRAWN BY & DATE HEB 99/11/12	
CHECKED BY & DATE RWD 99/11/12	
APPROVED BY & DATE RWD 99/11/12	
CAD FILENAME SD-19142-001.DGN	

DIMENSIONS: <input type="checkbox"/> mm <input checked="" type="checkbox"/> INCH <input type="checkbox"/> mm ONLY		SHT	REV
THIRD ANGLE PROJECTION		REVISE ON CAD ONLY	
TITLE: SPADE TONGUE TERMINAL 16-14 AWG INSULKRIMP, 200 SERIES			
MOLEX INCORPORATED			
MATERIAL NO. SEE CHART	DRAWING NO. SD-19142-001	SHEET NO.	
THIS DRAWING CONTAINS INFORMATION THAT IS PROPRIETARY TO MOLEX INCORPORATED AND SHOULD NOT BE USED WITHOUT WRITTEN PERMISSION.			SIZE B