

**ebm-papst St. Georgen GmbH & Co. KG**

Hermann-Papst-Str. 1

D-78112 St. Georgen

Phone +49 (0) 7724 81-0

Fax +49 (0) 7724 81-1309

info2@de.ebmpapst.com

www.ebmpapst.com

Nominal data

Type	424 JH	
Nominal voltage	VDC	24
Nominal voltage range	VDC	16 .. 26,4
Speed (rpm)	min ⁻¹	17250
Power consumption	W	6.9
Min. ambient temperature	°C	-20
Max. ambient temperature	°C	65
Air flow	m ³ /h	38
Sound power level	B	6.6
Sound pressure level	dB(A)	54

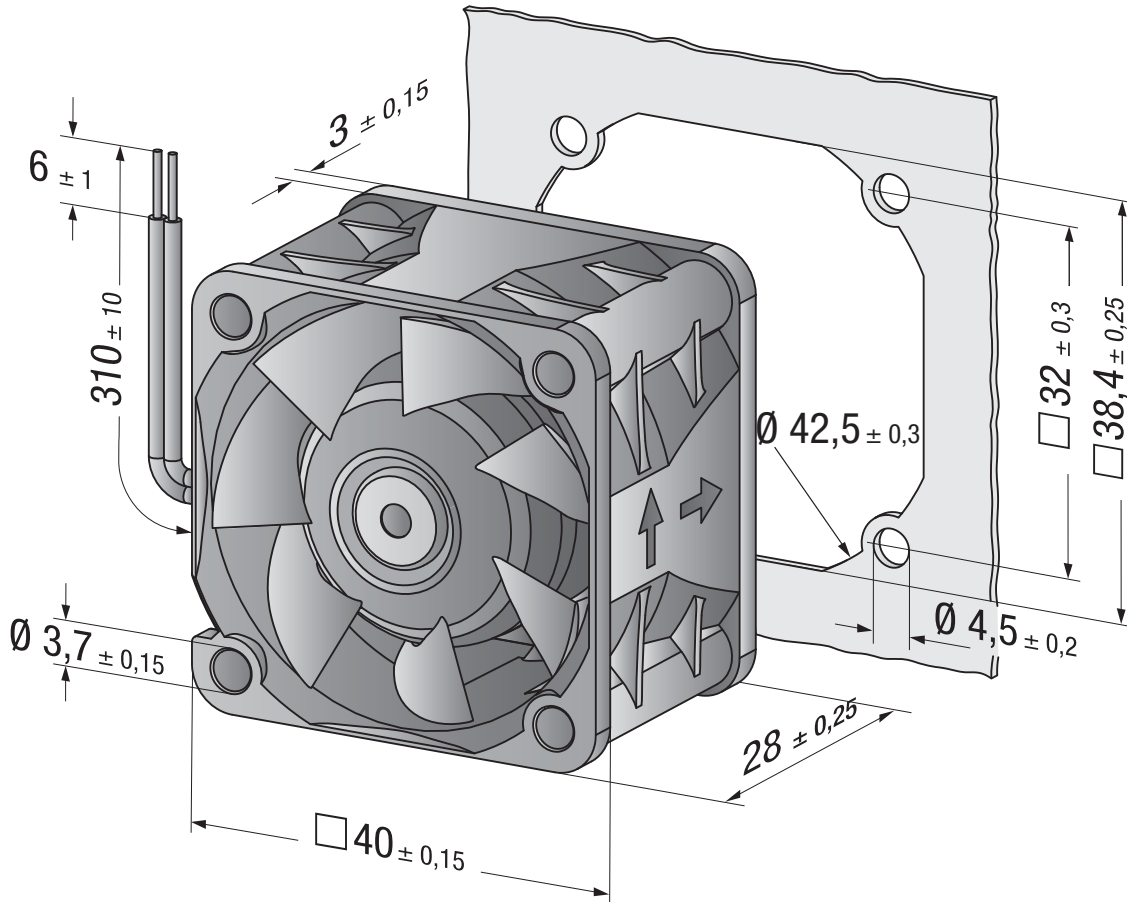
ml = Max. load · me = Max. efficiency · fa = Free air · cs = Customer specification · ce = Customer equipment
Subject to change



Technical description

Weight	0.045 kg
Dimensions	40 x 40 x 28 mm
Impeller material	Glass-fiber reinforced PA plastic
Housing material	Glass-fiber reinforced PBT plastic
Airflow direction	Exhaust over struts
Direction of rotation	Counterclockwise, viewed toward rotor
Storage	Ball bearing
Service life L10 at 20 °C	60.000 h
Service life L10 at 60 °C	32.500 h
Cable	With leads AWG 28, UL 1061
Approval	VDE, CSA, UL
Option	Possible custom designs: Speed signal Go / No-go alarm External temperature sensor PWM control input Moisture protection Salt spray protection

Product drawing



Curves

