



CURTIS

Instrumentation



Digital Instrumentation

enGage® II Model 3000R





Digital Instrumentation

The Curtis enGage® II is a dual function, microprocessor based instrument that can be factory or user defined to monitor various functions including fuel, temperature, pressure, voltage, battery state of charge and maintenance/status. Industrial and commercial vehicles including: material handling, outdoor power and construction equipment, engine driven stationary devices, commercial cleaning equipment, golf/lighton- road and other mobility aids. Also ideally suited for monitoring scheduled maintenance, warranty and leasing intervals. Manufactured under ISO 9001 certified Quality Management system. UL recognized & CE certified.

FEATURES

- ▶ Multiple functions in one programmable unit:
 - Lower overall stocking requirements.
 - Reduced installation time and labor.
 - Reduced vehicle instrumentation count.
 - Ease of ordering.
 - Volume pricing/purchasing advantages.
- ▶ Field programmable maintenance monitor allows dealers and/or users to program maintenance intervals for their specific application.
- ▶ Optional settable hour meter allows replacement of a failed hour meter without loss of total elapsed time.
- ▶ Flexible output modes include flashing LCD segments, panel mounted LED and FET (0.5A) which allows the equipment designer to define critical parameters and to choose appropriate notification methods, such as alarms or buzzers.
- ▶ True Curtis battery monitoring technology means proven algorithm protection capabilities providing reliable state of charge information.
- ▶ Sealed front panel buttons allow easy:
 - Setting of maintenance interval.
 - Setting of battery monitoring profile.
 - Re-setting of maintenance hours.
 - Setting of total hour meter (optional).

See a 360° view of the 3000R at:
curtisinstruments.com/360view





Digital Instrumentation

FEATURES continued

- ▶ Clock function allows vehicle operator easy and safe access to time of day status.
- ▶ Mounting bracket and integrated connector lowers installation and production costs and eliminates traditional mounting hardware kits.
- ▶ EEPROM non-volatile memory retains usage data without battery back-up.
- ▶ Aesthetically attractive contemporary look enhances vehicle styling and maximizes readability. Overlays can easily be customized to create a specific brand/logo identity.
- ▶ Reliable, all solid state design means no moving parts minimizing warranty costs.
- ▶ Over 40 years of Curtis instrumentation design and manufacturing experience insures products are both innovative and extremely reliable.
- ▶ Curtis global network of sales and technical support provides timely and complete applications support.

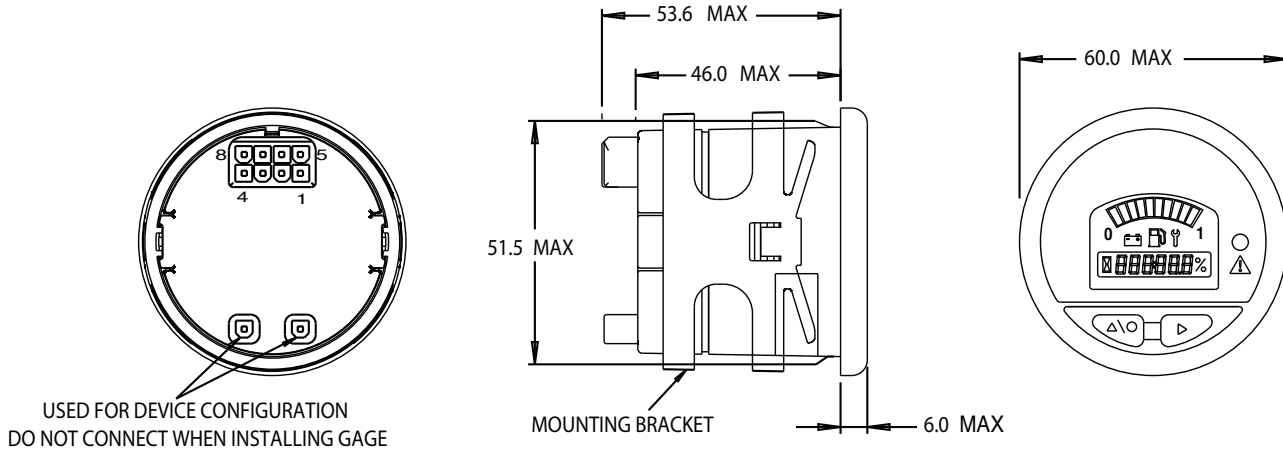


enGage® II Model 3000R

Digital Instrumentation



DIMENSIONS mm



MOLEX CONNECTOR

Pin	Description
1	Sense B
2	Keyswitch
3	FET Output
4	V-
5	Sense A
6	SETUP ENABLE
7	HOURMETER ENABLE
8	V+

AMP CONNECTOR

Pin	Description
1	Sense A
2	SETUP ENABLE
3	HOURMETER ENABLE
4	V+
5	Sense B
6	KEY SWITCH
7	FET Output
8	V-

NOTES:

- 1.0 MATING CONNECTOR: 8-PIN MOLEX P/N 39-01-2085 WITH UL RATING 94V-0, PINS P/N 39-00-0039 FOR #18-24 AWG
- 2.0 MATING CONNECTOR; 8-PIN AMP P/N 794821-1 WITH UL RATING 94V-0, INTERFACE SEAL P/N 794772-0, WIRE SEAL 794758-1, PINS P/N 770904-X FOR #18-24 AWG
- 3.0 MATERIAL: CASE-POLYCARBONATE, LENS-CLEAR POLYMETHYLMETHACRYLAT (PMMA), COVER, OVERLAY & MOUNTING BRACKET-POLYCARBONATE.
- 4.0 THIS UNIT IS DESIGNED FOR A MOUNTING PANEL THICKNESS OF 0.8mm - 6.4mm.
- 5.0 52mm METERS ARE PROVIDED IN A STANDARD ROUND PACKAGE FOR MOUNTING IN A 52mm DIA DASH PANEL HOLE.



enGage® II Model 3000R

Digital Instrumentation



SPECIFICATIONS

Operating Voltages

12VDC nominal (9 to 15VDC)
12 – 48VDC nominal
(9 to 60VDC)

Operating Temperature

– 40°C to + 85°C

Storage Temperature

–50°C to +90°C

Humidity

95% RH (non-condensing)
at +38°C

Shock

SAE J 1378 March 8
Amplitude 44-55 g, half sine,
9 – 13 ms duration

Vibration

SAE J 1378
Double amplitude of 1.53mm
with frequency sweep for
10-80-10 Hz (20 g max) at
1 minute intervals

Sealing	Face	Rear
Molex connector	IP65	IP40
AMP connector	IP65	IP65 (with connector installed)

Output signal format

(Power MOSFET):
N channel MOSFET
(switches ground side only)
Programmable; capable of
sinking up to 0.5A, maximum

Adjustable BDI Discharge

Profile Range:

Full: 1.80 – 2.30 V/cell (Factory set at 2.04 V/cell)
Empty: 1.50 – 2.20 V/cell (Factory set at 1.73 V/cell)
100 mV/cell is minimum differential between full & empty

BDI Open Circuit Reset Level

factory set at 2.09 V/cell

Maximum Current Ratings:

12VDC Only Models:
35 mA @ 15VDC
12 – 48VDC Models:
35 mA @ 60VDC

NOTE: BDI, Maintenance Monitor, Settable Hour Meter and Time of Day functions require programming buttons on front display. Buttons NOT available on units rated 12VDC only.

OPTIONS & ACCESSORIES

17631800-01 – Amp Based Installation Kit Includes a pre-assembled mating connector with over 5" of crimp-connect terminated wires and an installation booklet.

17631800-02 – Molex Based Installation Kit Includes a pre-assembled mating connector with over 5" of crimp-connect terminated wires and an installation booklet.

WARRANTY Two year limited warranty from time of delivery.

The Curtis Difference 
You feel it when you drive it



is a trademark of Curtis Instruments, Inc.

Specifications subject to change without notice

©2016 Curtis Instruments, Inc.

50115 Rev B 1/16