

THIS DRAWING IS UNPUBLISHED.
VERTRAULICHE UNVERÖFFENTLICHTE ZEICHNUNG

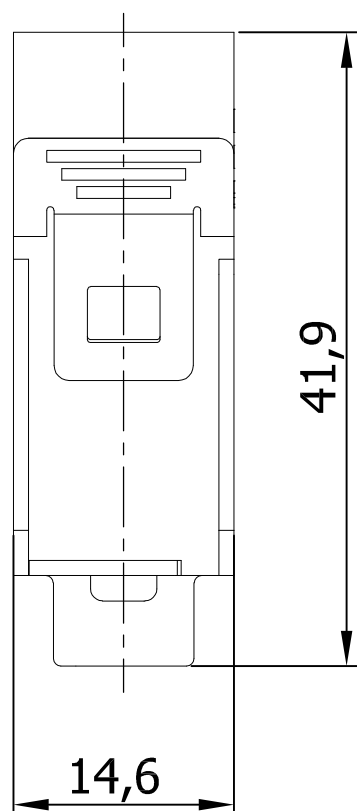
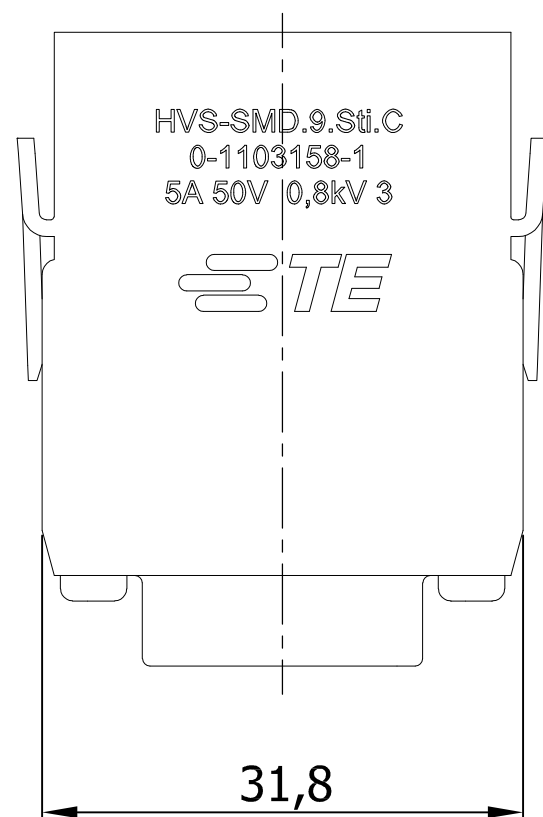
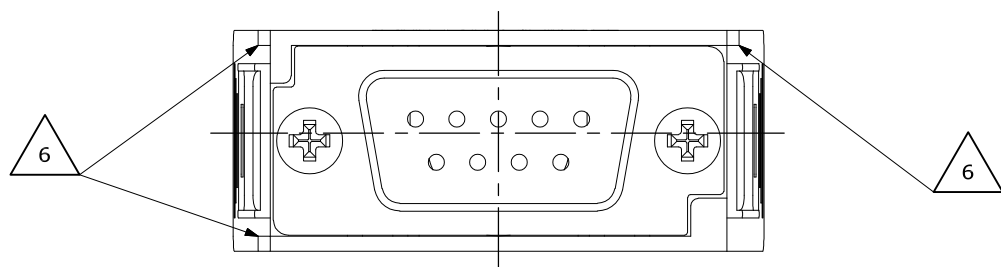
RELEASED FOR PUBLICATION
FREI FUER VERÖFFENTLICHUNG
ALL RIGHTS RESERVED.
ALLE RECHTE VORBEHALTEN

PROJEKT NR. **EGGMN 04410**

REVISIONS
ÄNDERUNGEN

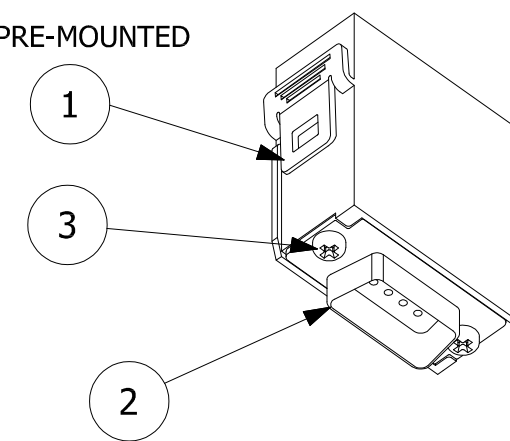
P	LTR	DESCRIPTION BESCHREIBUNG	DATE	DWN	APVD
-	-	NEW DRAWN	13-02-2006	SR	AG
B	-	ECR-15-007667	14JUL2015	GSK	JB

CONTACT ARRANGEMENT VIEW FROM CONECTING SIDE

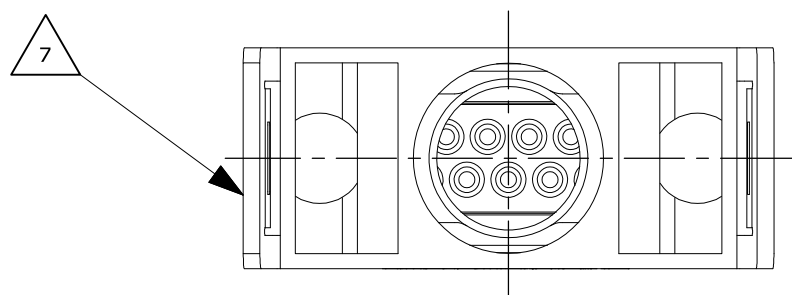


NOTES

- SUITABLE CRIMP CONTACTS: SERIES S20DF
CATALOG: 889745
OUTER DIMENSIONS OF INSULATION: MAX. Ø1,6 MM
- SUITABLE MODULE FIXING FRAME: SERIES HVS SIZE 3 TO 8
CUSTOMER DRAWING: 1103250
- SUITABLE INSERTION TOOL:
CUSTOMER DRAWING: 1102855
- SUITABLE EXTRACTION TOOL:
CUSTOMER DRAWING: 1102855
- STANDARDS:
DIN EN 61984; DIN EN 60664-1
- POLARIZATION RIPS
- MARKING OF POLARIZATION ACCORDING MARKING OF
MODULE FRAME
- PACKAGING:
10 SETS IN A CARTON, PRE-MOUNTED



CONTACT ARRANGEMENT VIEW FROM TERMINATION SIDE



QTY.	DESCRIPTION	MATERIAL	SURFACE	COLOR	NOTE	ITEM
2	SCREW 2,5X8	Steel	ZINC PLATED	BLUE	FOR PLASTICS	3
1	ASSY PLUG	---	---	---	---	2
1	MODULE INSERT	PBT-GF10	SURFACE	LIGHT GREY	---	1

PARTS LIST

THIS DRAWING IS A CONTROLLED DOCUMENT. DIESE ZEICHNUNG IST EIN KONTROLLIERTES DOKUMENT.		DWN SCHNEIDER 13.02.2006	TE Connectivity		
DIMENSIONS: MASSE/HEITEN: mm		CHK A.GAST 13.02.2006			
TOLERANCES UNLESS OTHERWISE SPECIFIED: ALLGEMEINTOLERANZEN n. ISO 8015 - n. ISO 2768 - mH-E n. DIN 16901- 140		APVD T.SCHNURPFEIL 13.02.2006	NAME MALE INSERT HVS-SMD.9.STI.C		
		PRODUCT SPEC PRODUKTSPEZ. 108-74076	DRAWING NO ZEICHNUNGS-NR. G-1103158		
MATERIAL		APPLICATION SPEC. VERARBEITUNGSSPEZ. 114-74075	SIZE A3	CAGE CODE 00779	RESTRICTED TO NUR FUER
FINISH/OBERFLAECHE/FARBE		WEIGHT GEWICHT 0.001 KG	SCALE MASSSTAB 2:1		
		CUSTOMER DRAWING/KUNDENZEICHNUNG		SHEET BLATT 1 OF 1	REV B