

8

7

6

5

4

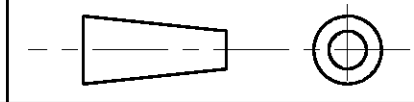
3

2

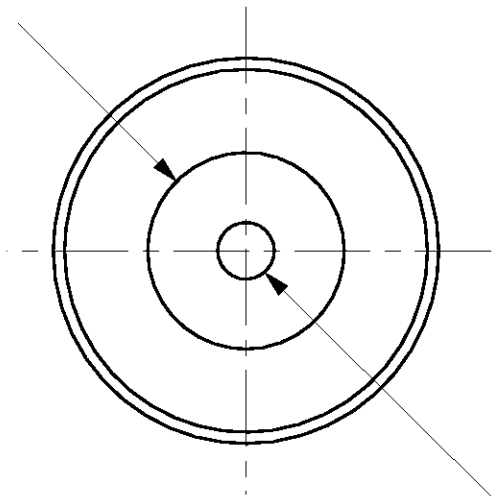
1

DO NOT SCALE

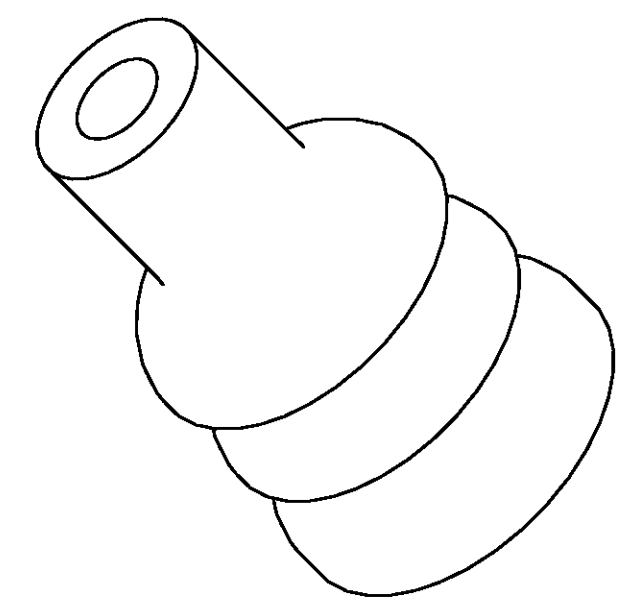
DIMENSIONS IN MM.



2.6 DIA



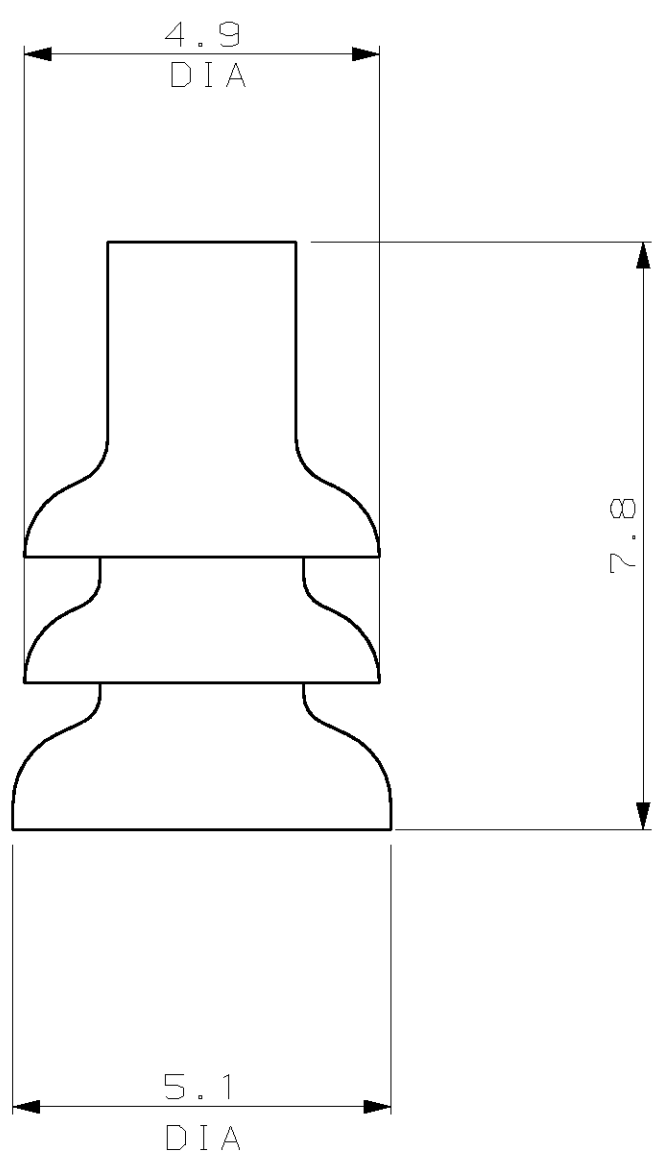
BORE (SEE NOTE 1)



C

B

A



NOTES:

1 THIS SEAL IS SUITABLE FOR 0.35 mm² THIN WALLED CABLE, WHOSE INSULATION O/DIA. IS 1.1 TO 1.4 mm.

ORANGE	SELF LUBRICATING SILICONE RUBBER	347681-1
FINISH	MATERIAL	PART NUMBER
CUSTOMER DWG FOR REFERENCE ONLY		© COPYRIGHT 1993 BY AMP OF GREAT BRITAIN LTD. ALL INTERNATIONAL RIGHTS RESERVED. ALL PRODUCTS MAY BE COVERED BY BRITISH AND FOREIGN PATENTS AND/OR PATENTS PENDING.
-	-	TOLERANCES UNLESS OTHERWISE STATED :
-	-	DEC ± 0.5
-	-	ANGLES ± 1°
-	-	DR. R.J.S. 11.2.93
-	-	CH. R.R. APP. J.P.
A SEE ECN EBA0-0016-03 24/06/03		NAME .070 SERIES CABLE SEAL ECONOSEAL 3 LOW CURRENT
2	REL. TO CUST. EB00-0126-94 8.3.94	
1	PRELIM. ISSUE	11.2.93
REV	MODIFICATION	ECN
10/1	E	A 3
SCALE		LOC
10/1		E
SIZE		DWG. No.
A 3		347681
REV	SHEET	
A	1 / 1	

8

7

6

5

4

3

2

1