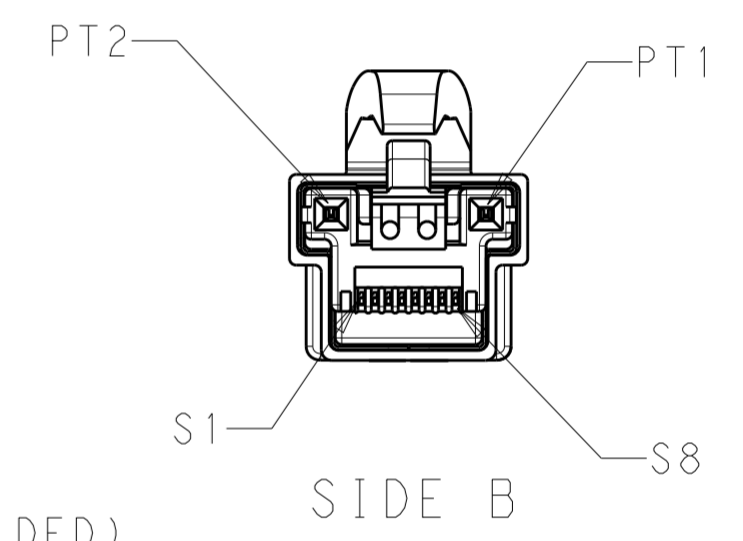
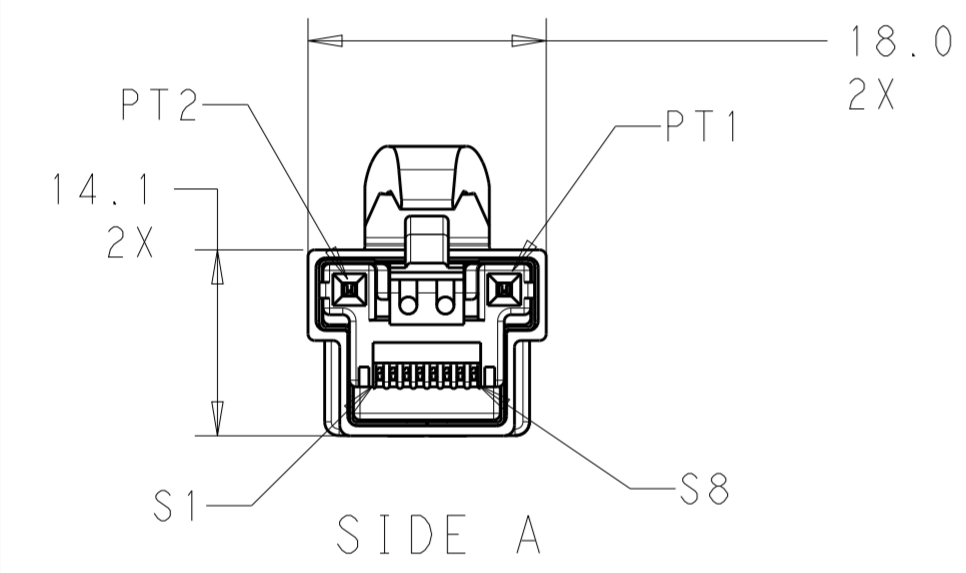
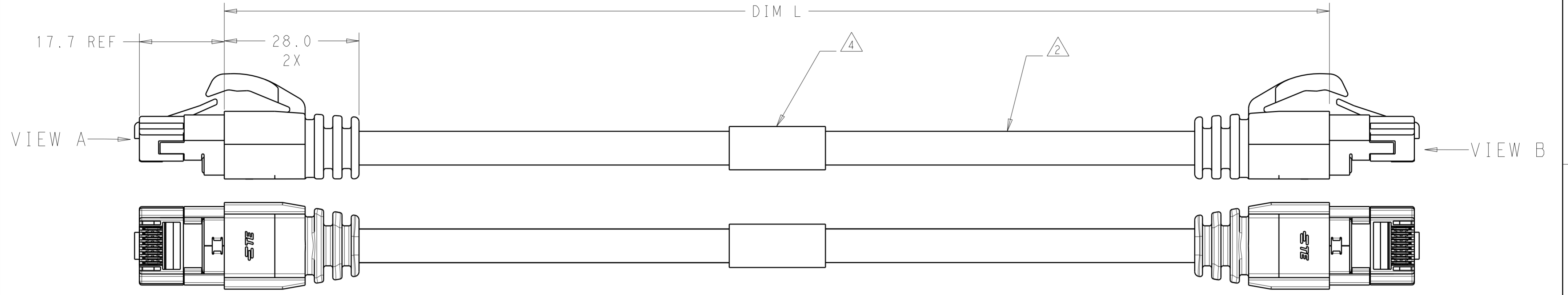


THIS DRAWING IS UNPUBLISHED. RELEASED FOR PUBLICATION 20
 © COPYRIGHT 20 BY - ALL RIGHTS RESERVED.

LOC		DIST		REVISIONS			
P	LTR	DESCRIPTION	DATE	DWN	APVD		
	8	GENERAL UPDATE	20MAR2014	MM	MM		
	9	UPDATED NOTE 2	12MAY2015	JS	MM		



NOTES:

- ① MATERIALS AND FINISH:
 - HOUSING: PC, COLOR: CLEAR
 - CONTACTS: COPPER ALLOY
FINISH: GOLD OVER NICKEL (SIGNAL CONTACTS)
GOLD OVER NICKEL (POWER CONTACTS)
 - CONNECTOR SHIELD: COPPER-ZINC ALLOY
FINISH: TIN OVER NICKEL
 - STRAIN RELIEF: TPV, COLOR: BLACK
- ② CABLE SPECIFICATION:
 - JACKET: PVC, COLOR: RAL9017 - BLACK, OD 6.50 ±0.15
 - SIGNAL CONDUCTORS: 4 PAIR, 24AWG STRANDED (NON-SHIELDED)
 - POWER CONDUCTORS: QTY 2, 18AWG STRANDED
 - MINIMUM BEND RADIUS: 40MM
 - -20 TO 80°C TEMPERATURE RANGE
 - UL444/CMR CONSTRUCTION

3. MUST COMPLY WITH DIRECTIVE 2002/95/EC (ROHS)

④ LABEL CONTENT AS FOLLOWS:

TE P/N YYWW
 YY=YEAR
 WW=WEEK

5. CAT5e PERFORMANCE NOT ATTAINABLE IN CERTAIN APPLICATIONS DUE TO NON-SHIELDED SIGNAL CONDUCTORS WITHIN CABLE

2500.0±250.0	2178127-4
10000.0±100.0	2178127-3
5000.0±50.0	2178127-2
2000.0±20.0	2178127-1
DIM "L"	PART NO.

SIGNAL WIRING DETAILS			
	COLOR	SIDE A	SIDE B
PAIR 2	WHITE/ORANGE STRIPE	1	1
	ORANGE	2	2
PAIR 3	WHITE/GREEN STRIPE	3	3
	BLUE	4	4
PAIR 1	WHITE/BLUE STRIPE	5	5
	GREEN	6	6
PAIR 4	WHITE/BROWN STRIPE	7	7
	BROWN	8	8

POWER CABLE CONNECTION			
	COLOR	SIDE A	SIDE B
	BLACK	PT1	PT1
	RED	PT2	PT2

THIS DRAWING IS A CONTROLLED DOCUMENT.		DWN C. DAILY 18MAY2012	TE Connectivity	
DIMENSIONS: mm		CHK M. MOSTOLLER 18MAY2012		
TOLERANCES UNLESS OTHERWISE SPECIFIED: 0 PLC ±0.2 1 PLC ±0.2 2 PLC ±0.13 3 PLC ±0.13 4 PLC ±0.13 ANGLES ±3° FINISH		APVD - PRODUCT SPEC 108-64022 APPLICATION SPEC 114-32099 WEIGHT -	NAME CABLE ASSEMBLY, CLOUDSPLITTER UNSHIELDED CABLE	
MATERIAL ①		APVD - PRODUCT SPEC 108-64022 APPLICATION SPEC 114-32099 WEIGHT -	SIZE A200779	DRAWING NO. C-2178127
Customer Drawing		SCALE 7:4	SHEET 1	REV 9