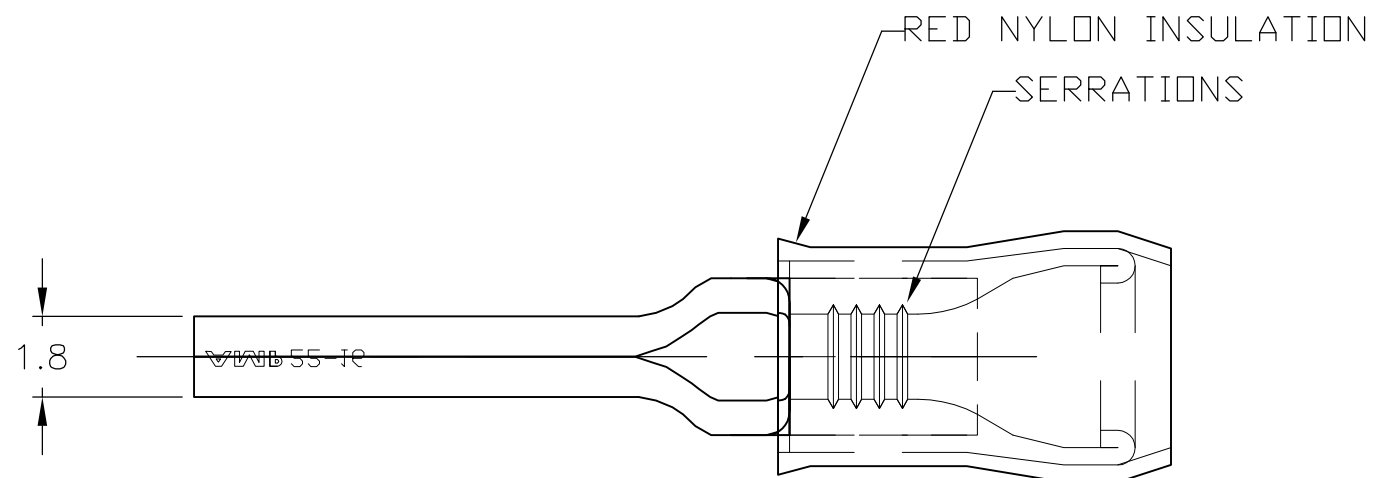
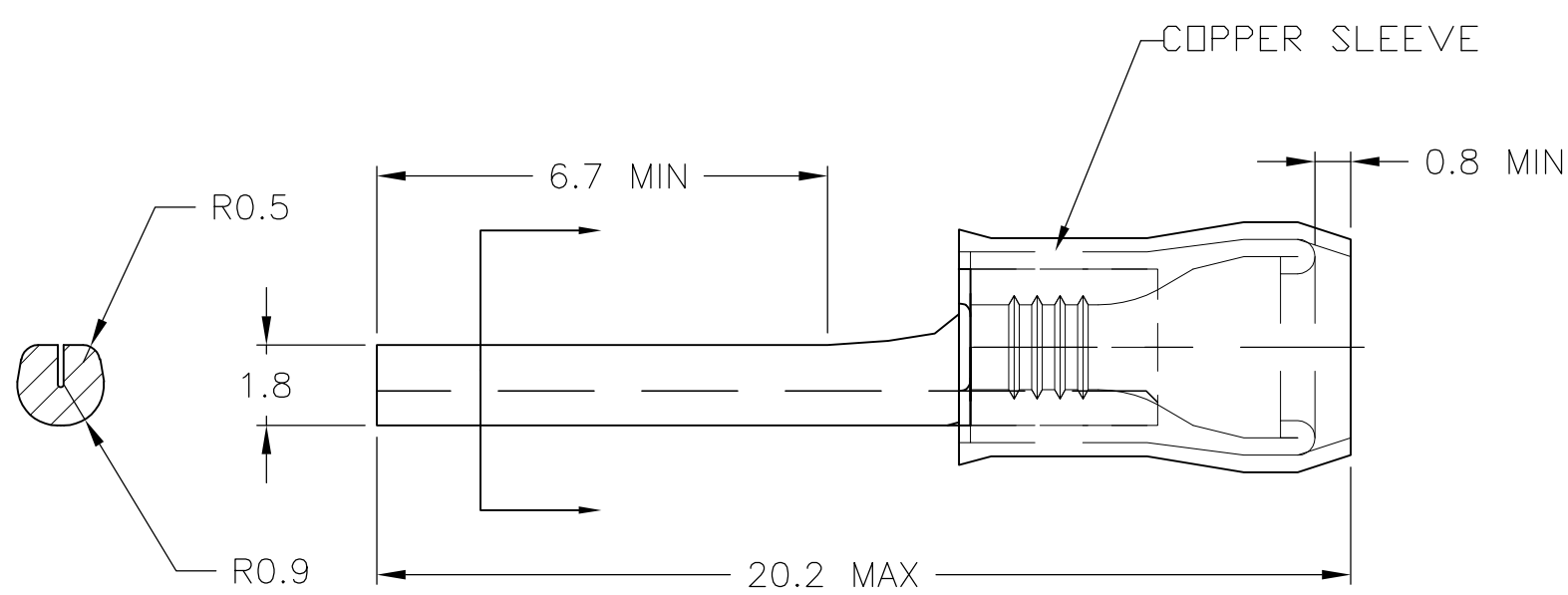


THIS DRAWING IS UNPUBLISHED. RELEASED FOR PUBLICATION  
 © COPYRIGHT - By - ALL RIGHTS RESERVED.

LOC	DIST	REVISIONS			
P	LTR	DESCRIPTION	DATE	DWN	APVD
G	14	G1	REVISED PER ECO-11-004917	11MAR11	RK HMR



- 1 WIRE INSULATION DIA.  
3.6 MAX DIA.
- 2 MATERIAL: BODY - CU PER ASTM B152  
SLEEVE - CU PER ASTM B152  
INSULATION - NYLON
- 3 FINISH: BODY - TIN PL ASTM B545  
SLEEVE - TIN PL ASTM B545  
INSULATION - COLOR - RED



SUPERSEDED BY 696153-2	5000	ON TAPE	2-165142-1
	--	LOOSE PIECE	165142-0
	QTY	PACKAGE TYPE	PART NO

CUSTOMER SERVICE SYSTEMS		MAX RECOMMENDED OPERATING TEMPERATURE: 90°C [194°F]	THIS DRAWING IS A CONTROLLED DOCUMENT.		DWN JR RUTH 19JAN00	<b>STE</b> TE Connectivity			
FOR ADDITIONAL PRODUCT INFORMATION OR COPIES OF DRAWINGS AND TECHNICAL DOCUMENTS	PRODUCT INFORMATION CENTER 1-800-522-6752	VOLTAGE RATING: -	DIMENSIONS: mm	TOLERANCES UNLESS OTHERWISE SPECIFIED:	CHK T MICHIELUTTI 19JAN00				NAME
FOR APPLICATION TOOLING INFORMATION	TOOLING ASSISTANCE CENTER 1-800-722-1111	CIRCULAR MIL AREA: 0.25-1.6mm <sup>2</sup> [493-3158] STRANDED		0 PLC ± - 1 PLC ± 0.38 [.015] 2 PLC ± 0.20 [.008] 3 PLC ± - 4 PLC ± - ANGLES ± -	APVD T MICHIELUTTI 19JAN00	PRODUCT SPEC			
FOR ORDER ENTRY	1-800-526-5142	THIS DRAWING IS A CONTROLLED DOCUMENT FOR AMP INCORPORATED. IT IS SUBJECT TO CHANGE AND THE CONTROLLING ENGINEERING ORGANIZATION SHOULD BE CONTACTED FOR THE LATEST REVISION.	MATERIAL	FINISH	APPLICATION SPEC	SIZE	CAGE CODE	DRAWING NO	RESTRICTED TO
			2	3	---	A3	00779	G-165142	---
CUSTOMER DRAWING						SCALE	SHEET	REV	
						6:1	1 OF 1	G1	