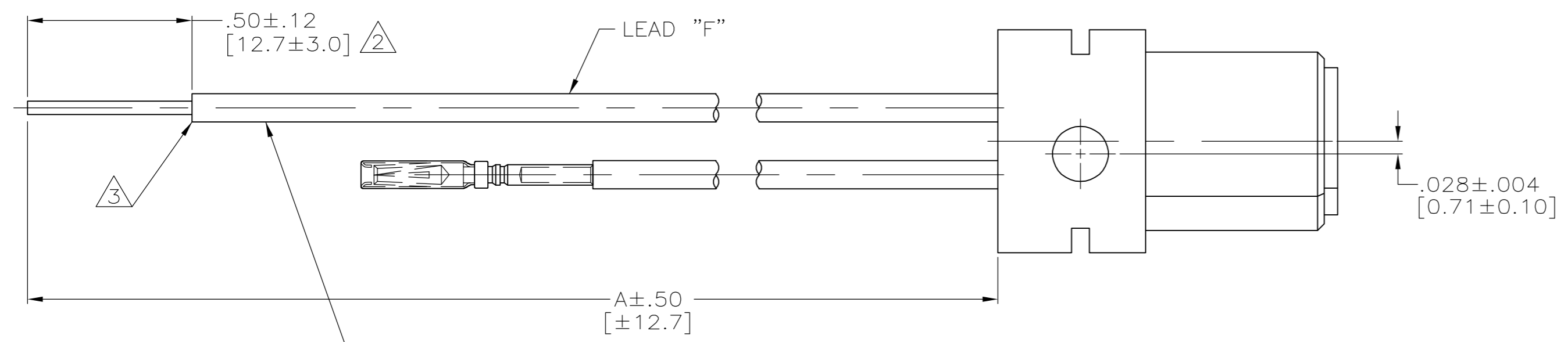
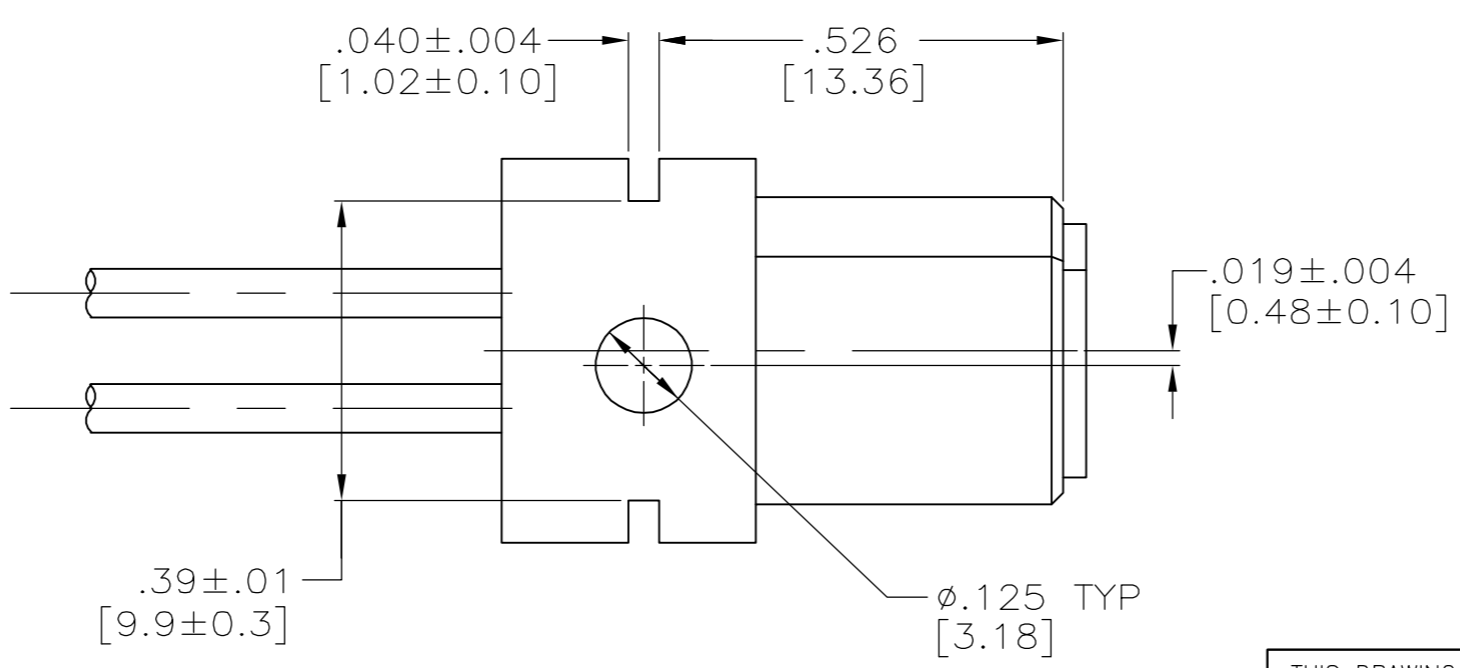
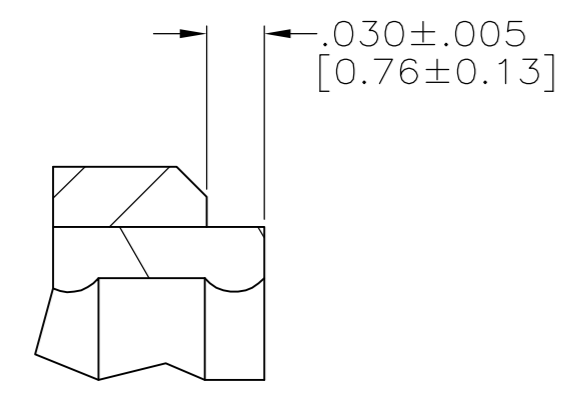
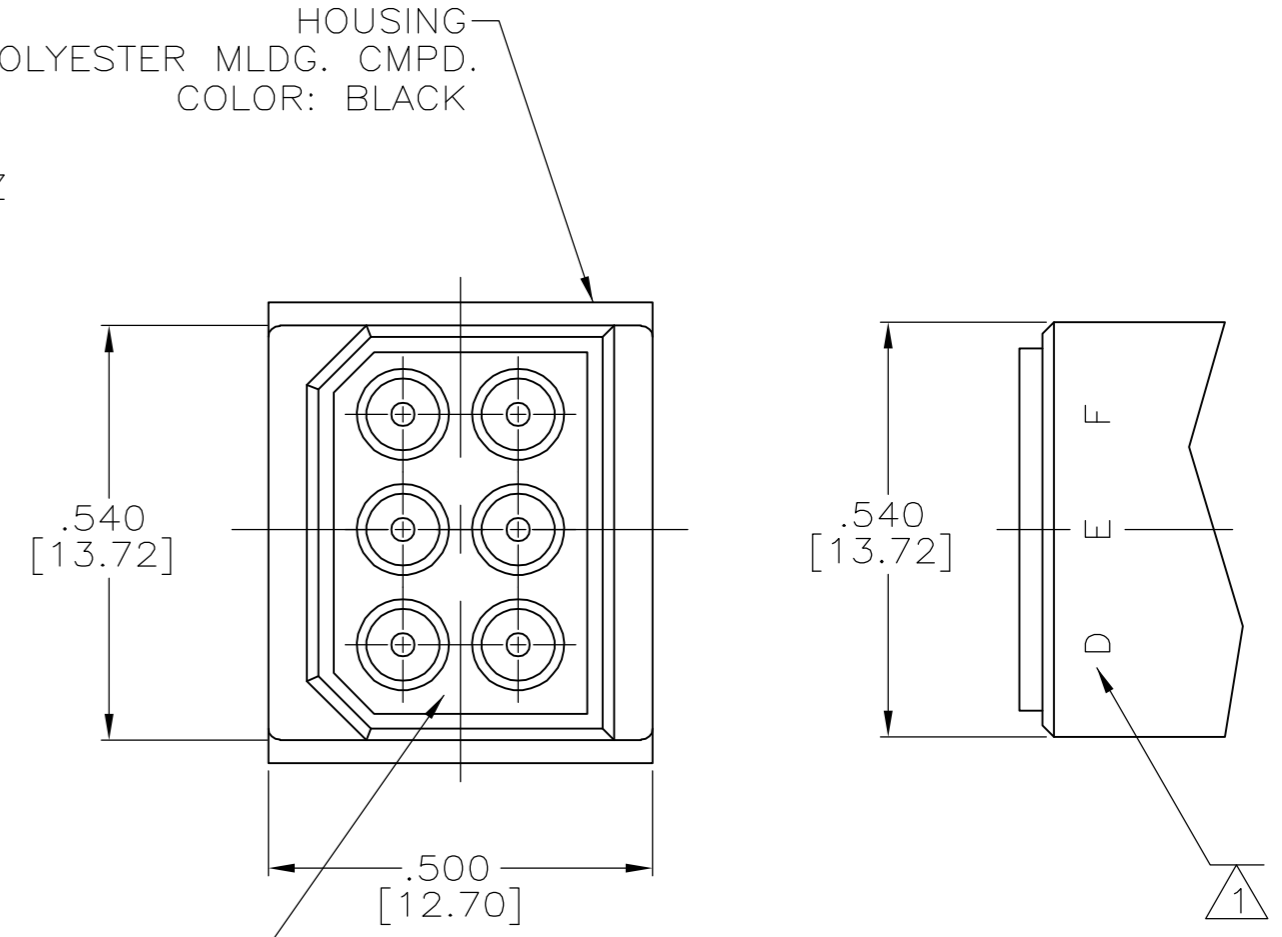
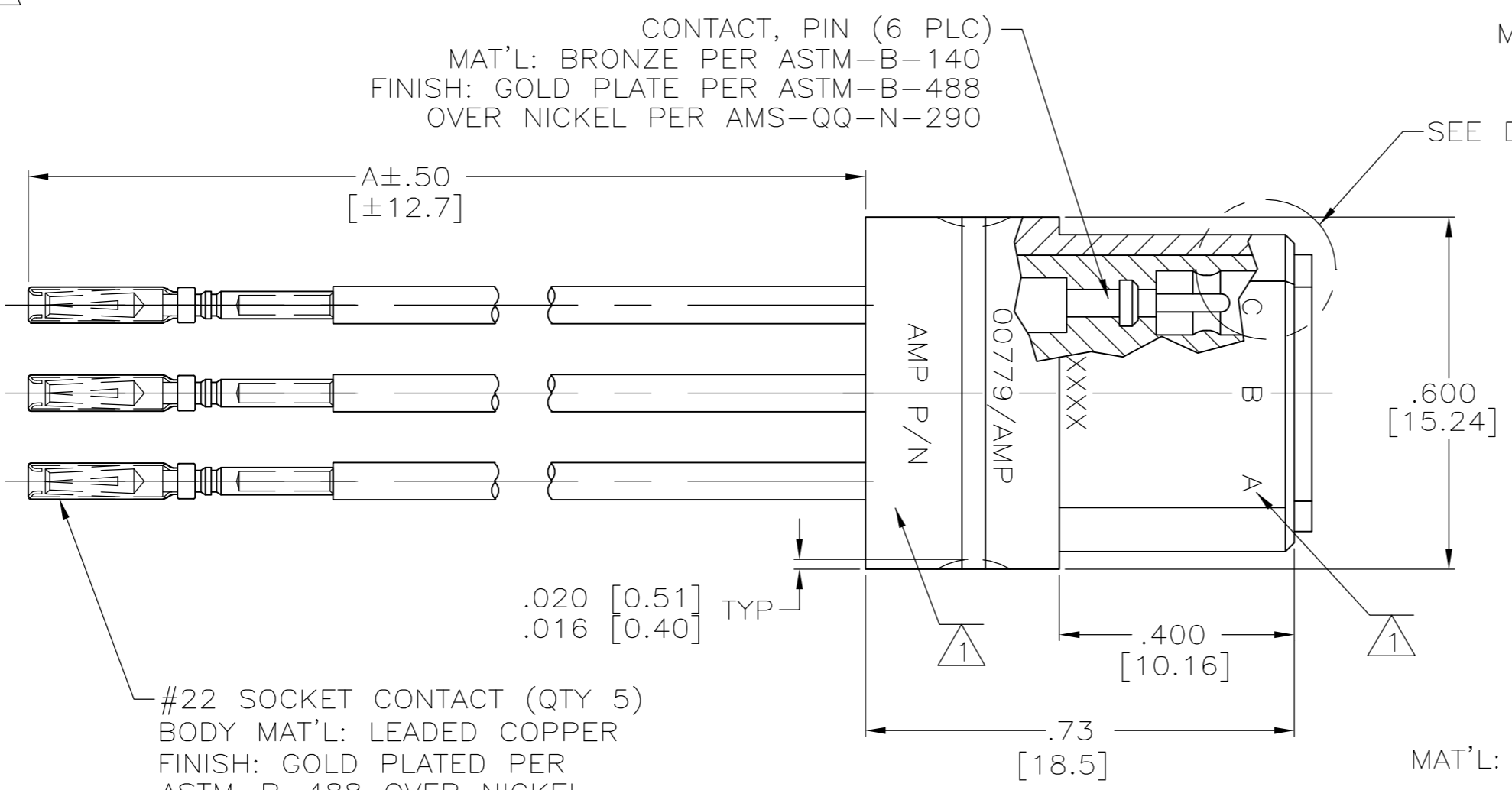


THIS DRAWING IS UNPUBLISHED. RELEASED FOR PUBLICATION - N/A .
 © COPYRIGHT N/A BY TYCO ELECTRONICS CORPORATION. ALL RIGHTS RESERVED.

| LOC | | DIST | | REVISIONS | | | |
|-----|-----|-----------------------|--|-----------|-----|------|--|
| P | LTR | DESCRIPTION | | DATE | DWN | APVD | |
| F | | REV PER ECO-05-003302 | | 08-05 | AA | DE | |



- ① MARKED PER MIL-STD-130.
- ② PIGTAIL IS SOLDER DIPPED.
- ③ INSULATION CUT, BUT NOT REMOVED.



| REMARKS | DIM A | LEAD COLOR | LETTER CAVITY | PART NO. |
|---------|---------------|------------|---------------|------------|
| ③ | 13.00 [330.2] | BLACK | F | 5-868021-1 |
| - | 4.00 [101.6] | GREEN | E | |
| - | 4.00 [101.6] | BLUE | D | |
| - | 4.00 [101.6] | BROWN | C | |
| - | 4.00 [101.6] | RED | B | |
| - | 4.00 [101.6] | YELLOW | A | 868021-1 |
| ② | 13.00 [330.2] | BLACK | F | |
| - | 4.00 [101.6] | GREEN | E | |
| - | 4.00 [101.6] | BLUE | D | |
| - | 4.00 [101.6] | BROWN | C | |
| - | 4.00 [101.6] | RED | B | |
| - | 4.00 [101.6] | YELLOW | A | |

DETAIL Z
SCALE 10:1

THIS DRAWING IS A CONTROLLED DOCUMENT.

| | | |
|------------------|------------|-----------|
| DWN | C.C.THOMAS | 02-DEC-92 |
| CHK | D.EABY | 11-JAN-93 |
| APVD | D.EABY | 11-JAN-93 |
| PRODUCT SPEC | | |
| APPLICATION SPEC | | |
| WEIGHT | - | |
| CUSTOMER DRAWING | | |

tyco Electronics Tyco Electronics Corporation
Harrisburg, Pa 17105-3608

NAME: PLUG ASSY
6 POSN WITH FLYING LEADS
LGH

| | | | |
|------|-----------|------------|---------------|
| SIZE | CAGE CODE | DRAWING NO | RESTRICTED TO |
| A2 | 00779 | C=868021 | - |

SCALE 4:1 SHEET 1 OF 1 REV F