

CLAMP COVER, TYPE 4X

APPLICATION

Used in either corrosive or outdoor applications, Clamp Cover Enclosures combine a seamless foam-in-place gasket with stainless steel screw-down clamps for a consistent and reliable seal, yet the cover is easily removed for access and modifications.

SPECIFICATIONS

- 16 and 14 gauge Type 304 or 316L stainless steel
- Seams continuously welded and ground smooth
- Seamless foam-in-place gasket
- Stainless steel screws and clamps
- Weldnuts provided for mounting optional panels and terminal block kits in size 6.00 x 4.00 in. (152 x 102 mm) and larger
- Bonding provision on door and body

FINISH

Cover and sides of body have smooth #4 brushed finish.

ACCESSORIES

Fast-Operating Clamp-Cover Junction Box Clamp Panels for Junction Boxes
Terminal Block Kit Assembly for Junction Boxes Overview
Steel and Stainless Steel Window Kits
See also the Popular Accessories table following the Standard Products table.

MODIFICATION AND CUSTOMIZATION

Hoffman excels at modifying and customizing products to your specifications. Contact your local Hoffman sales office or distributor for complete information.

BULLETIN: A51S
INDUSTRY STANDARDS

UL 50 Listed; Type 3R, 4, 4X, 12; File No. E27525
cUL Listed per CSA C22.2 No 94; Type 3R, 4, 4X, 12; File No. E27525
UL 508A, 508 Listed; Type 3R, 4, 4X, 12; File No. E61997
cUL Listed per CSA C22.2 No 94; Type 3R, 4, 4X, 12; File No. E61997

NEMA/EEMAC Type 3R, 4, 4X, 12, 13
CSA File No. 42184: Type 4, 4X, 12
IEC 60529, IP66
Meets Type 3RX requirements

Standard Product

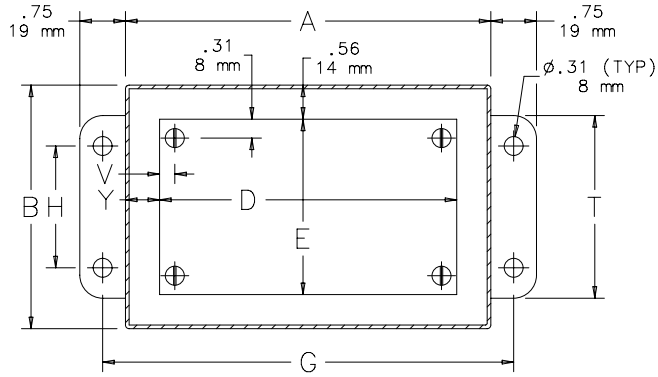
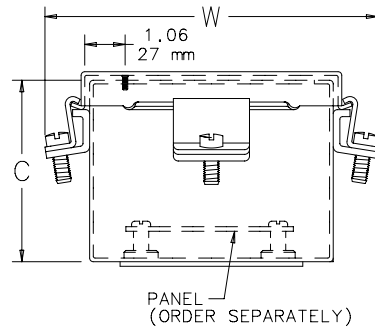
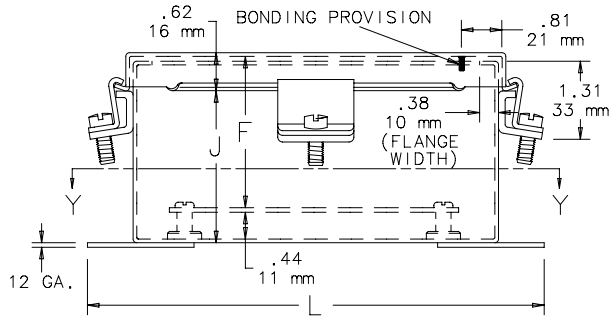
Catalog Number	AxBxC in./mm	UL Listed	Body Gauge	Cover Gauge	Steel Panel	Conductive Steel Panel	Panel Size D x E in./mm	Mounting G x H in./mm	Overall L x W in./mm	F in./mm	J in./mm	M in./mm	N in./mm	T in./mm	V in./mm	Y in./mm
A404NFSS	4.00 x 4.00 x 3.00 102 x 102 x 76	508A	16	16	No Panel	No Panel	No Panel	4.75 x 2.00 121 x 51	5.50 x 5.38 140 x 137	—	2.56 65	1.38 35	1.38 35	3.00 76	—	—
A404NFSS6	4.00 x 4.00 x 3.00 102 x 102 x 76	508A	16	16	No Panel	No Panel	No Panel	4.75 x 2.00 121 x 51	5.50 x 5.38 140 x 137	—	2.56 65	1.38 35	1.38 35	3.00 76	—	—
A6044NFSS	6.00 x 4.00 x 4.00 152 x 102 x 102	508A	16	16	A6P4	A6P4G	4.88 x 2.88 124 x 73	6.75 x 2.00 171 x 51	7.50 x 5.38 191 x 137	3.50 89	3.56 90	1.38 35	1.38 35	3.00 76	0.31 8	0.56 14
A6044NFSS6	6.00 x 4.00 x 4.00 152 x 102 x 102	508A	16	16	A6P4	A6P4G	4.88 x 2.88 124 x 73	6.75 x 2.00 171 x 51	7.50 x 5.38 191 x 137	3.50 89	3.56 90	1.38 35	1.38 35	3.00 76	0.31 8	0.56 14
A8064NFSS	8.00 x 6.00 x 4.00 203 x 152 x 102	50, 50E	14	16	A8P6	A8P6G	6.75 x 4.88 171 x 124	8.75 x 4.00 222 x 102	9.50 x 7.38 241 x 187	3.50 89	3.56 90	—	1.38 35	5.00 127	0.25 6	0.62 16
A8064NFSS6	8.00 x 6.00 x 4.00 203 x 152 x 102	50, 50E	14	16	A8P6	A8P6G	6.75 x 4.88 171 x 124	8.75 x 4.00 222 x 102	9.50 x 7.38 241 x 187	3.50 89	3.56 90	—	1.38 35	5.00 127	0.25 6	0.62 16
A606NFSS	6.00 x 6.00 x 4.00 152 x 152 x 102	50, 50E	16	16	A6P6	A6P6G	4.88 x 4.88 124 x 124	6.75 x 4.00 171 x 102	7.50 x 7.38 191 x 187	3.50 89	3.56 90	2.38 60	1.38 35	5.00 127	0.31 8	0.56 14
A606NFSS6	6.00 x 6.00 x 4.00 152 x 152 x 102	50, 50E	16	16	A6P6	A6P6G	4.88 x 4.88 124 x 124	6.75 x 4.00 171 x 102	7.50 x 7.38 191 x 187	3.50 89	3.56 90	2.38 60	1.38 35	5.00 127	0.31 8	0.56 14
A1008NFSS	10.00 x 8.00 x 4.00 254 x 203 x 102	50, 50E	14	16	A10P8	A10P8G	8.75 x 6.88 222 x 175	10.75 x 6.00 273 x 152	11.50 x 9.38 292 x 238	3.50 89	3.56 90	—	1.38 35	7.00 178	0.25 6	0.62 16
A1008NFSS6	10.00 x 8.00 x 4.00 254 x 203 x 102	50, 50E	14	16	A10P8	A10P8G	8.75 x 6.88 222 x 175	10.75 x 6.00 273 x 152	11.50 x 9.38 292 x 238	3.50 89	3.56 90	—	1.38 35	7.00 178	0.25 6	0.62 16
A12106NFSS	12.00 x 10.00 x 6.00 305 x 254 x 152	50, 50E	14	16	A12P10	A12P10G	10.75 x 8.88 273 x 225	12.75 x 8.00 324 x 203	13.50 x 11.38 343 x 289	5.50 140	5.56 141	—	2.38 60	9.00 229	0.25 6	0.62 16
A12106NFSS6	12.00 x 10.00 x 6.00 305 x 254 x 152	50, 50E	14	16	A12P10	A12P10G	10.75 x 8.88 273 x 225	12.75 x 8.00 324 x 203	13.50 x 11.38 343 x 289	5.50 140	5.56 141	—	2.38 60	9.00 229	0.25 6	0.62 16
A1412NFSS	14.00 x 12.00 x 6.00 356 x 305 x 152	50, 50E	14	16	A14P12	A14P12G	12.75 x 10.88 324 x 276	14.75 x 10.00 375 x 254	15.50 x 13.38 394 x 340	5.50 140	5.56 141	—	2.38 60	11.00 279	0.25 6	0.62 16
A1412NFSS6	14.00 x 12.00 x 6.00 356 x 305 x 152	50, 50E	14	16	A14P12	A14P12G	12.75 x 10.88 324 x 276	14.75 x 10.00 375 x 254	15.50 x 13.38 394 x 340	5.50 140	5.56 141	—	2.38 60	11.00 279	0.25 6	0.62 16
A1614NFSS	16.00 x 14.00 x 6.00 406 x 356 x 152	50, 50E	14	16	A16P14	A16P14G	14.75 x 12.88 375 x 327	16.75 x 12.00 425 x 305	17.50 x 15.38 445 x 391	5.50 140	5.56 141	—	2.38 60	13.00 330	0.25 6	0.62 16
A1614NFSS6	16.00 x 14.00 x 6.00 406 x 356 x 152	50, 50E	14	16	A16P14	A16P14G	14.75 x 12.88 375 x 327	16.75 x 12.00 425 x 305	17.50 x 15.38 445 x 391	5.50 140	5.56 141	—	2.38 60	13.00 330	0.25 6	0.62 16

A404NFSS, A404NFSS6, A6044NFSS and A6044NFSS6 are UL 508A Listed.

The remaining catalog numbers are UL 50 Listed.

Catalog numbers ending in "6" are Type 316L stainless steel.

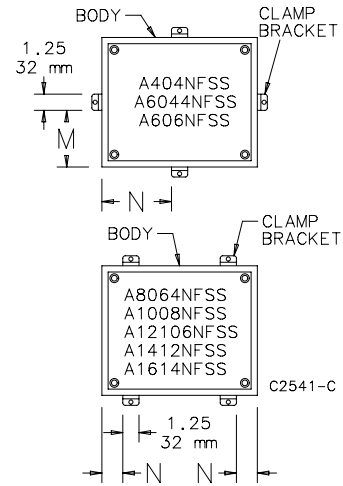
Purchase panels separately. Optional stainless steel, composite and aluminum panels are also available for most sizes.



SECTION Y-Y

NOTE:
1. Optional stainless steel, composite and aluminum panels are available for most sizes

CLAMP BRACKET LOCATIONS



Popular Accessories

Enclosure Width (b Dimension)	Gate Seals
4 in. (102 mm)	AS050SS
6 in. (152 mm)	AS050SS
8 in. (203 mm)	AS050SS
10 in. (254 mm)	AS050SS
12 in. (305 mm)	AS050SS
14 in. (356 mm)	AS050SS