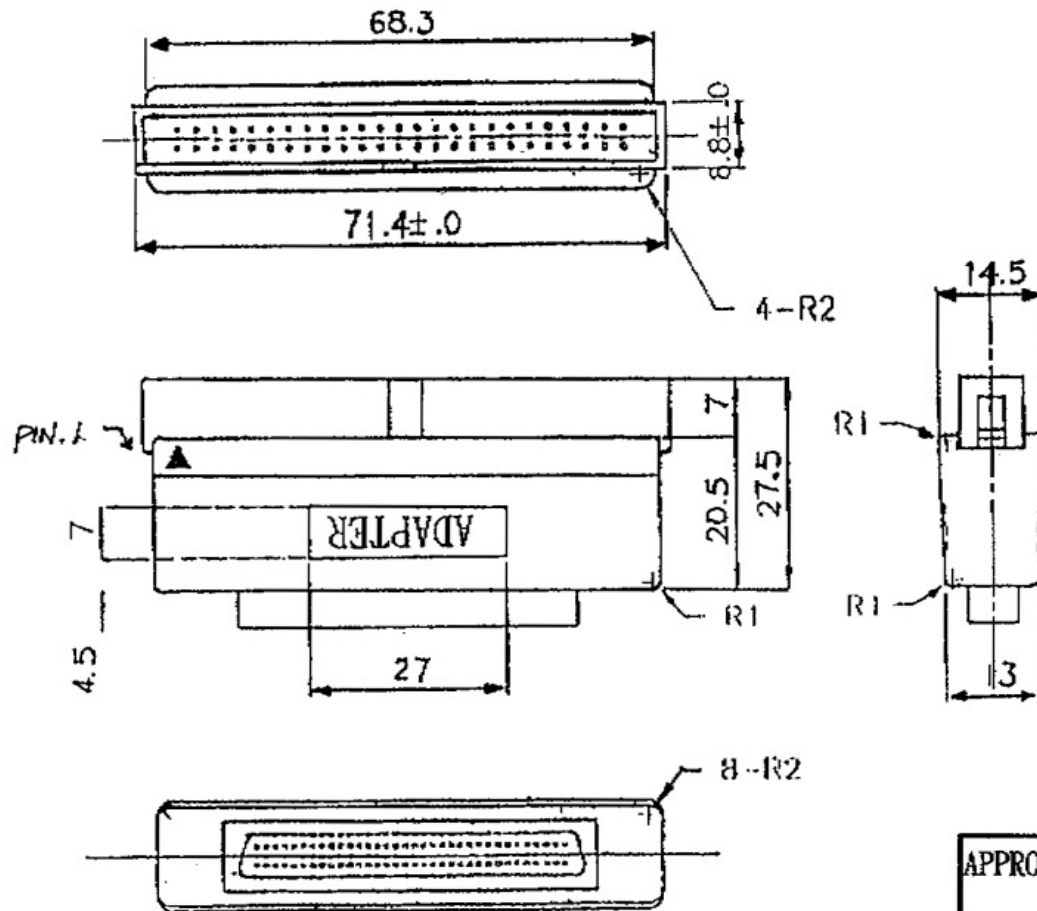


ADAPTER

PIN OUT



IDC50M - MD68M	IDC50M - MD68M	IDC50M - MD68M
P1	P2	P1
1	6	26
2	7	27
3	8	28
4	9	29
5	10	30
6	11	31
7	12	32
8	13	33
9	14	34
10	15	35
11	16	36
12	XX	37
13	XX	38
14	XX	39
15	20	40
16	21	41
17	22	42
18	23	43
19	24	44
20	25	45
21	26	46
22	27	47
23	28	48
24	29	49
25	30	50
MD68M PIN 1 - 5, 31 - 34, 35 - 39		
85 - 68, 17, 18, 19, 51, 53		
IS EMPTY.		

APPROVED	MICHAEL	ASSMANN ELECTRONICS, INC.
CHECKED	JIMMY	P/N : AB-YI007
DRAWN	MICKY	DES. : MD68M/IDC50M