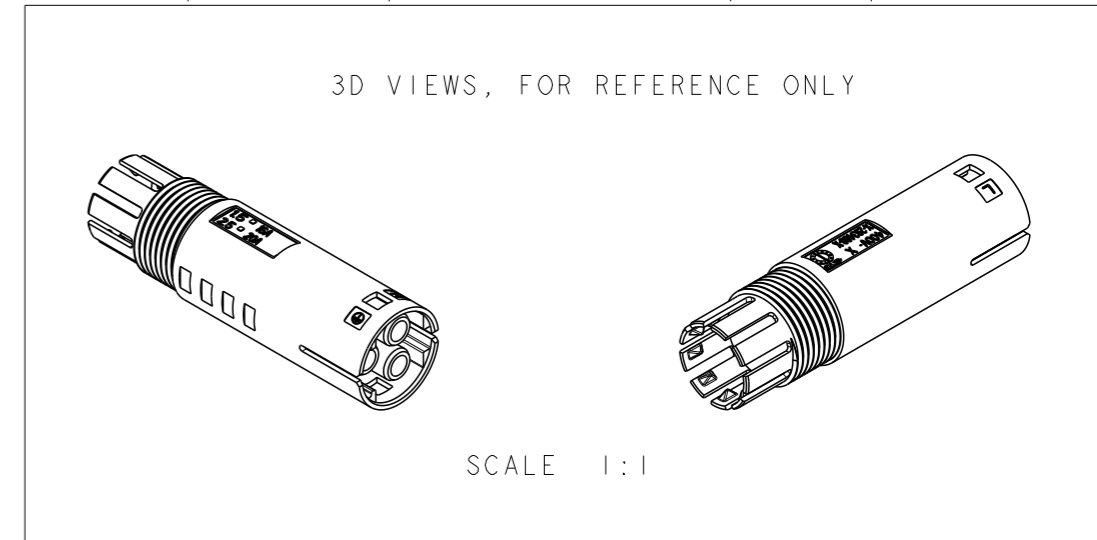
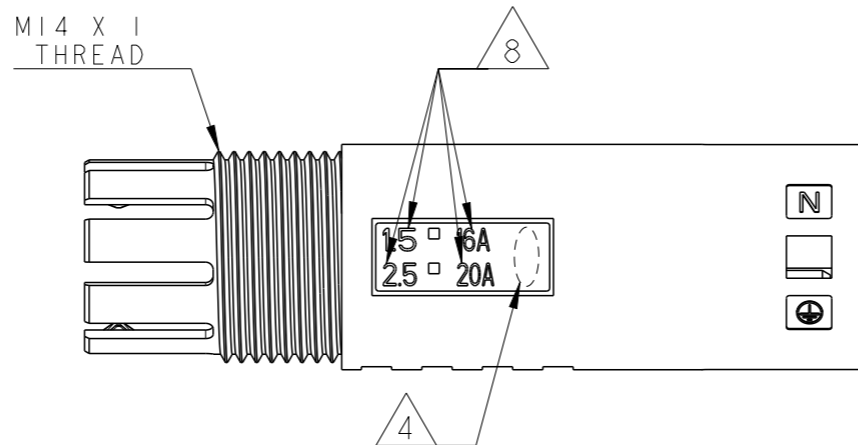
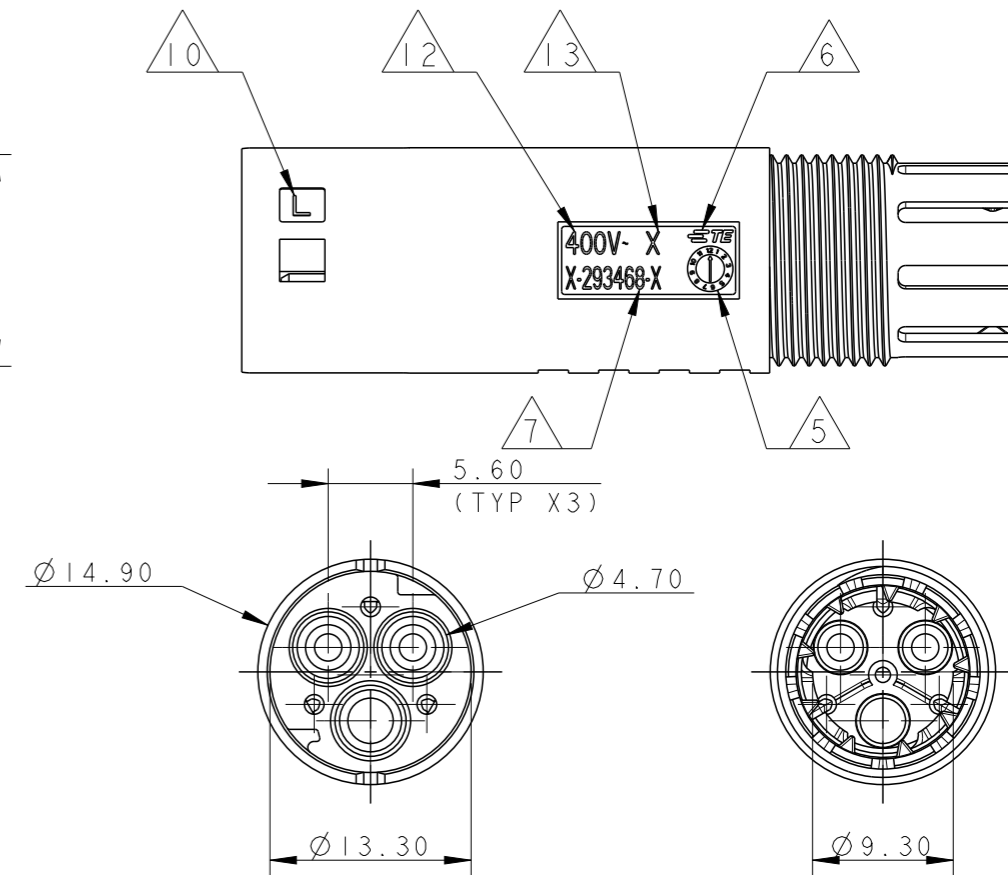
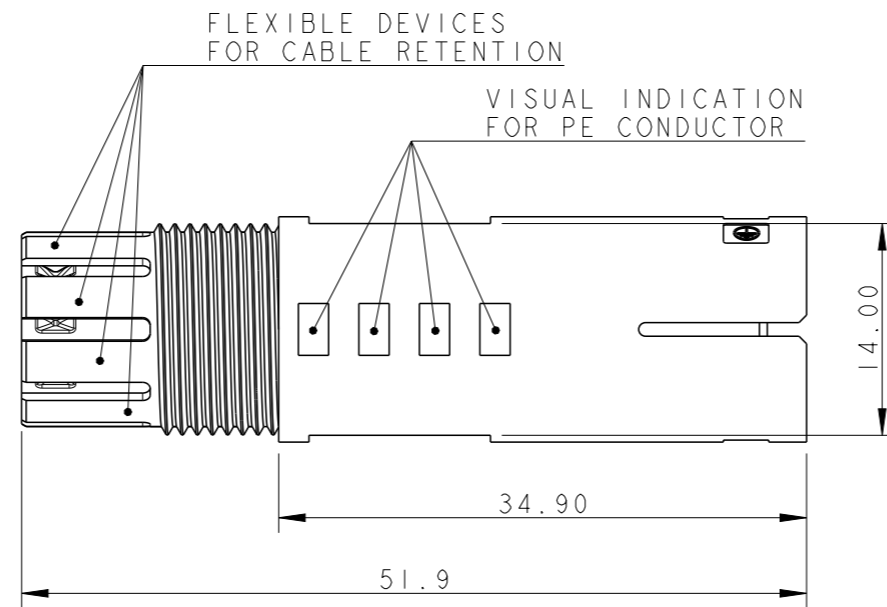



THIS DRAWING IS UNPUBLISHED. RELEASED FOR PUBLICATION 2010  
 © COPYRIGHT 2010 Tyco Electronics AMP GmbH ALL RIGHTS RESERVED.

LOC	DIST	REVISIONS			
P	LTR	DESCRIPTION	DATE	DWN	APVD
	F1	REVISED PART NUMBERS	06JUN2011	MZ	GT
	G	PARTS -1 AND 1-1 RELEASED FOR PRODUCTION	12SEP2011	MZ	GT
	G1	REVISED MARKINGS	01NOV2012	MZ	JC
	G2	PARTS -2, -3, 1-2, 1-3 RELEASED FOR PRODUCTION	26JUN2013	KR	JC

NOTES:

- 1 MATERIAL: POLYAMIDE GLASS FILLED COLOUR NATURAL
- 2 MATERIAL: POLYAMIDE GLASS FILLED COLOUR BLACK
- 3) PACKAGING: SEE TE PACKAGING SPECIFICATION 107-20294
- 4 AREA FOR AGENCY APPROVAL LOGO
- 5 DATE CODE
- 6 TE LOGO
- 7 TE PART NUMBER
- 8 CONDUCTOR SIZE AND CURRENT RATING
- 9 N CODE
- 10 L CODE
- 11 PE CODE
- 12 RATED VOLTAGE
- 13 CAVITY MOULD NUMBER
- 14 PART NOT YET TOOLED AND RELEASED FOR PRODUCTION
- 15) FOR CABLE TYPE AND CABLE RANGE REFER TO CUSTOMER DRAWING 293607



THIS DRAWING IS A CONTROLLED DOCUMENT.		DWN M. ZUCCA 21OCT2009	 TE Connectivity		
DIMENSIONS: mm		CHK M. ZUCCA 21OCT2009			
TOLERANCES UNLESS OTHERWISE SPECIFIED:		APVD G. TURCO 21OCT2009	NAME SOCKET HOUSING FREE HANGING NECTOR* M-LINE 3 POSITIONS UNSEALED VERSION		
0 PLC ±- 1 PLC ±0.3 2 PLC ±0.20 3 PLC ±- 4 PLC ±- ANGLES ±3° FINISH -		PRODUCT SPEC 108-20304	SIZE A300779	CAGE CODE C-293468	RESTRICTED TO -
MATERIAL SEE NOTES		APPLICATION SPEC 114-20152	DRAWING NO		
		WEIGHT ~4.6 g	SCALE 2:1		SHEET 1 OF 2
		Customer Drawing	REV G2		

THIS DRAWING IS UNPUBLISHED.

RELEASED FOR PUBLICATION

2010

© COPYRIGHT 2010

Tyco Electronics AMP GmbH

ALL RIGHTS RESERVED.

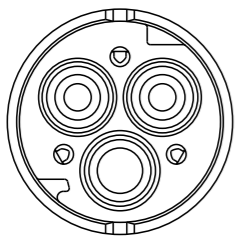
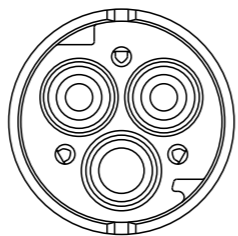
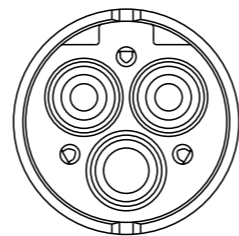
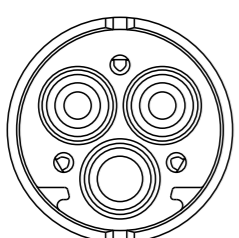
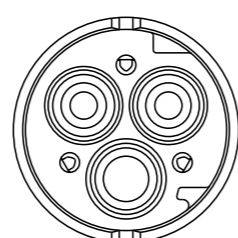
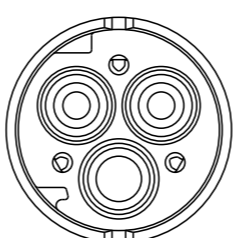
LOC

DIST













REVISIONS

P	LTR	DESCRIPTION	DATE	DWN	APVD
-	-	SEE SHEET 1	-	-	-

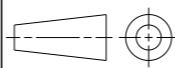
### POLARIZATION TYPES

TYPE "A"	TYPE "B"	TYPE "C"
		
P/Ns: 0-293468-1, 1-293468-1	P/Ns: 0-293468-2, 1-293468-2	P/Ns: 0-293468-3, 1-293468-3
TYPE "D"	TYPE "E"	TYPE "F"
		
P/Ns: 0-293468-4, 1-293468-4	P/Ns: 0-293468-5, 1-293468-5	P/Ns: 0-293468-6, 1-293468-6

### TABLE 1

	F	BLACK	SOCKET HOUSING FREE HANGING VERSION NECTOR* M-LINE	F	1-293468-6
	E	BLACK	SOCKET HOUSING FREE HANGING VERSION NECTOR* M-LINE	F	1-293468-5
	D	BLACK	SOCKET HOUSING FREE HANGING VERSION NECTOR* M-LINE	F	1-293468-4
	C	BLACK	SOCKET HOUSING FREE HANGING VERSION NECTOR* M-LINE	G	1-293468-3
	B	BLACK	SOCKET HOUSING FREE HANGING VERSION NECTOR* M-LINE	G	1-293468-2
	A	BLACK	SOCKET HOUSING FREE HANGING VERSION NECTOR* M-LINE	G	1-293468-1
	F	NATURAL	SOCKET HOUSING FREE HANGING VERSION NECTOR* M-LINE	F	0-293468-6
	E	NATURAL	SOCKET HOUSING FREE HANGING VERSION NECTOR* M-LINE	F	0-293468-5
	D	NATURAL	SOCKET HOUSING FREE HANGING VERSION NECTOR* M-LINE	F	0-293468-4
	C	NATURAL	SOCKET HOUSING FREE HANGING VERSION NECTOR* M-LINE	G	0-293468-3
	B	NATURAL	SOCKET HOUSING FREE HANGING VERSION NECTOR* M-LINE	G	0-293468-2
	A	NATURAL	SOCKET HOUSING FREE HANGING VERSION NECTOR* M-LINE	G	0-293468-1
NOTE	POL. KEYING	COLOUR	DESCRIPTION	REV.	PART NUMBER

THIS DRAWING IS A CONTROLLED DOCUMENT.

DIMENSIONS: mm	TOLERANCES UNLESS OTHERWISE SPECIFIED:
	0 PLC ±-
	1 PLC ±0.3
	2 PLC ±0.20
	3 PLC ±-
	4 PLC ±-
	ANGLES ±3°
MATERIAL	FINISH
SEE NOTES	-

DWN	M. ZUCCA	21OCT2009
CHK	M. ZUCCA	21OCT2009
APVD	G. TURCO	21OCT2009
PRODUCT SPEC	108-20304	
APPLICATION SPEC	114-20152	
WEIGHT	~4.6 g	



NAME			
SOCKET HOUSING FREE HANGING NECTOR* M-LINE 3 POSITIONS UNSEALED VERSION			
SIZE	CAGE CODE	DRAWING NO	RESTRICTED TO
A3	00779	G-293468	-

Customer Drawing      SCALE 2:1      SHEET 2 OF 2      REV G2