

# MicroTouch™ CT150 Touch Monitor Dimensional Drawings


## CONTENTS:

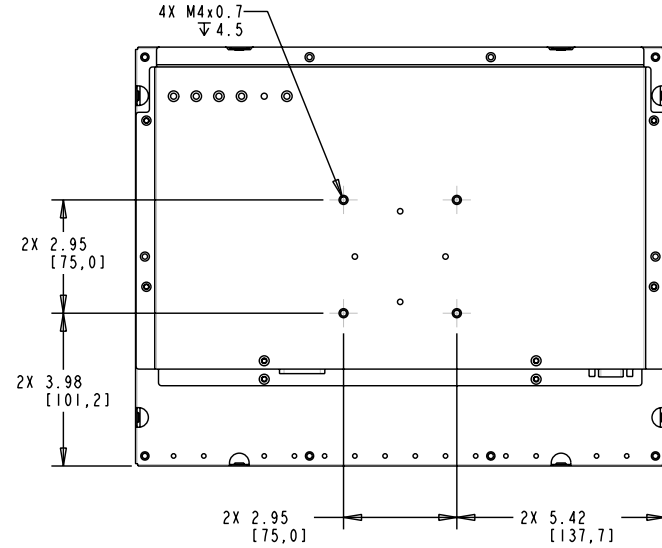
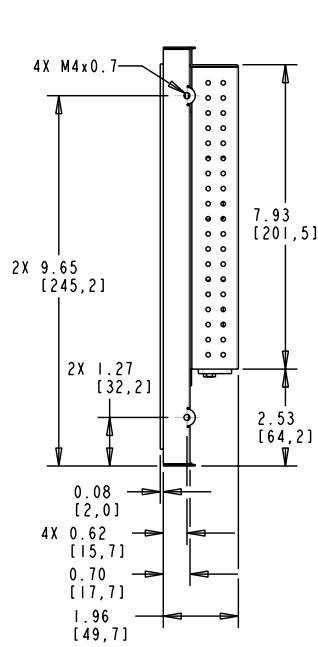
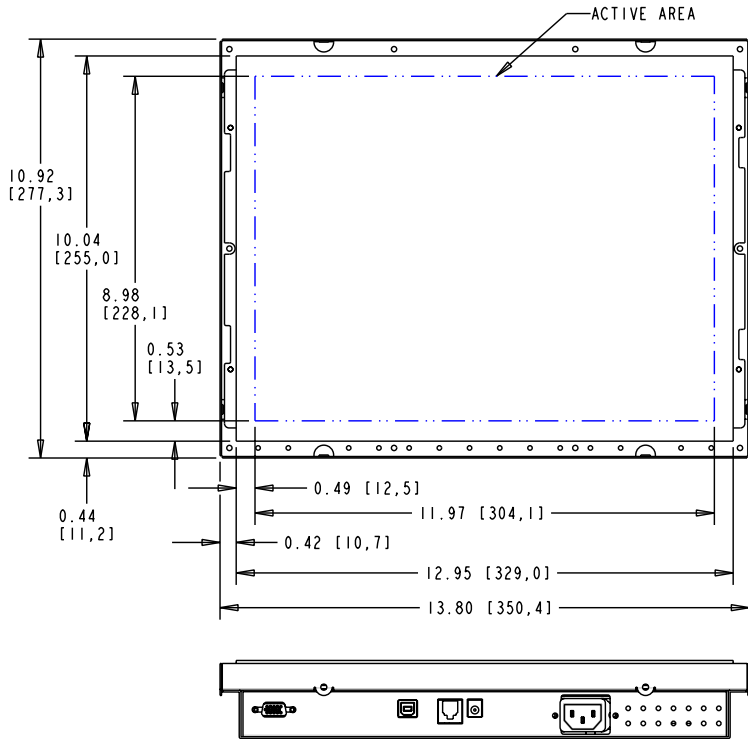
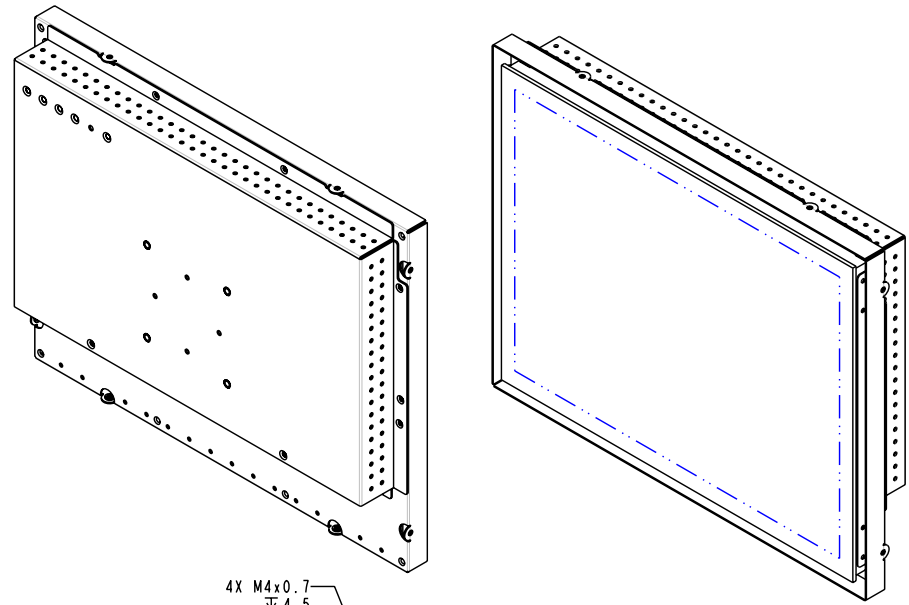
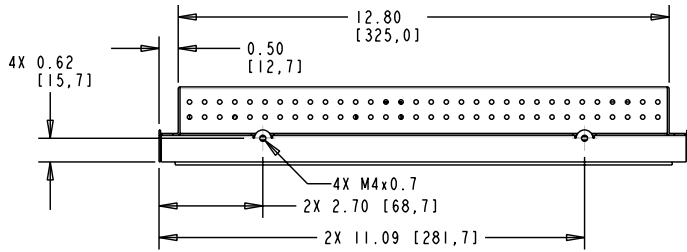
- 11-71315-225-00\* – CT150 USB with no Bezel
- 11-71315-227-00\* – CT150 Serial with no Bezel
- 11-71315-225-01\*\* – CT150 USB with Slimline Bezel
- 11-71315-227-01\*\* – CT150 Serial with Slimline Bezel
- N/A – Contour Flanged Bezel
- 11-71315-225-03\*\* – CT150 USB with Contour Bezel
- 29369\*\* – Contour Flanged Bezel
- N/A – CT150 with Industrial Bezel (Reference only)
- 29368\*\* – Industrial Flanged Bezel
- 30113\*\* – Heavy-duty Mounting Bracket
- N/A – Angle Mounting Bracket (ships with all products)

\* Available only in Europe  
\*\* Available worldwide



**MicroTouch**  
www.CT150monitor.com

UNITS INCHES [MM]		 <b>3M TOUCH SYSTEMS</b> METHUEN, MA USA <small>© COPYRIGHT 2003 THIS DOCUMENT IS COPYRIGHTED PROPERTY OF THE 3M COMPANY AND MAY NOT BE REPRODUCED WITHOUT 3M WRITTEN PERMISSION OR USED OR DISCLOSED FOR OTHER THAN 3M AUTHORIZED PURPOSES.</small>	REV INITIAL RELEASE PER ECO XXXXXX	XX/XX/XX	XX
TOLERANCES UNLESS OTHERWISE SPECIFIED			REV CHANGE NOTICE	DATE	DRW
.X ±0.1		TITLE			
.XX ±0.01		DRAWN			
.XXX ±0.005		CAD FORMAT			
ANGLES ±0.5°		SHEET 1 OF 1			
THIRD ANGLE PROJECTION		SIZE DOCUMENT NO.			
DO NOT SCALE DRAWING		REV I			
SCALE 1 = 1					

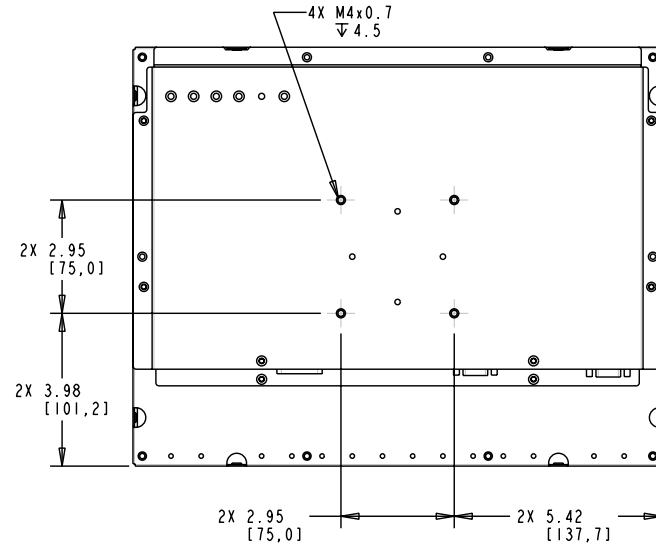
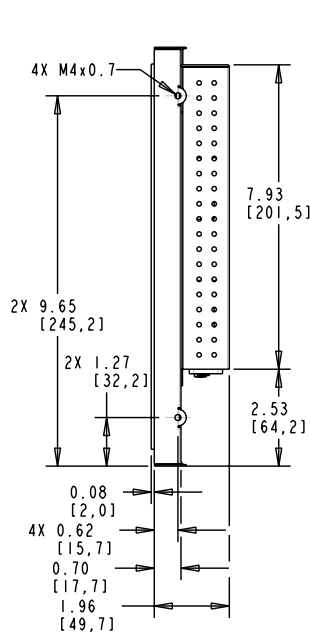
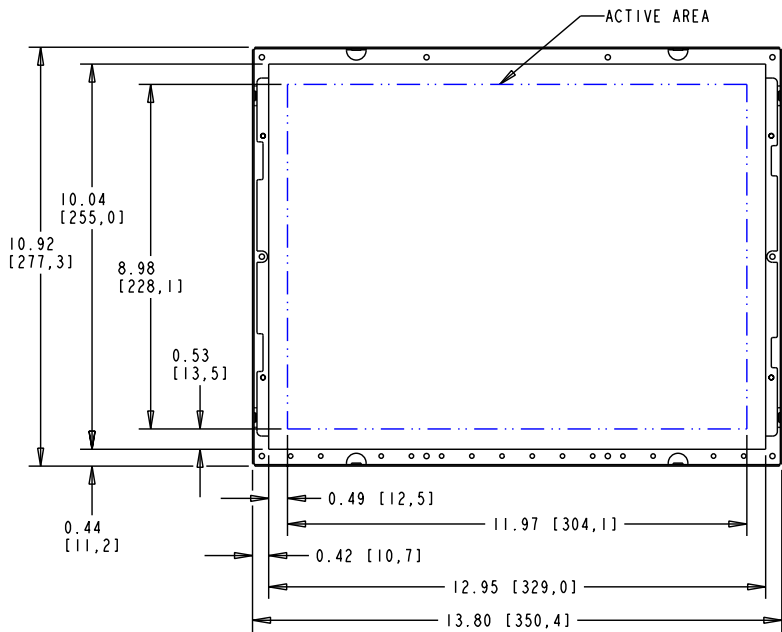
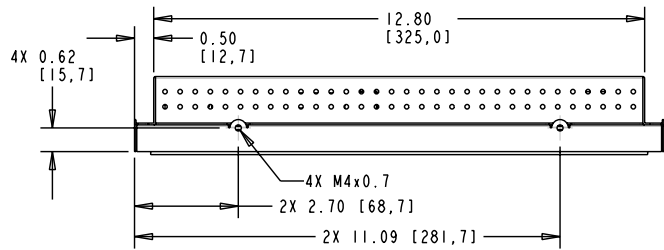
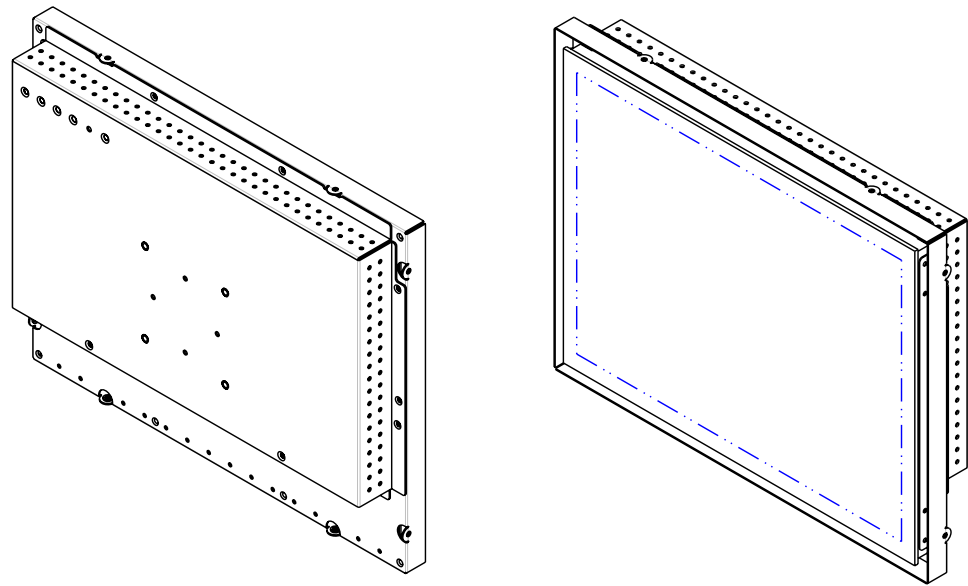


**MicroTouch**  
 www.CT150monitor.com

UNITS	INCHES [MM]
TOLERANCES UNLESS OTHERWISE SPECIFIED	
.X	±0.1
.XX	±0.01
.XXX	±0.005
ANGLES	±0.5°
THIRD ANGLE PROJECTION	
DO NOT SCALE DRAWING	
SCALE	1 = 1

**3M** 3M TOUCH SYSTEMS  
 METHUEN, MA  
 USA  
 © COPYRIGHT 2003  
 THIS DOCUMENT IS COPYRIGHTED PROPERTY OF THE 3M COMPANY AND MAY NOT BE REPRODUCED WITHOUT 3M WRITTEN PERMISSION OR USED OR DISCLOSED FOR OTHER THAN 3M AUTHORIZED PURPOSES.

REV	INITIAL RELEASE PER ECO XXXXXX	XX/XX/XX	XX
REV	CHANGE NOTICE	DATE	DWG
TITLE			
<b>CT150 USB TOUCH MONITOR WITHOUT BEZEL</b>			
CAD FORMAT	SHEET 1 OF 1		
SIZE	DOCUMENT NO.	REV	
C	11-71315-225-00	REV I	



**MicroTouch**  
www.CT150monitor.com

UNITS INCHES [MM]		<b>3M TOUCH SYSTEMS</b> METHUEN, MA USA © COPYRIGHT 2003 THIS DOCUMENT IS COPYRIGHTED PROPERTY OF THE 3M COMPANY AND MAY NOT BE REPRODUCED WITHOUT 3M WRITTEN PERMISSION OR USED OR DISCLOSED FOR OTHER THAN 3M AUTHORIZED PURPOSES.	REV INITIAL RELEASE PER ECO XXXXXX	XX/XX/XX
TOLERANCES UNLESS OTHERWISE SPECIFIED .X ±0.1 .XX ±0.01 .XXX ±0.005 ANGLES ±0.5°			REV CHANGE NOTICE	DATE
THIRD ANGLE PROJECTION 		TITLE <b>CT150 SERIAL TOUCH MONITOR WITHOUT BEZEL</b>		
DO NOT SCALE DRAWING		CAD FORMAT SHEET 1 OF 1		
SCALE 1 = 1		SIZE DOCUMENT NO. 11-71315-227-00		
		REV I		

4

3

2

1

D

D

C

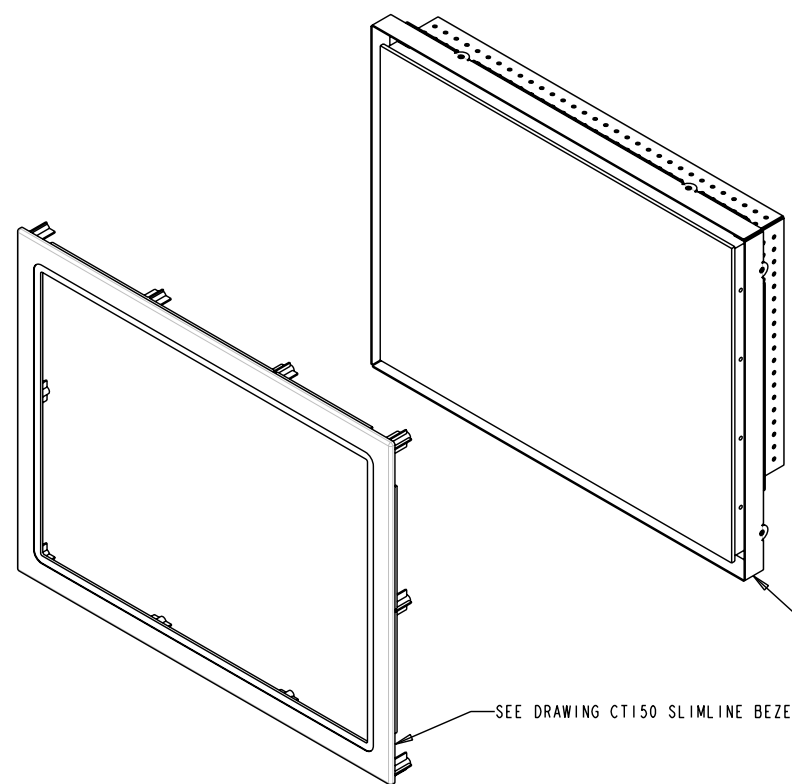
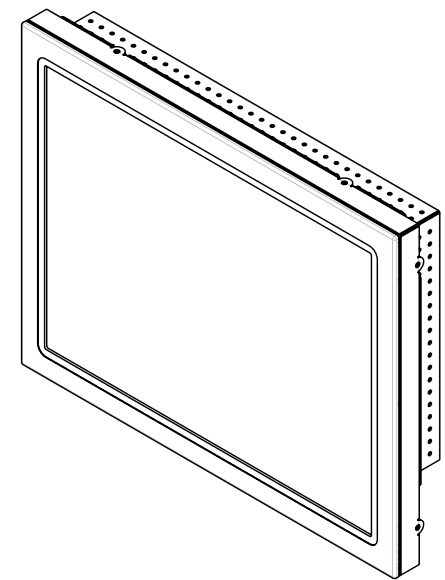
C

B

B

A

A



SEE DRAWING 11-71315-225-00 CT150 USB

SEE DRAWING CT150 SLIMLINE BEZEL

**MicroTouch**  
www.CT150monitor.com

UNITS	INCHES [MM]
TOLERANCES UNLESS OTHERWISE SPECIFIED	
.X	± 0.1
.XX	± 0.01
.XXX	± 0.005
ANGLES	± 0.5°
THIRD ANGLE PROJECTION	
DO NOT SCALE DRAWING	
SCALE	1 = 1

**3M** 3M TOUCH SYSTEMS  
METHUEN, MA  
USA  
© COPYRIGHT 2003  
THIS DOCUMENT IS COPYRIGHTED PROPERTY OF THE 3M COMPANY AND MAY NOT BE REPRODUCED WITHOUT 3M WRITTEN PERMISSION OR USED OR DISCLOSED FOR OTHER THAN 3M AUTHORIZED PURPOSES.

REV	INITIAL RELEASE PER ECO XXXXXX	XX/XX/XX	XX
REV	CHANGE NOTICE	DATE	DRW
TITLE			
CT150 USB TOUCH MONITOR SLIMLINE BEZEL			
CAD FORMAT		SHEET 1 OF 1	
SIZE	DOCUMENT NO.	REV	
C	11-71315-225-01	REV 1	

4

3

2

1

4

3

2

1

D

D

C

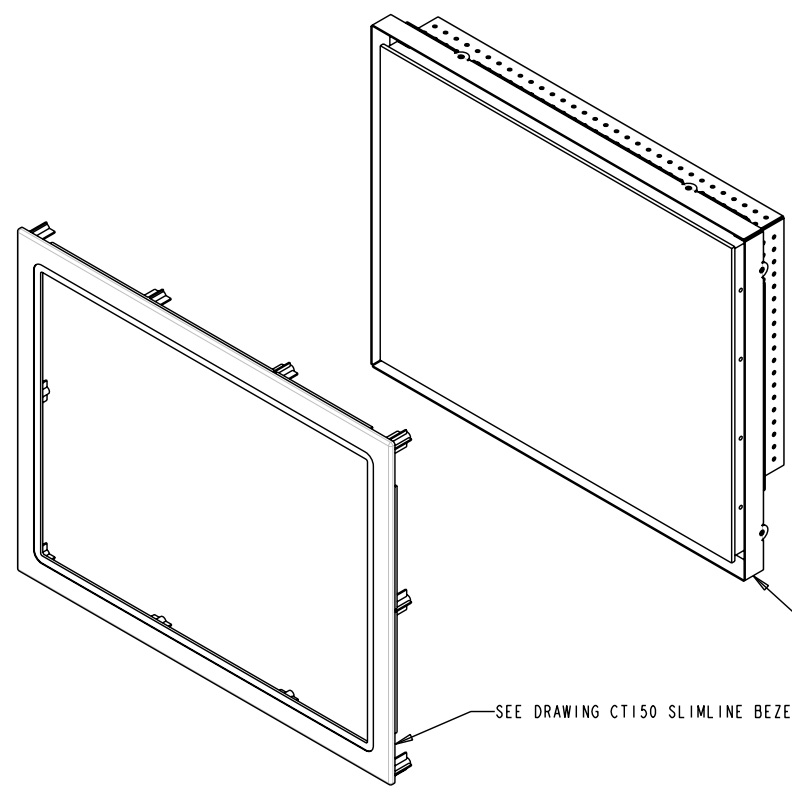
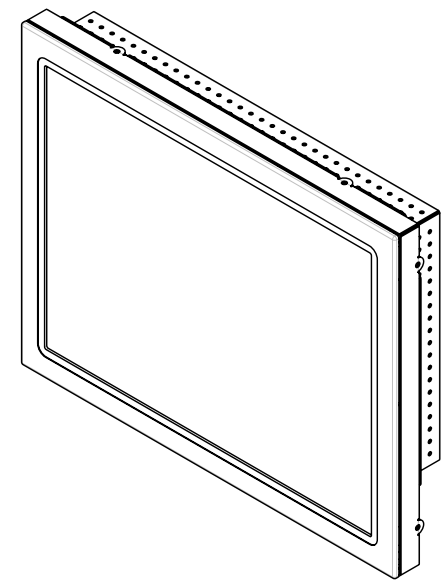
C

B

B

A

A



SEE DRAWING 11-71315-227-00 CT150 SERIAL

SEE DRAWING CT150 SLIMLINE BEZEL

**MicroTouch**  
www.CT150monitor.com

UNITS	INCHES [MM]
TOLERANCES UNLESS OTHERWISE SPECIFIED	
.X	± 0.1
.XX	± 0.01
.XXX	± 0.005
ANGLES	± 0.5°
THIRD ANGLE PROJECTION	
DO NOT SCALE DRAWING	
SCALE	1 = 1

**3M** 3M TOUCH SYSTEMS  
METHUEN, MA  
USA  
© COPYRIGHT 2003  
THIS DOCUMENT IS COPYRIGHTED PROPERTY OF THE 3M COMPANY AND MAY NOT BE REPRODUCED WITHOUT 3M WRITTEN PERMISSION OR USED OR DISCLOSED FOR OTHER THAN 3M AUTHORIZED PURPOSES.

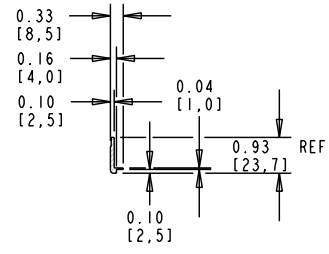
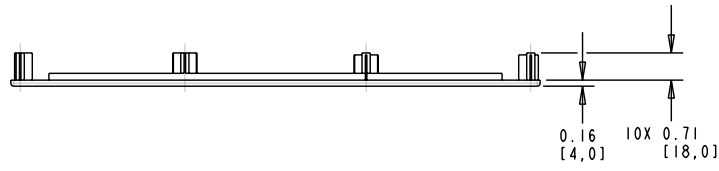
REV	INITIAL RELEASE PER ECO XXXXXX	XX/XX/XX	XX
REV	CHANGE NOTICE	DATE	DWG
TITLE			
CT150 SERIAL TOUCH MONITOR SLIMLINE BEZEL			
CAD FORMAT	SHEET		1 OF 1
SIZE	DOCUMENT NO.	REV	
C	11-71315-227-01	REV	1

4

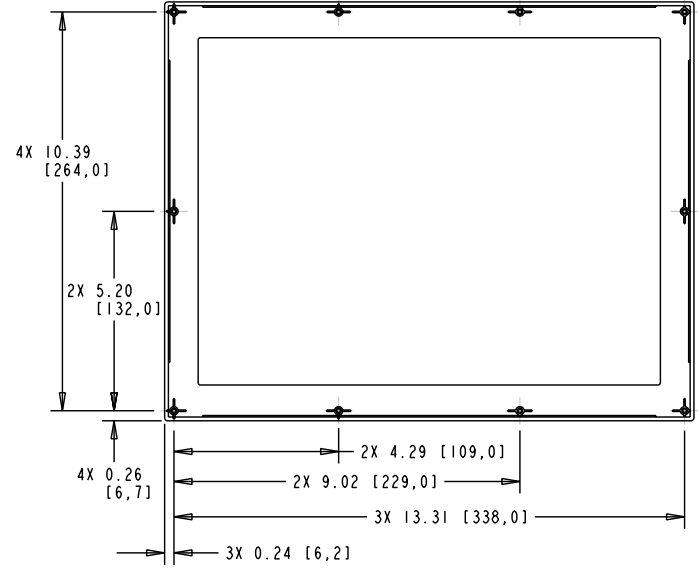
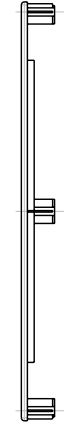
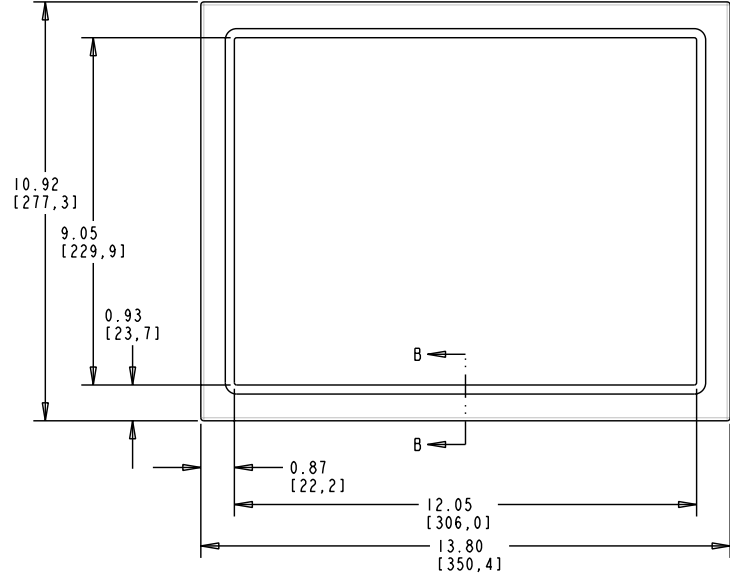
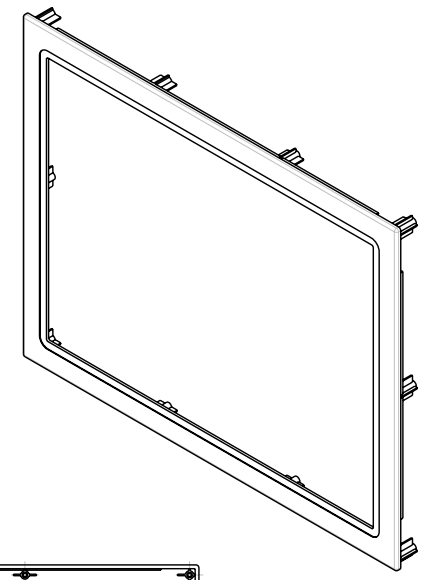
3

2

1



SECTION B-B

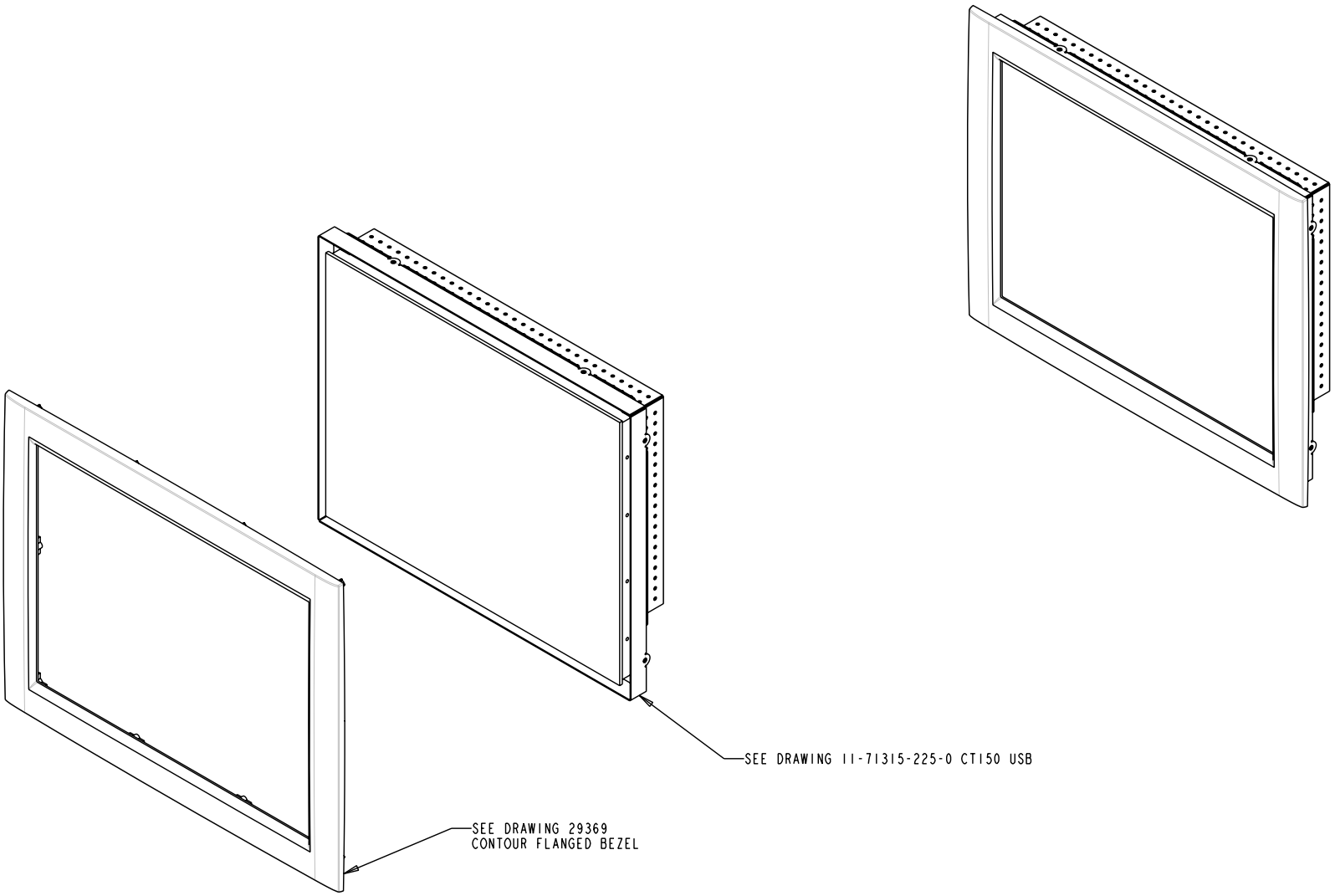


**MicroTouch**  
www.CT150monitor.com

UNITS	INCHES [MM]
TOLERANCES UNLESS OTHERWISE SPECIFIED	
.X	±0.1
.XX	±0.01
.XXX	±0.005
ANGLES	±0.5°
THIRD ANGLE PROJECTION	
DO NOT SCALE DRAWING	
SCALE	1 = 1

**3M** 3M TOUCH SYSTEMS  
METHUEN, MA  
USA  
© COPYRIGHT 2003  
THIS DOCUMENT IS COPYRIGHTED PROPERTY OF THE 3M COMPANY AND MAY NOT BE REPRODUCED WITHOUT 3M WRITTEN PERMISSION OR USED OR DISCLOSED FOR OTHER THAN 3M AUTHORIZED PURPOSES.

REV	INITIAL RELEASE PER ECO XXXXXX	XX/XX/XX	XX
REV	CHANGE NOTICE	DATE	DWG
TITLE			
<b>CT150 SLIMLINE BEZEL</b>			
CAD FORMAT	SHEET		1 OF 1
SIZE	DOCUMENT NO.	REV	REV 1



SEE DRAWING 11-71315-225-0 CT150 USB

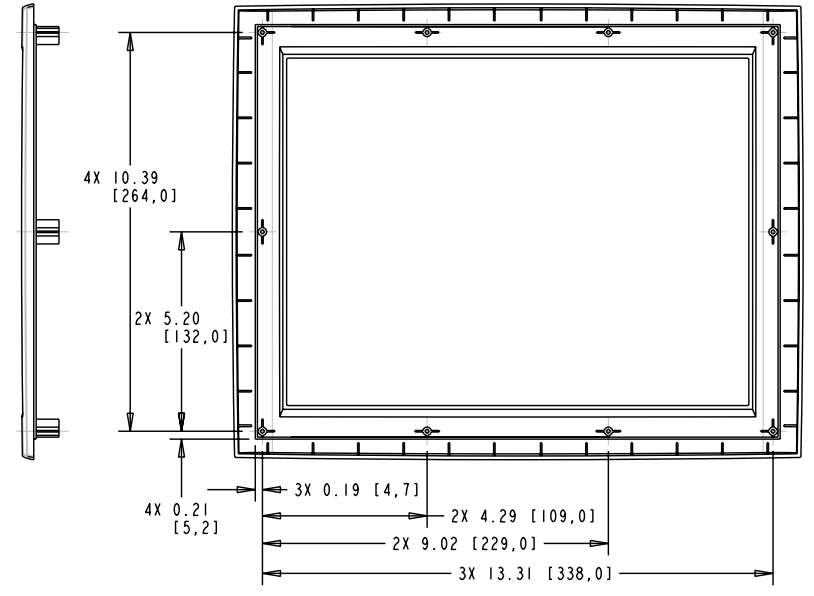
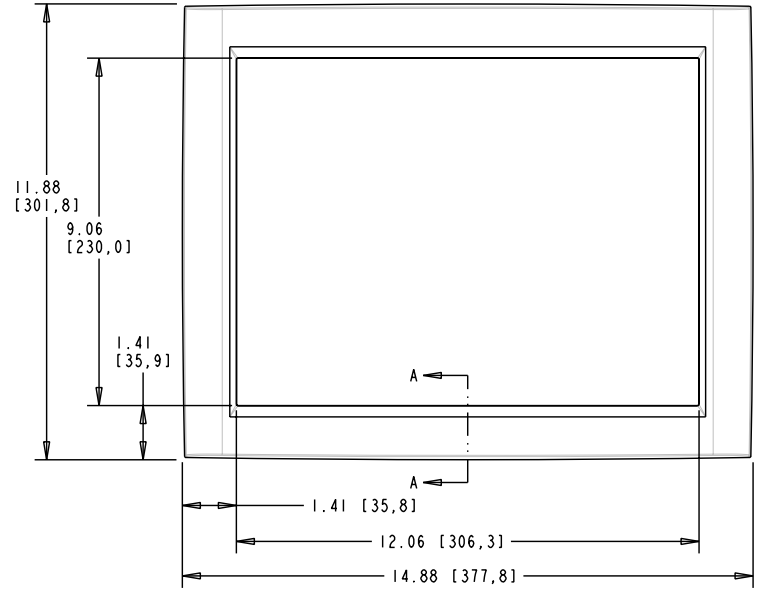
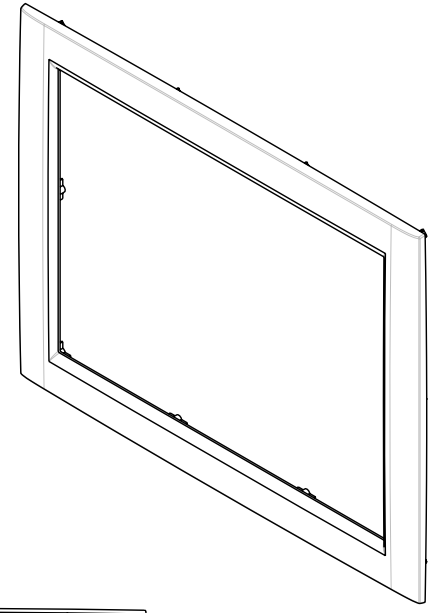
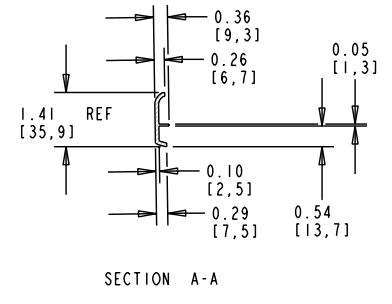
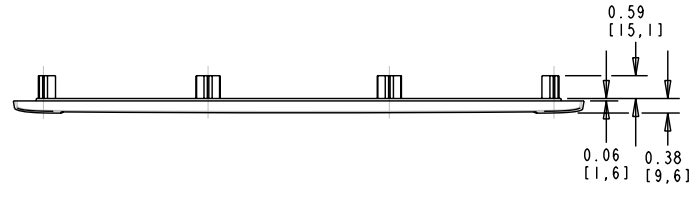
SEE DRAWING 29369  
CONTOUR FLANGED BEZEL

**MicroTouch**  
www.CT150monitor.com

UNITS	INCHES [MM]
TOLERANCES UNLESS OTHERWISE SPECIFIED	
.X	±0.1
.XX	±0.01
.XXX	±0.005
ANGLES	±0.5°
THIRD ANGLE PROJECTION	
DO NOT SCALE DRAWING	
SCALE	1 = 1

**3M** 3M TOUCH SYSTEMS  
METHUEN, MA  
USA  
© COPYRIGHT 2003  
THIS DOCUMENT IS COPYRIGHTED PROPERTY OF  
THE 3M COMPANY AND MAY NOT BE REPRODUCED  
WITHOUT 3M WRITTEN PERMISSION OR USED OR  
DISCLOSED FOR OTHER THAN 3M AUTHORIZED  
PURPOSES.

REV	INITIAL RELEASE PER ECO XXXXXX	XX/XX/XX	XX
REV	CHANGE NOTICE	DATE	DWG
TITLE			
<b>CT150 USB TOUCH MONITOR CONTOUR FLANGED BEZEL</b>			
CAD FORMAT		SHEET 1 OF 1	
SIZE	DOCUMENT NO.	REV	REV
C	1-71315-225-03		I



**MicroTouch**  
www.CT150monitor.com

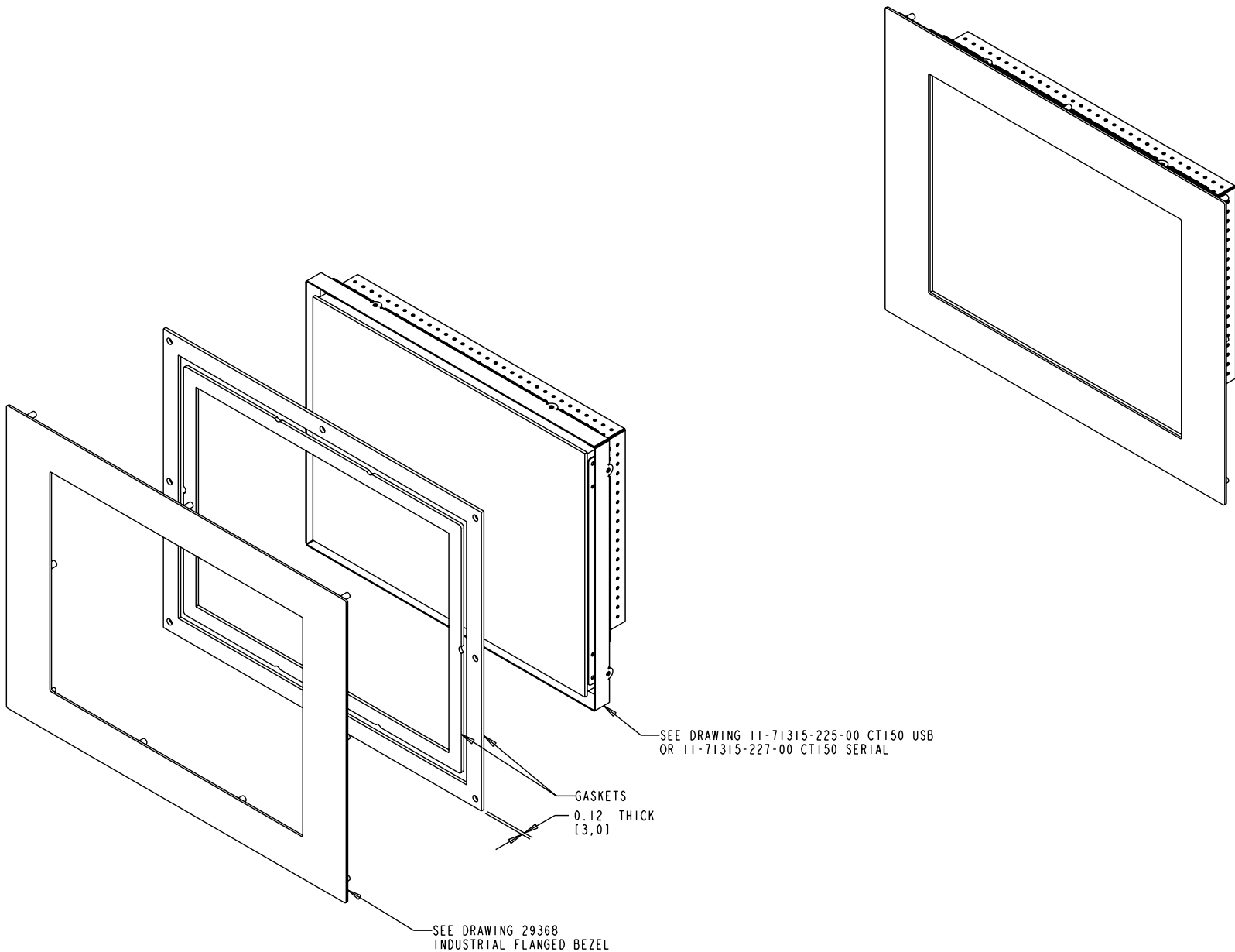
UNITS	INCHES [MM]
TOLERANCES UNLESS OTHERWISE SPECIFIED	
.X	± 0.1
.XX	± 0.01
.XXX	± 0.005
ANGLES	± 0.5°
THIRD ANGLE PROJECTION	
DO NOT SCALE DRAWING	
SCALE	1 = 1

**3M** 3M TOUCH SYSTEMS  
METHUEN, MA  
USA

© COPYRIGHT 2003  
THIS DOCUMENT IS COPYRIGHTED PROPERTY OF THE 3M COMPANY AND MAY NOT BE REPRODUCED WITHOUT 3M WRITTEN PERMISSION OR USED OR DISCLOSED FOR OTHER THAN 3M AUTHORIZED PURPOSES.

REV	INITIAL RELEASE PER ECO XXXXXX	XX/XX/XX	XX
REV	CHANGE NOTICE	DATE	DWG
TITLE			
<b>CT150 CONTOURED FLANGED BEZEL</b>			
CAD FORMAT	SHEET 1 OF 1		
SIZE	DOCUMENT NO.	REV	
C	29369	REV I	





**MicroTouch**  
www.CT150monitor.com

UNITS	INCHES [MM]
TOLERANCES UNLESS OTHERWISE SPECIFIED	
.X	±0.1
.XX	±0.01
.XXX	±0.005
ANGLES	±0.5°
THIRD ANGLE PROJECTION	
DO NOT SCALE DRAWING	
SCALE	1 = 1

**3M** 3M TOUCH SYSTEMS  
METHUEN, MA  
USA

© COPYRIGHT 2003  
THIS DOCUMENT IS COPYRIGHTED PROPERTY OF THE 3M COMPANY AND MAY NOT BE REPRODUCED WITHOUT 3M WRITTEN PERMISSION OR USED OR DISCLOSED FOR OTHER THAN 3M AUTHORIZED PURPOSES.

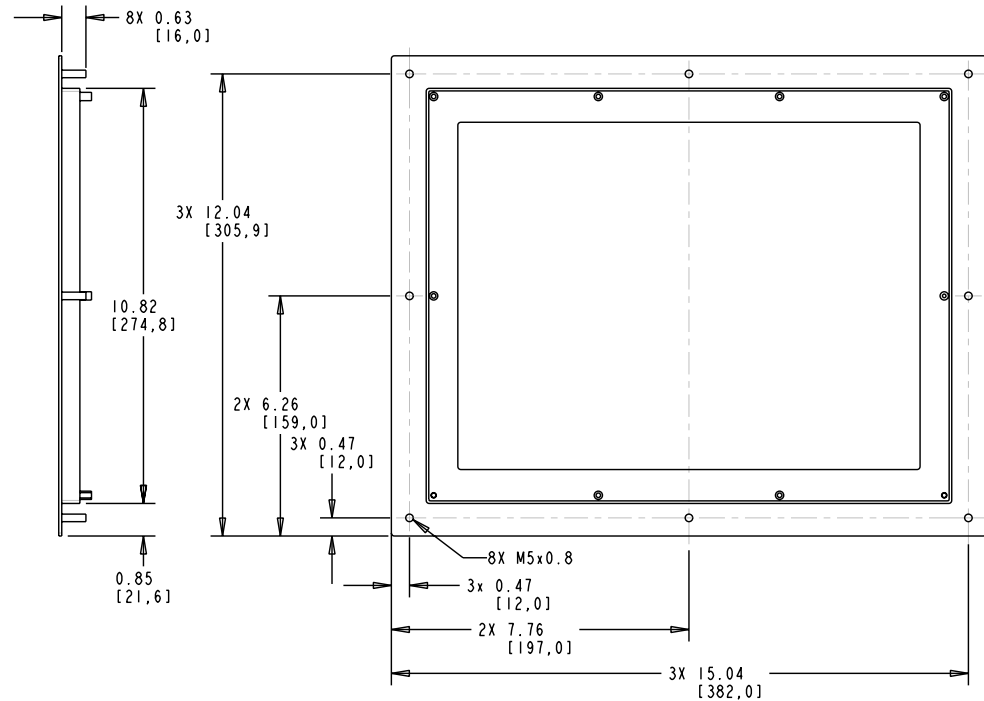
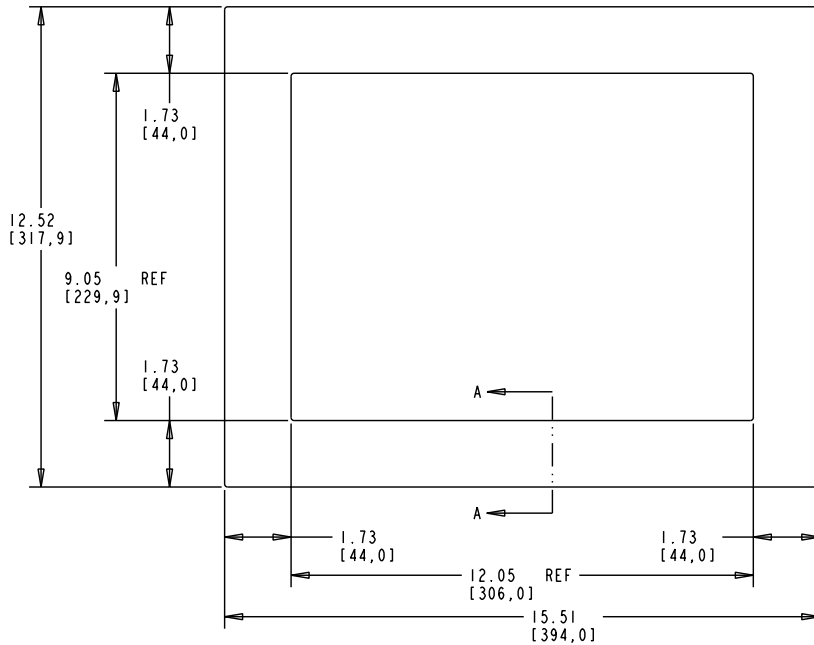
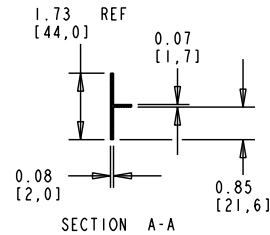
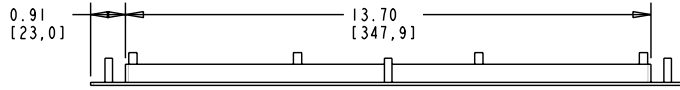
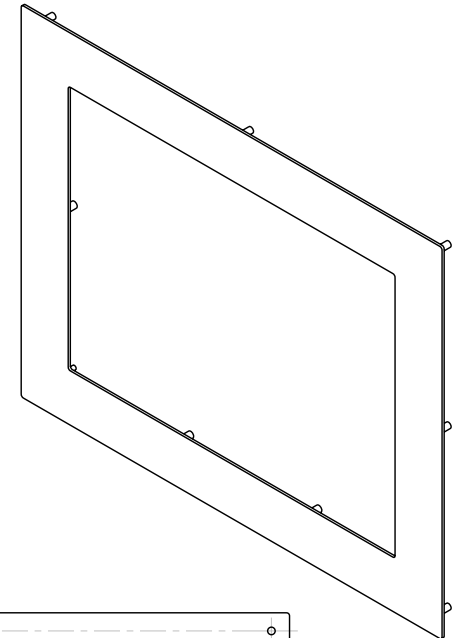
REV	INITIAL RELEASE PER ECO XXXXXX	XX/XX/XX	XX
REV	CHANGE NOTICE	DATE	DWG
TITLE			
<b>CT150 TOUCH MONITOR INDUSTRIAL BEZEL</b>			
CAD FORMAT	SHEET		1 OF 1
SIZE	DOCUMENT NO.	REV	REV 1

4

3

2

1



**MicroTouch**  
www.CT150monitor.com

UNITS	INCHES [MM]
TOLERANCES UNLESS OTHERWISE SPECIFIED	
.X	±0.1
.XX	±0.01
.XXX	±0.005
ANGLES	±0.5°
THIRD ANGLE PROJECTION	
DO NOT SCALE DRAWING	
SCALE	1 = 1

**3M** 3M TOUCH SYSTEMS  
METHUEN, MA  
USA  
© COPYRIGHT 2003  
THIS DOCUMENT IS COPYRIGHTED PROPERTY OF THE 3M COMPANY AND MAY NOT BE REPRODUCED WITHOUT 3M WRITTEN PERMISSION OR USED OR DISCLOSED FOR OTHER THAN 3M AUTHORIZED PURPOSES.

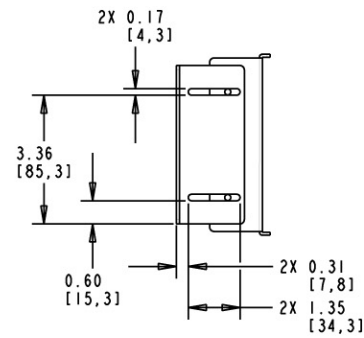
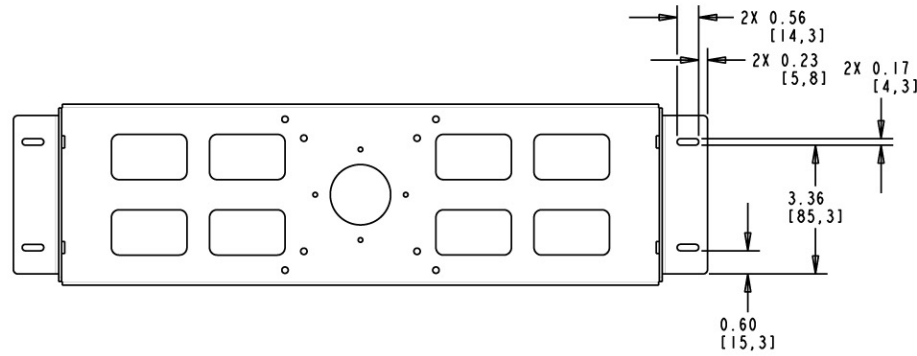
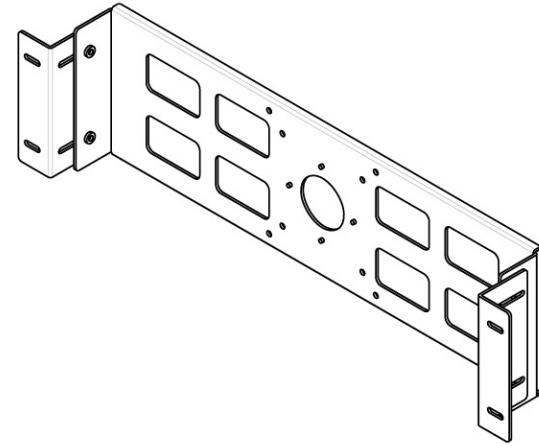
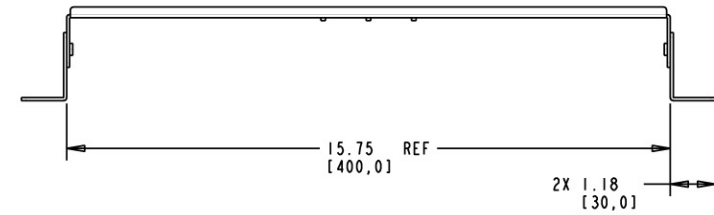
REV	INITIAL RELEASE PER ECO XXXXXX	XX/XX/XX	XX
REV	CHANGE NOTICE	DATE	DWG
TITLE			
<b>CT150 INDUSTRIAL FLANGED BEZEL</b>			
CAD FORMAT	SHEET 1 OF 1		
SIZE	DOCUMENT NO.	REV	
C	29368	REV I	

4

3

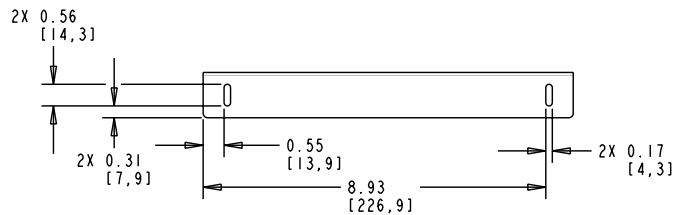
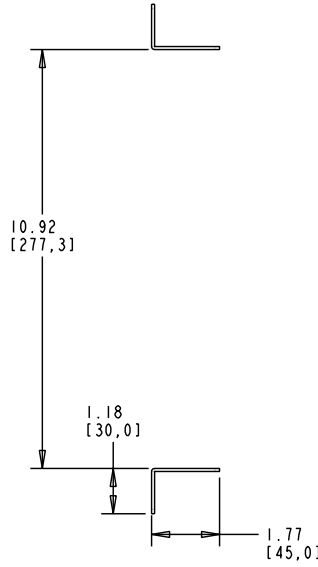
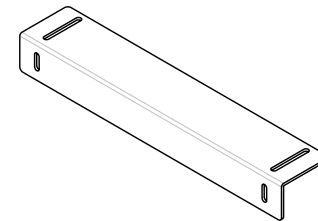
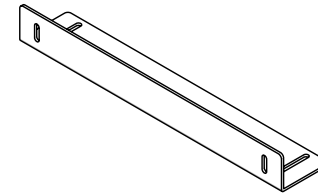
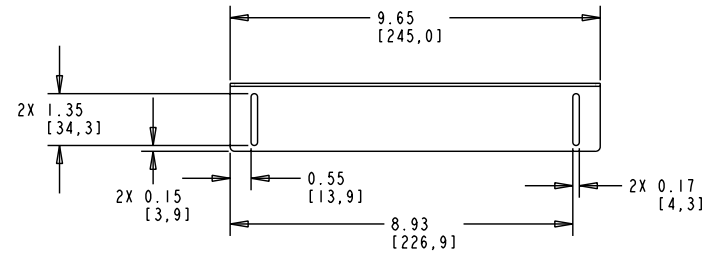
2

1



**MicroTouch**  
www.CT150monitor.com

UNITS INCHES [MM]		3M TOUCH SYSTEMS METHUEN, MA USA  <small>© COPYRIGHT 2003 THIS DOCUMENT IS COPYRIGHTED PROPERTY OF THE 3M COMPANY AND MAY NOT BE REPRODUCED WITHOUT 3M WRITTEN PERMISSION OR USED OR DISCLOSED FOR OTHER THAN 3M AUTHORIZED PURPOSES.</small>	REV INITIAL RELEASE PER ECO XXXXXX	XX/XX/XX
TOLERANCES UNLESS OTHERWISE SPECIFIED			REV CHANGE NOTICE	DATE
.X ±0.1			TITLE	
.XX ±0.01			HEAVY-DUTY MOUNTING BRACKET	
.XXX ±0.005			CAD FORMAT	
ANGLES ±0.5°			SHEET 1 OF 1	
THIRD ANGLE PROJECTION			SIZE	DOCUMENT NO.
DO NOT SCALE DRAWING			C	30113
SCALE 1 = 1				REV I



**MicroTouch**  
 www.CT150monitor.com

UNITS	INCHES [MM]
TOLERANCES UNLESS OTHERWISE SPECIFIED	
.X	± 0.1
.XX	± 0.01
.XXX	± 0.005
ANGLES	± 0.5°
THIRD ANGLE PROJECTION	
DO NOT SCALE DRAWING	
SCALE	1 = 1

**3M** 3M TOUCH SYSTEMS  
 METHUEN, MA  
 USA  
 © COPYRIGHT 2003  
 THIS DOCUMENT IS COPYRIGHTED PROPERTY OF THE 3M COMPANY AND MAY NOT BE REPRODUCED WITHOUT 3M WRITTEN PERMISSION OR USED OR DISCLOSED FOR OTHER THAN 3M AUTHORIZED PURPOSES.

REV	INITIAL RELEASE PER ECO XXXXXX	XX/XX/XX	XX
REV	CHANGE NOTICE	DATE	DWG
TITLE			
<b>MOUNTING BRACKET</b>			
CAD FORMAT		SHEET 1 OF 1	
SIZE	DOCUMENT NO.	REV	REV 1
C			