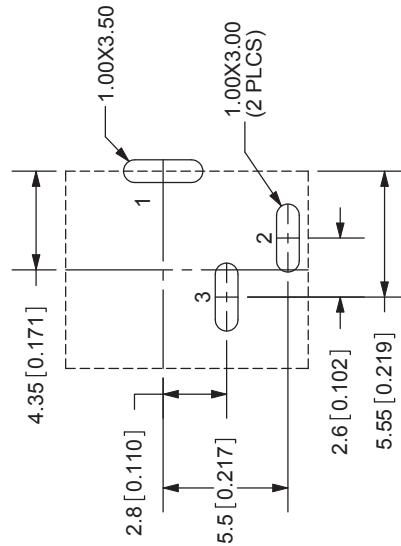
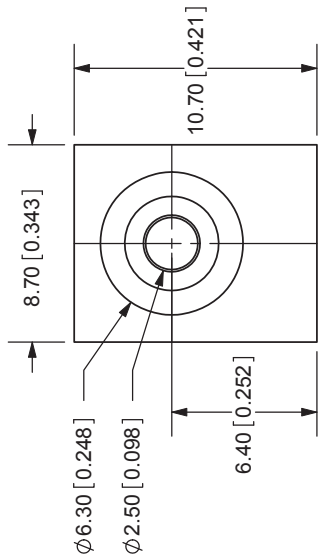
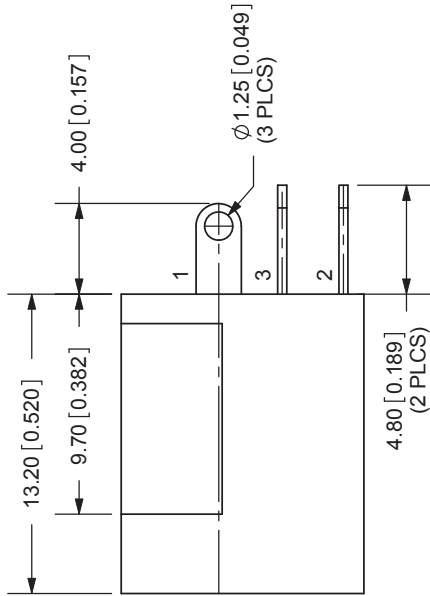
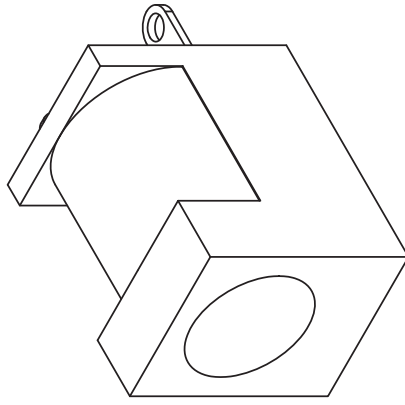


REV.	DESCRIPTION	DATE
A	NEW DRAWING	5/17/2006
B	hand soldering note added	4/23/2009



PCB LAYOUT
BACK VIEW

MODEL NO.	PJ-006B
SCHEMATIC	
CENTER PIN DIAMETER 2.5mm	



NOTE:
1. FOR HAND SOLDERING ONLY

TOLERANCE:
±0.3mm UNLESS OTHERWISE
SPECIFIED



20050 SW 112th Ave.
Tualatin, OR 97062
Phone: 503-612-2300
800-275-4899
Fax: 503-612-2383
Website: www.cui.com

SPECIFICATIONS:
RATING: 16V DC @ 2A
CONTACT RESISTANCE: 30m OHMS MAX
INSULATION RESISTANCE: 100M OHMS MIN: 500V DC
VOLTAGE WITHSTAND: 500V AC R.M.S. FOR 1 MINUTE
LIFE: 5,000 CYCLES
OPERATING TEMP: -20° ~ +85°C

MATERIAL	PLATING
CENTER PIN	Nickel
TERMINAL 1	Silver
TERMINAL 2	Silver
TERMINAL 3	Silver
HOUSING	PBT

TITLE:	DC POWER JACK	REV:	B
PART NO:	PJ-006B	UNITS:	MM [INCHES]
DRAWN BY:	ZRJ	APPROVED BY:	
		SCALE:	3:1