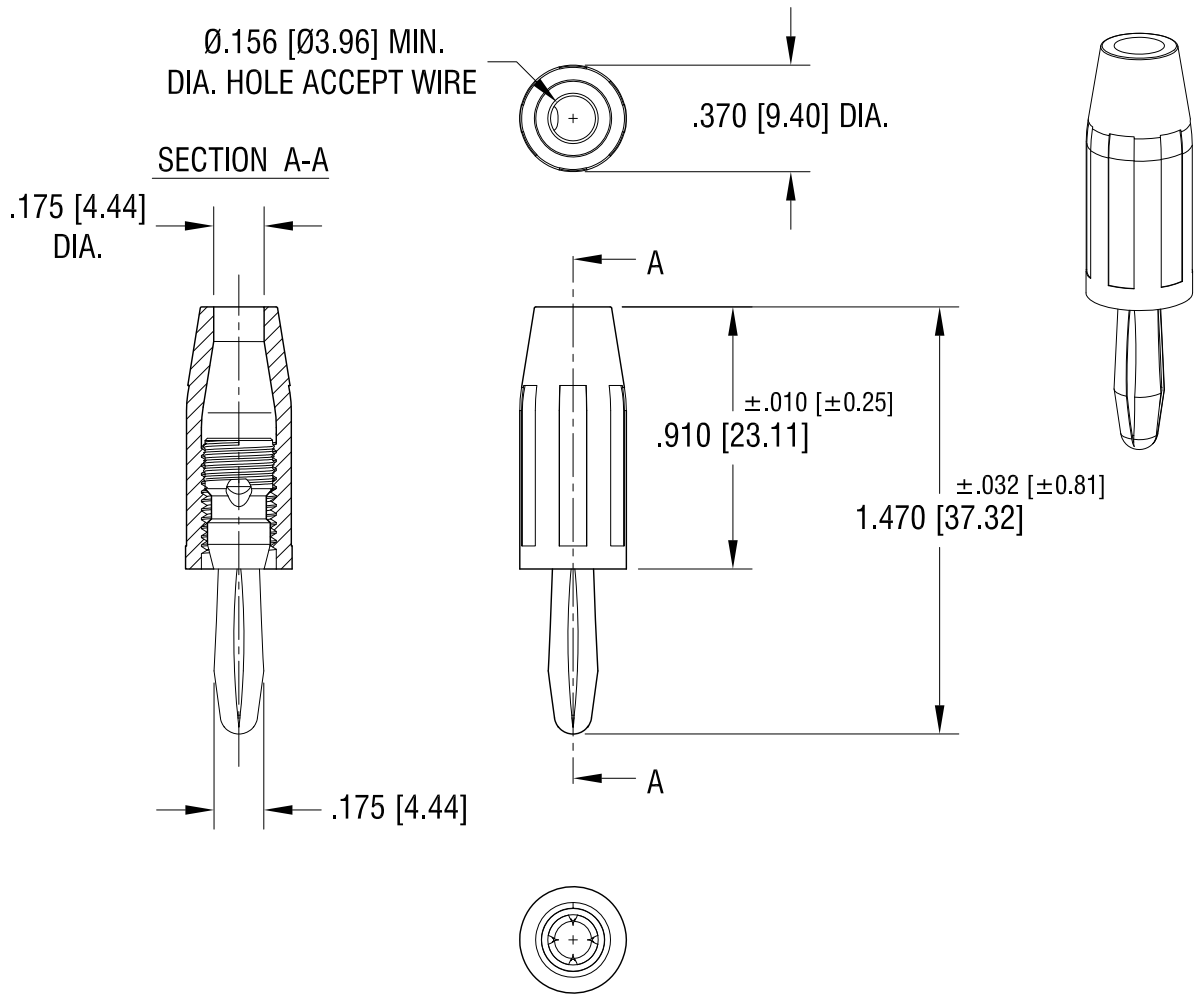


THIS DOCUMENT IS THE PROPERTY OF
KEYSTONE ELECTRONICS CORP. AND
SHALL NOT BE REPRODUCED, DISTRIBUTED
OR USED AS A BASIS FOR MANUFACTURE
WITHOUT PRIOR WRITTEN PERMISSION
FROM KEYSTONE ELECTRONICS CORP.



NOTES:
 1. SPRING: MAT'L - NICKEL SILVER
 BODY: MAT'L - BRASS
 FINISH - NICKEL PLATE
 HANDLE: MAT'L - NYLON

PART NO.	COLOR
6078	RED
6079	BLACK

KEYSTONE ELECTRONICS CORP.
 www.keyelco.com • ASTORIA, N.Y. 11105-2017 • Tel (718) 956-8900

PART NAME
BANANA PLUG, SOLDERLESS CONNECTION

MATERIAL
AS NOTED

FINISH AS NOTED	DRN BY BOONE	DATE 1.16.06
	APP'D LN	SCALE 1.5X

TOLERANCES INCH [MM]
 DECIMAL $\pm .005$ [± 0.13]
 ANGULAR \pm
 UNLESS OTHERWISE SPECIFIED

CODE
C/M

DWG NO.
6078-6079

5.11.12	CHANGE AS PER ECN 12-059	A
DATE	DESCRIPTION	REV.