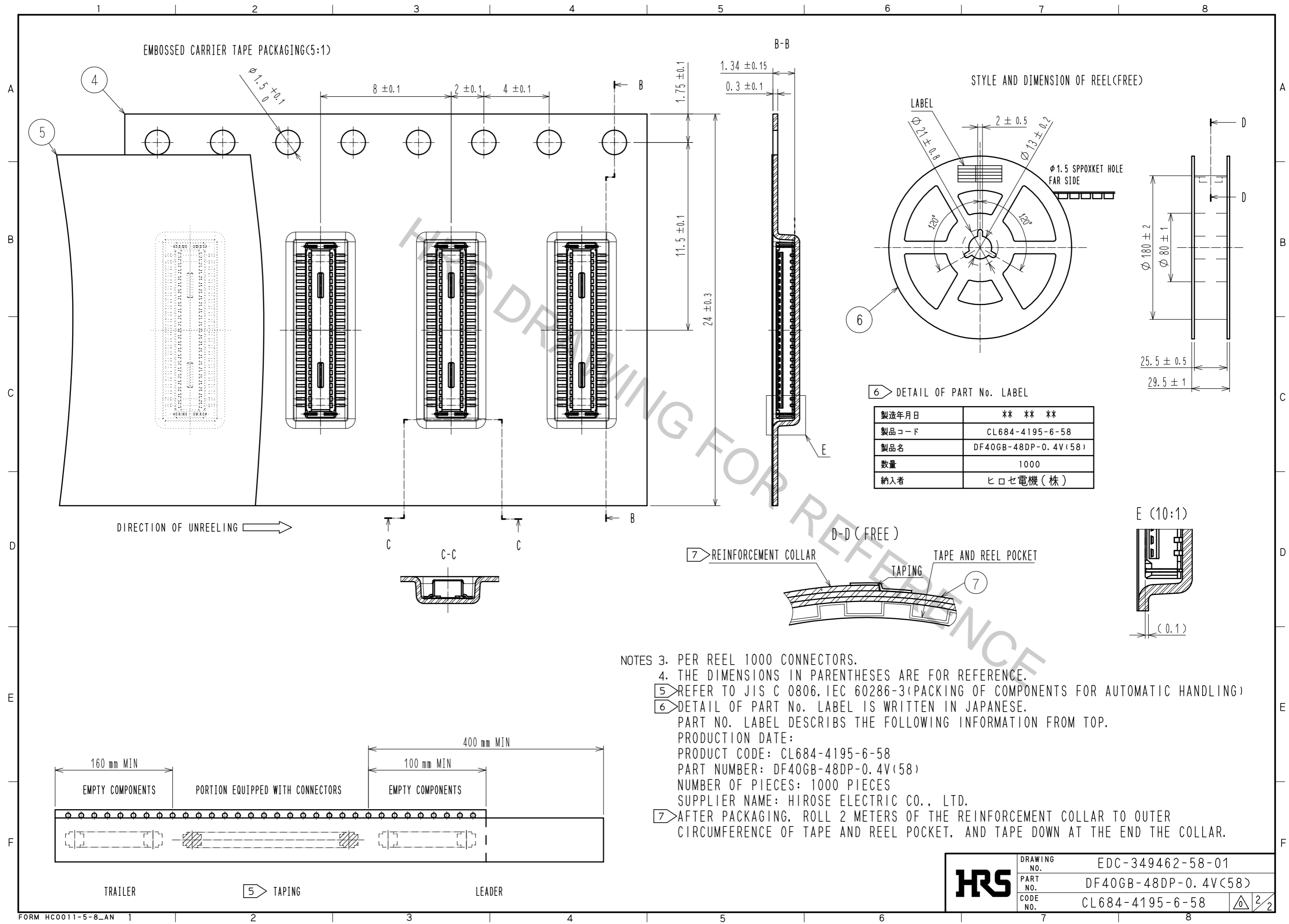


7	PS	CLEAR(REINFORCEMENT COLLAR)
6	PS	BLACK(PLASTIC REEL)
5	POLYESTER	CLEAR(COVER TAPE)
4	PS	CLEAR(EMBOSSED CARRIER TAPE)
3	PHOSPHOR BRONZE	CONTACT AREA: Au 0.05 μm MIN SMT LEAD: Au 0.05 μm MIN UNDERPLATING: NICKEL 1 μm MIN
2	PHOSPHOR BRONZE	CONTACT AREA: Au 0.05 μm MIN SMT LEAD: Au 0.05 μm MIN UNDERPLATING: NICKEL 1 μm MIN
1	LCP	BLACK, UL94V-0

NO.	MATERIAL	FINISH	REMARKS	NO.	MATERIAL	FINISH	REMARKS
7	PS		CLEAR(REINFORCEMENT COLLAR)	7	PS		CLEAR(REINFORCEMENT COLLAR)
6	PS		BLACK(PLASTIC REEL)	6	PS		BLACK(PLASTIC REEL)
5	POLYESTER		CLEAR(COVER TAPE)	5	POLYESTER		CLEAR(COVER TAPE)
4	PS		CLEAR(EMBOSSED CARRIER TAPE)	4	PS		CLEAR(EMBOSSED CARRIER TAPE)
3	PHOSPHOR BRONZE		CONTACT AREA: Au 0.05 μm MIN SMT LEAD: Au 0.05 μm MIN UNDERPLATING: NICKEL 1 μm MIN	3	PHOSPHOR BRONZE		CONTACT AREA: Au 0.05 μm MIN SMT LEAD: Au 0.05 μm MIN UNDERPLATING: NICKEL 1 μm MIN
2	PHOSPHOR BRONZE		CONTACT AREA: Au 0.05 μm MIN SMT LEAD: Au 0.05 μm MIN UNDERPLATING: NICKEL 1 μm MIN	2	PHOSPHOR BRONZE		CONTACT AREA: Au 0.05 μm MIN SMT LEAD: Au 0.05 μm MIN UNDERPLATING: NICKEL 1 μm MIN
1	LCP		BLACK, UL94V-0	1	LCP		BLACK, UL94V-0

UNITS	mm	SCALE	10 : 1	COUNT	DESCRIPTION OF REVISIONS	DESIGNED	CHECKED	DATE
APPROVED		MO. ISHIDA		15.07.01		DRAWING NO. EDC-349462-58-01		
CHECKED		TS. MIYAZAKI		15.07.01		PART NO. DF40GB-48DP-0.4V(58)		
DESIGNED		SH. HOSODA		15.07.01		CODE NO. CL684-4195-6-58		
DRAWN		KR. AJITO		15.07.01		1/2		



EMBOSSED CARRIER TAPE PACKAGING(5:1)

STYLE AND DIMENSION OF REEL(FREE)

6 DETAIL OF PART No. LABEL

製造年月日	** ** *
製品コード	CL684-4195-6-58
製品名	DF40GB-48DP-0.4V(58)
数量	1000
納入者	ヒロセ電機(株)

- NOTES
3. PER REEL 1000 CONNECTORS.
 4. THE DIMENSIONS IN PARENTHESES ARE FOR REFERENCE.
 - 5 REFER TO JIS C 0806, IEC 60286-3(PACKING OF COMPONENTS FOR AUTOMATIC HANDLING)
 - 6 DETAIL OF PART No. LABEL IS WRITTEN IN JAPANESE.
PART No. LABEL DESCRIBES THE FOLLOWING INFORMATION FROM TOP.
PRODUCTION DATE:
PRODUCT CODE: CL684-4195-6-58
PART NUMBER: DF40GB-48DP-0.4V(58)
NUMBER OF PIECES: 1000 PIECES
SUPPLIER NAME: HIROSE ELECTRIC CO., LTD.
 - 7 AFTER PACKAGING, ROLL 2 METERS OF THE REINFORCEMENT COLLAR TO OUTER CIRCUMFERENCE OF TAPE AND REEL POCKET, AND TAPE DOWN AT THE END THE COLLAR.

HRS	DRAWING NO.	EDC-349462-58-01
	PART NO.	DF40GB-48DP-0.4V(58)
	CODE NO.	CL684-4195-6-58
		2/2